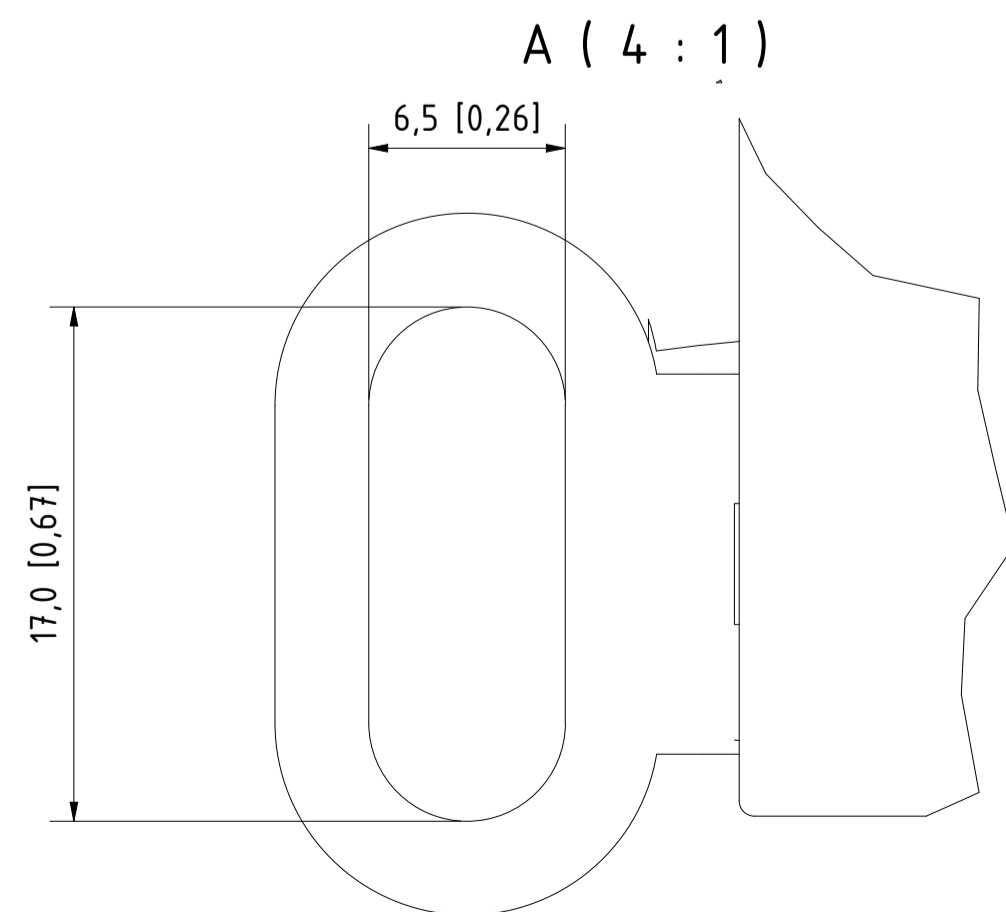
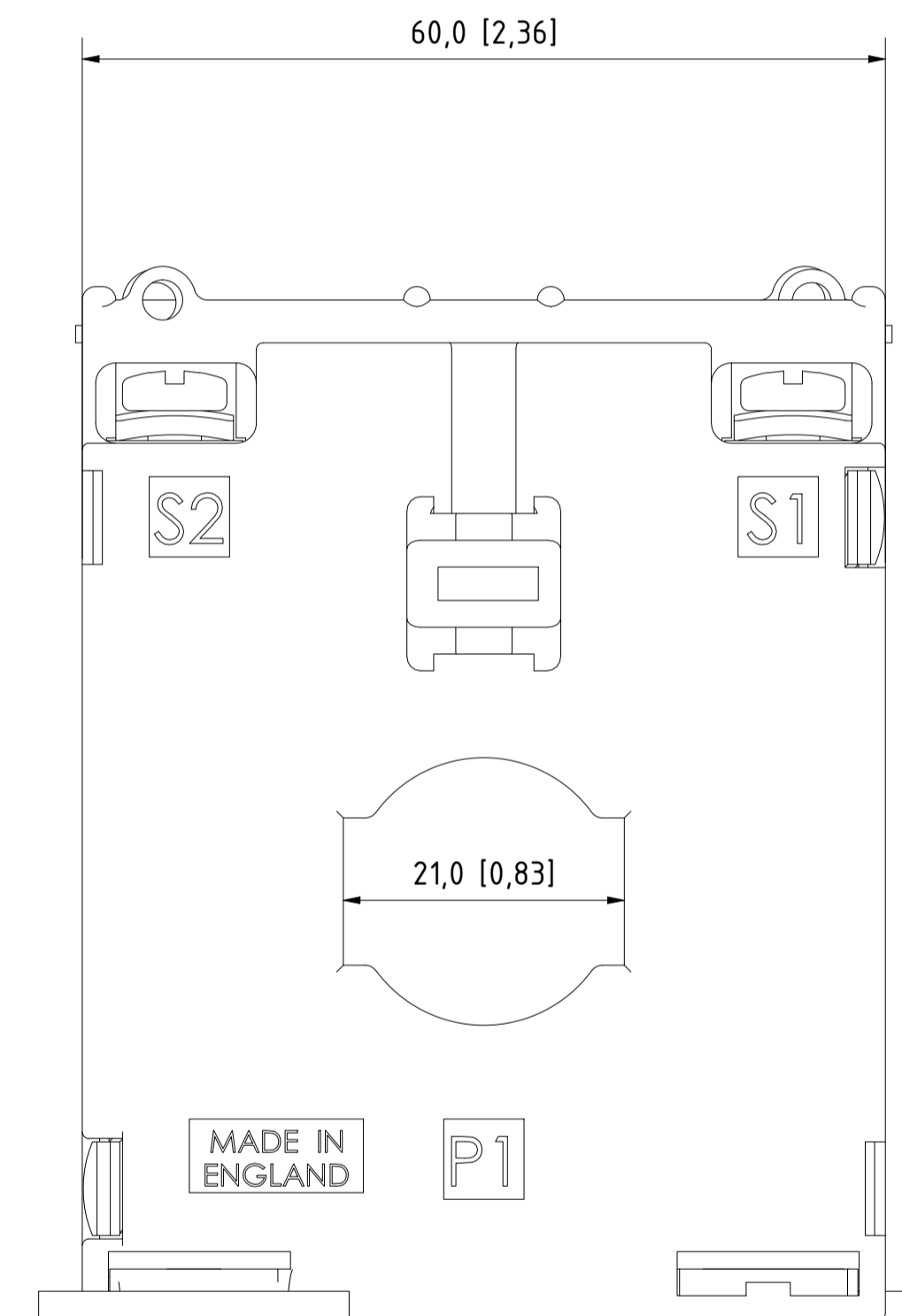
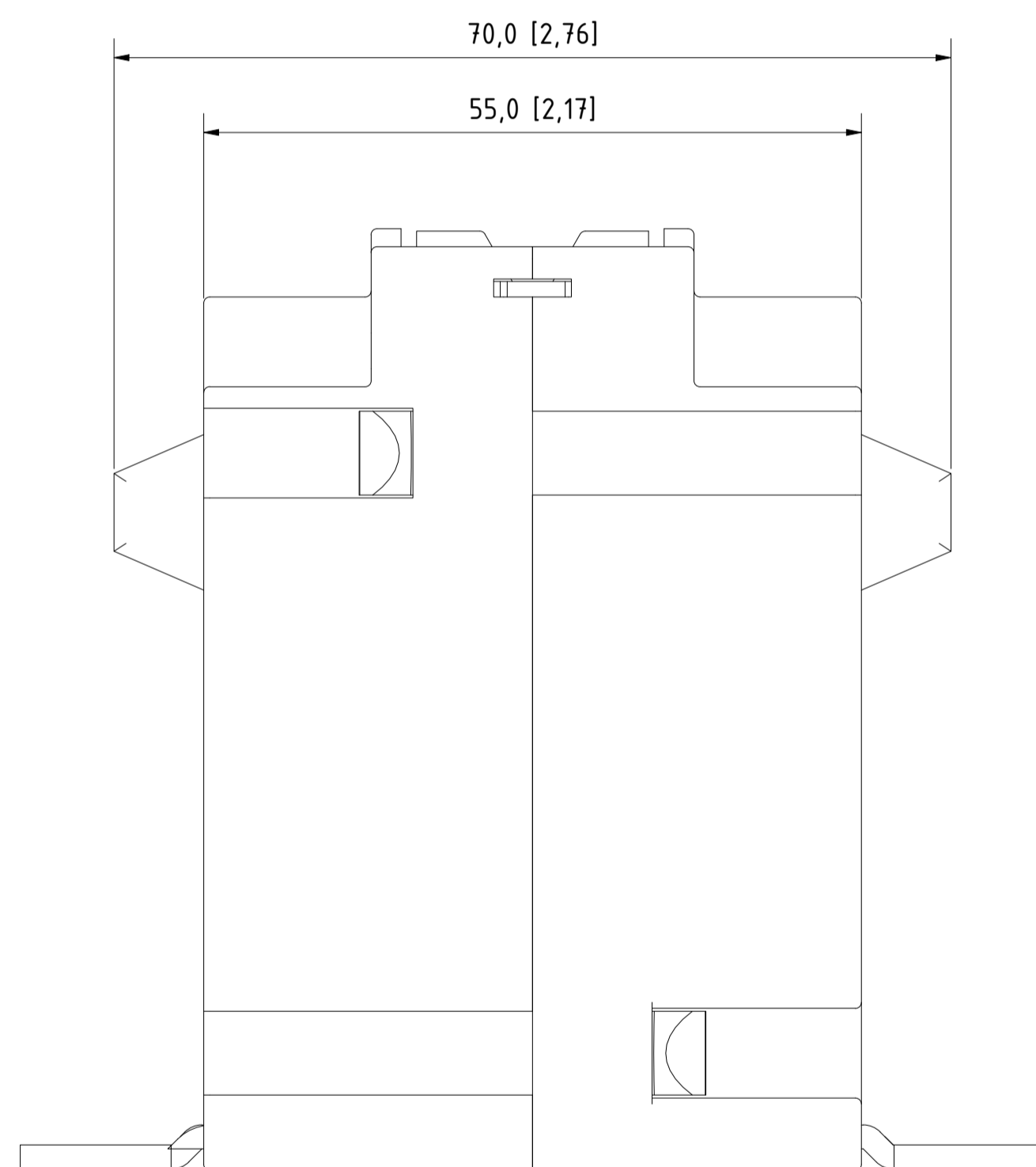
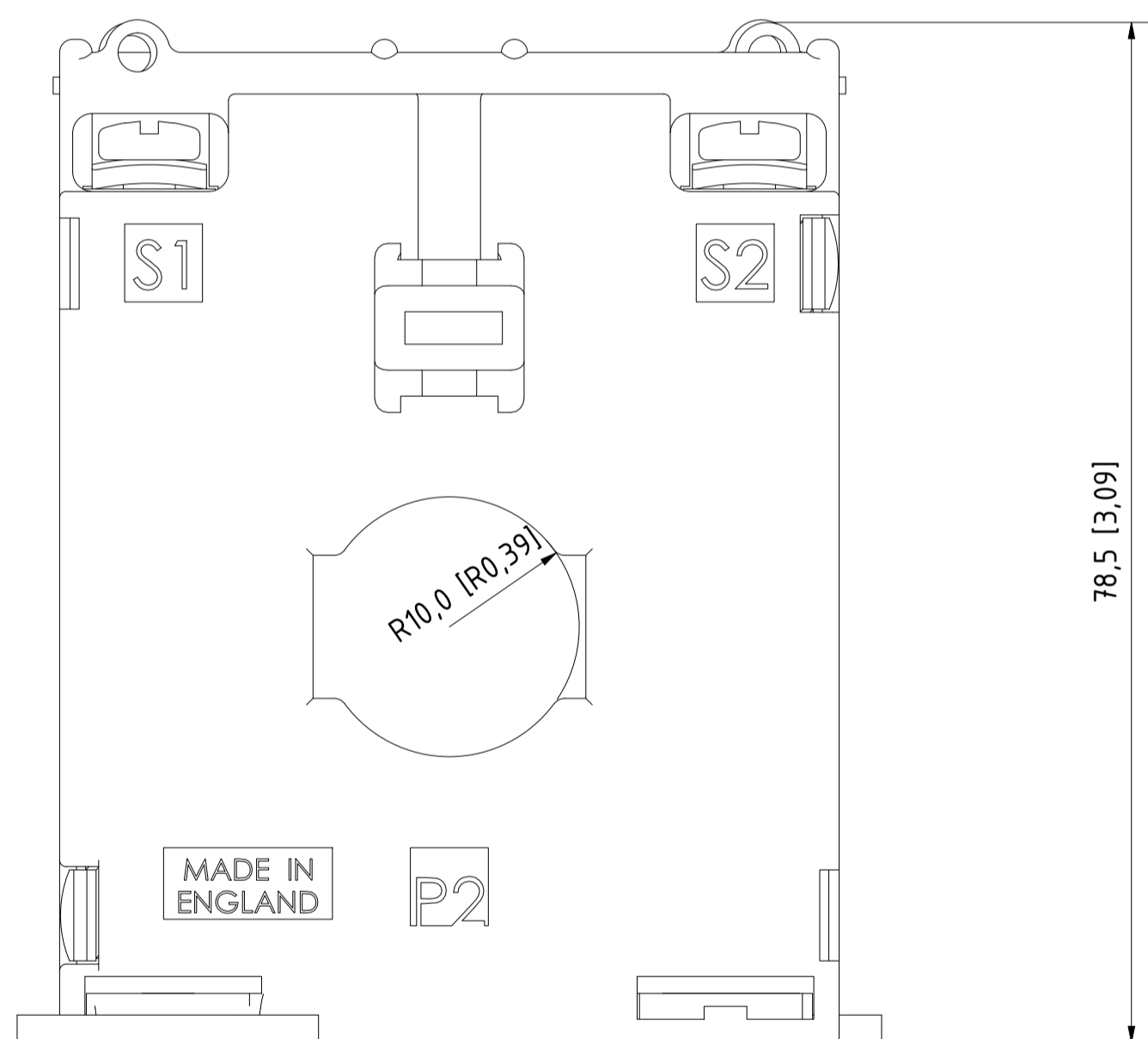
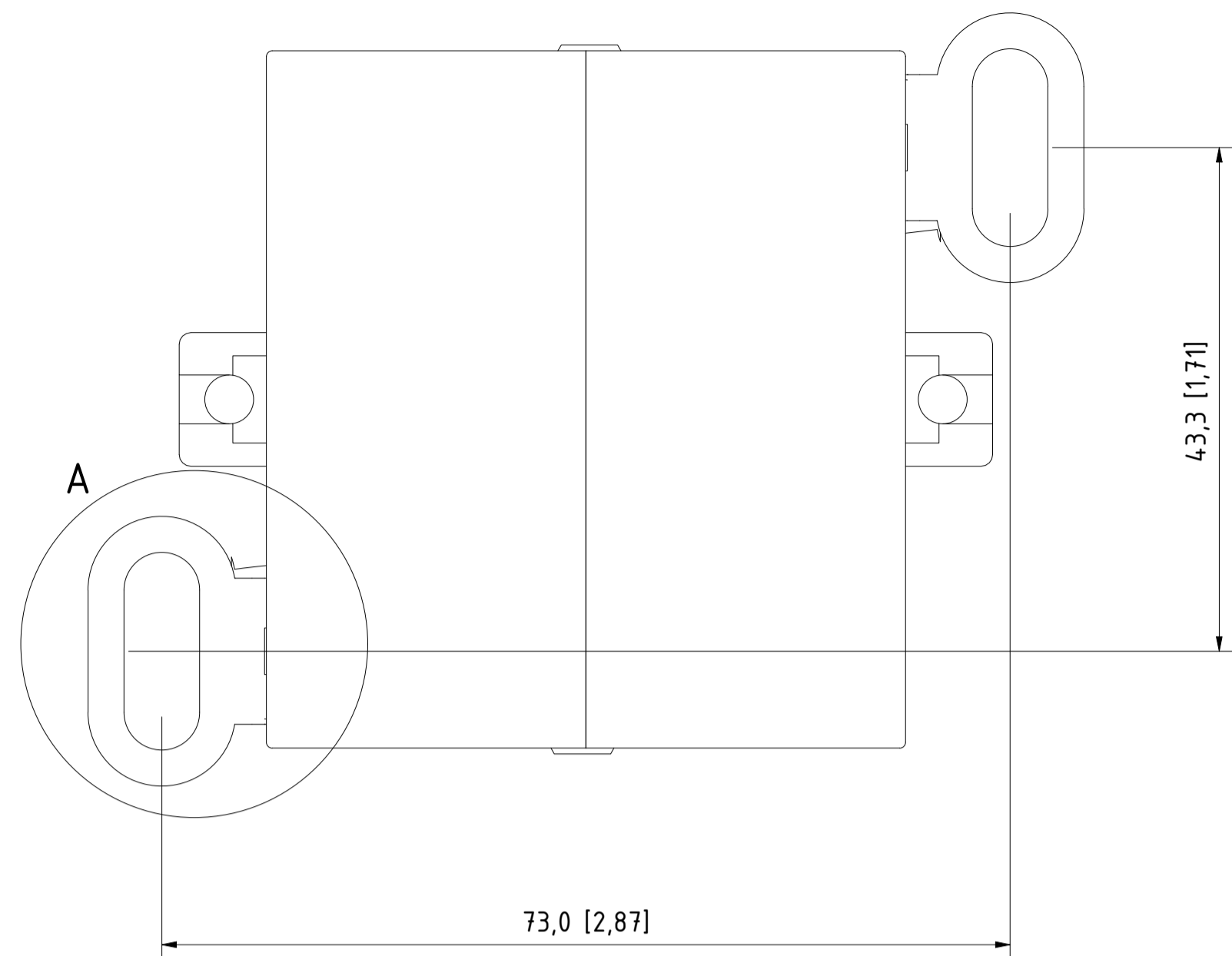


12 11 10 9 8 7 6 5 4 3 2 1

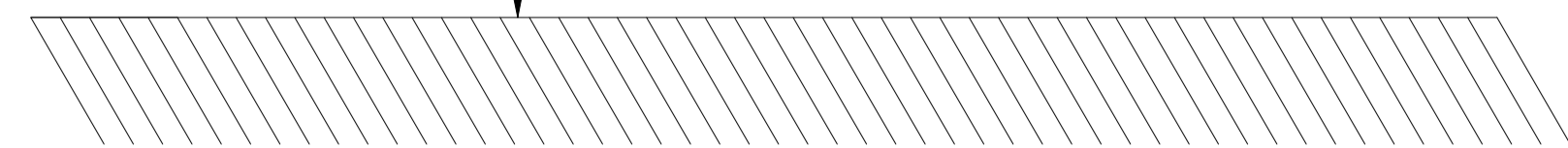
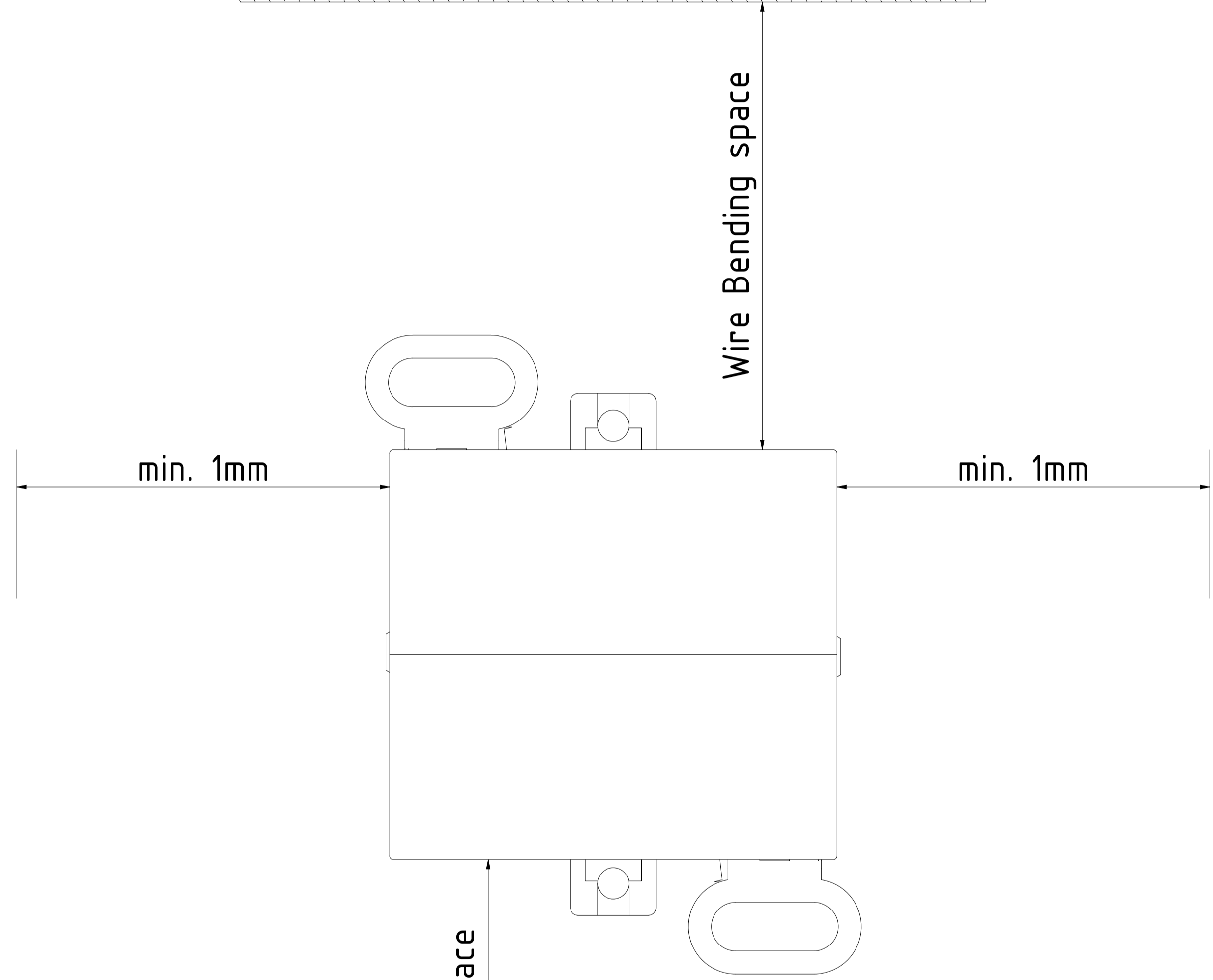
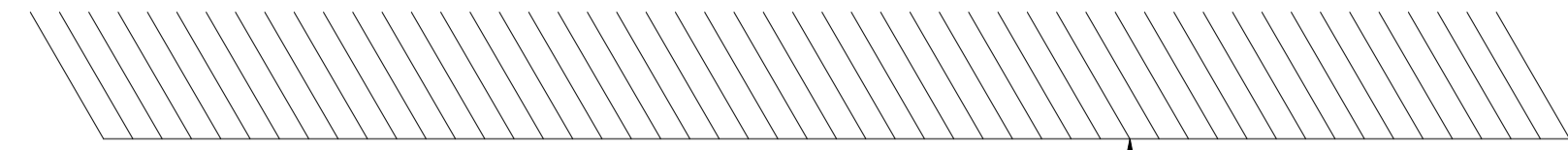
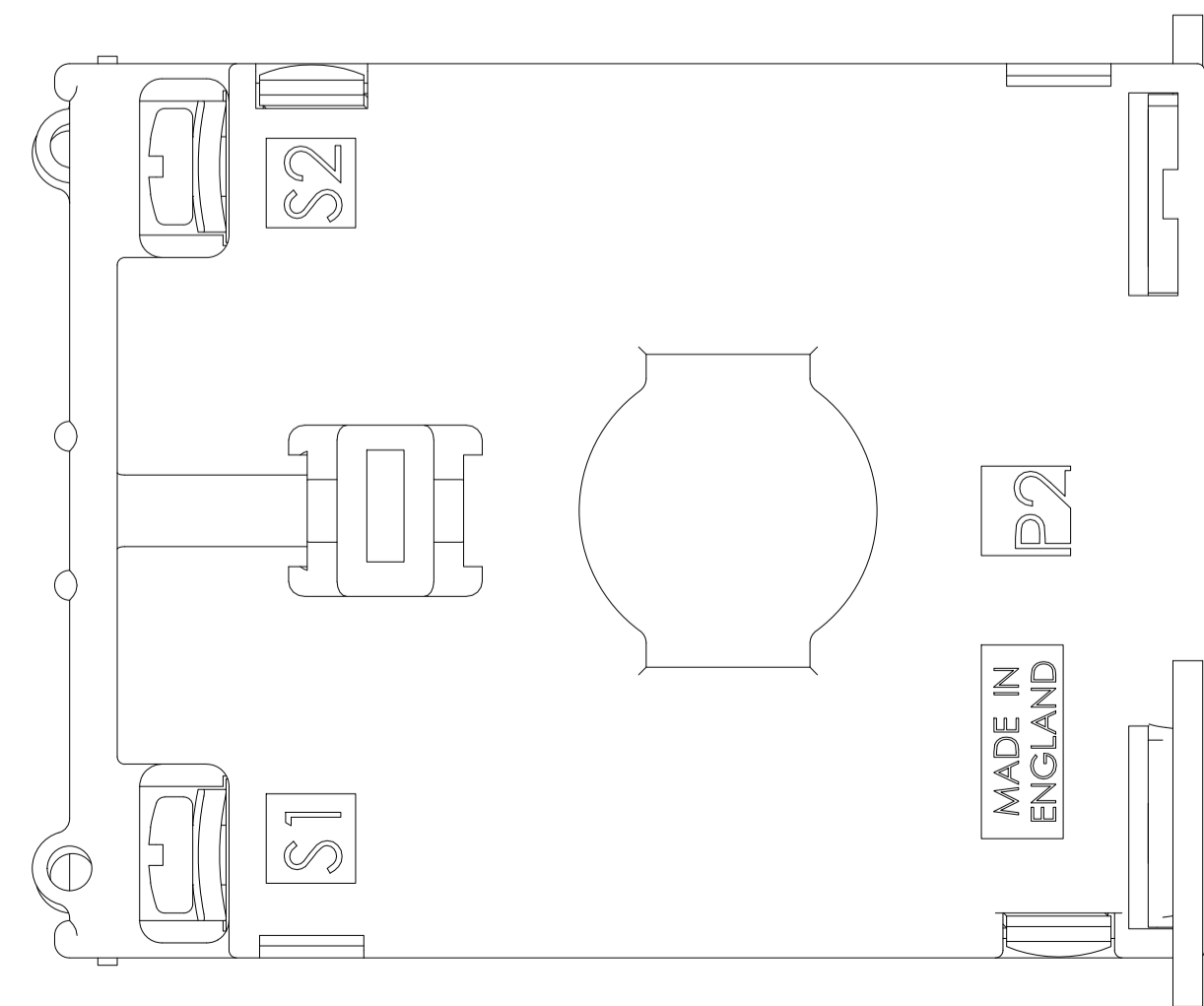
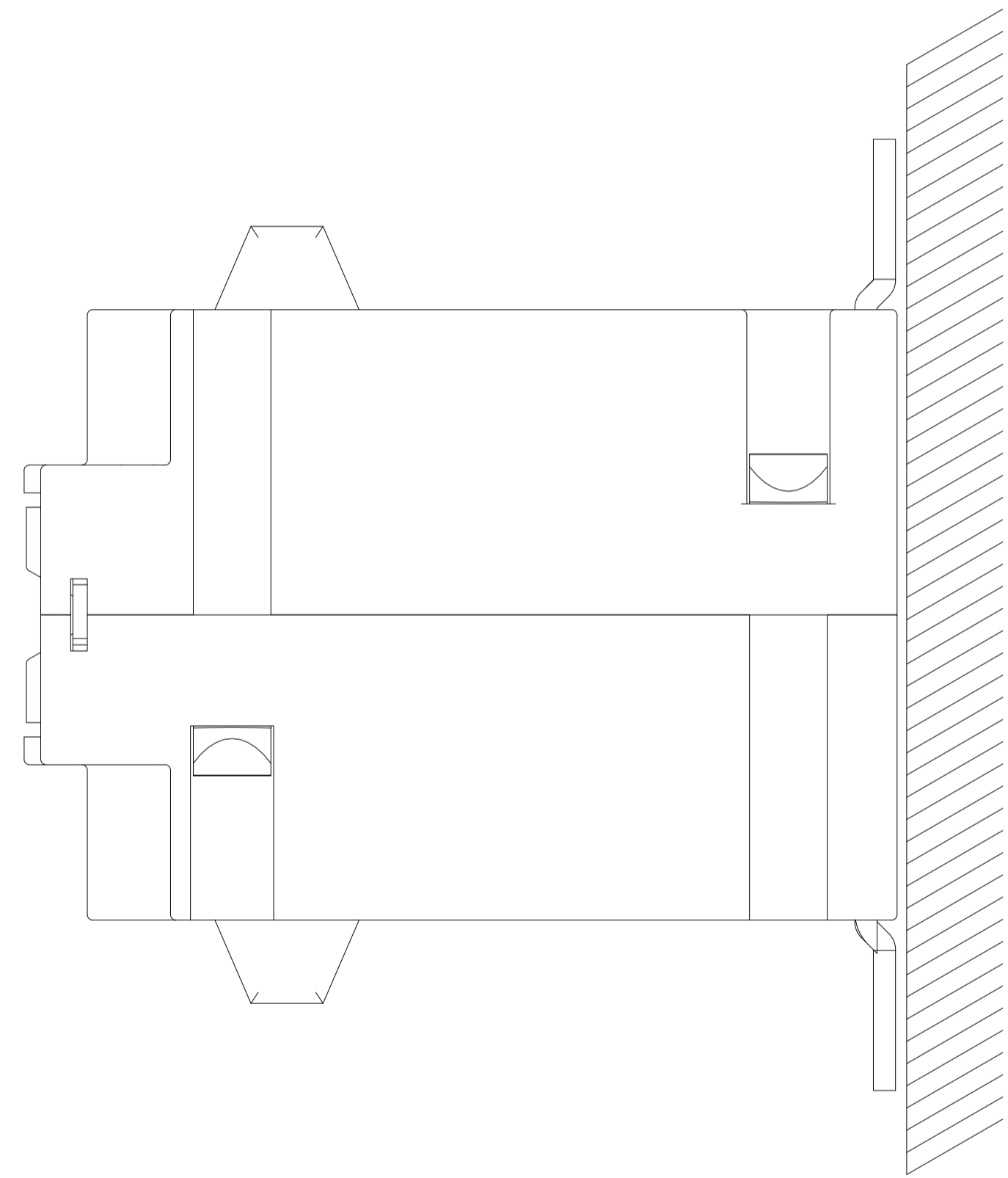
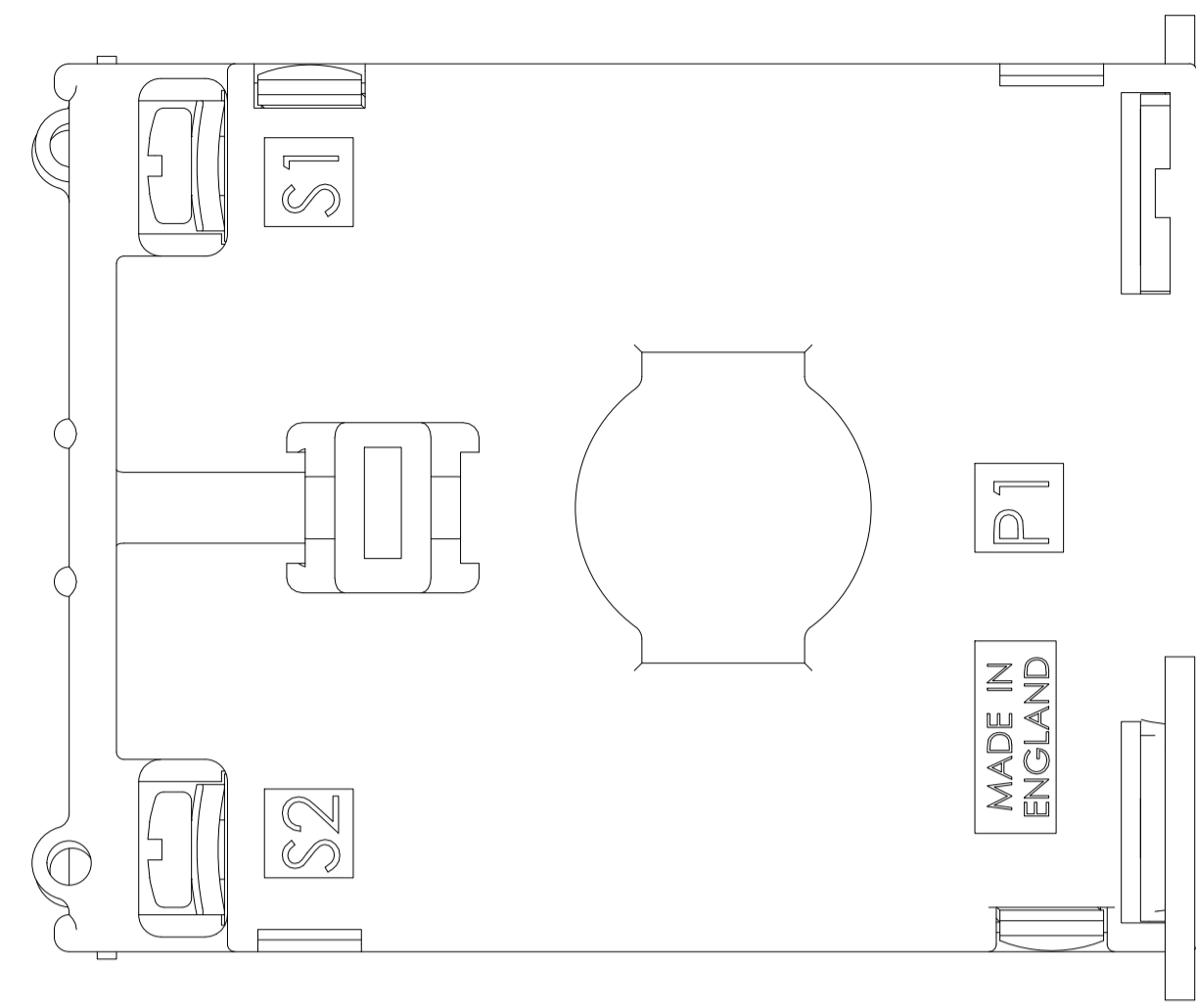
Type	Value
IP Class	IP20
UL Type	Open
Enclosure Colour	red
Frame Size	CT 1



Tolerances					
Dimension [mm]	<250	250>x>800	>800	parts in series	folded parts
Tolerance [mm]	+/-1	+/-2.5	+/-4	+/-2.5	+/-2.5

ALL DIMENSIONS ARE IN MILLIMETERS (INCH)		Projection	Scale		
			2:1		
	DATUM	Name			
	Gezeichnet	2022-10-13	FR		
	Kontrolliert			CT 1	
	Name				
			136c0111		
			REV 001		
			Size A1		
Status	Änderungen	DATUM	Name		
				Sheet 1 of 4	

12 11 10 9 8 7 6 5 4 3 2 1



ALL DIMENSIONS ARE IN MILLIMETERS (INCH)		Projection	Scale	
			2:1	
Gezeichnet	DATUM	Name		
Kontrolliert	2022-10-13	FR		
			CT 1	
			136c0111	REV 001
Status	Änderungen	DATUM	Name	Size A1
		3		Sheet 2 of 4

