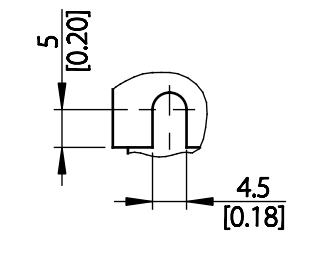
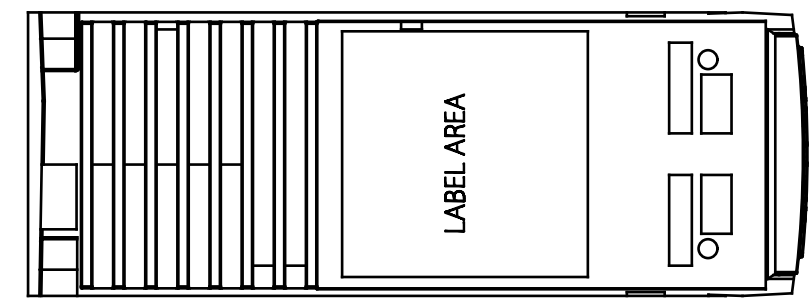
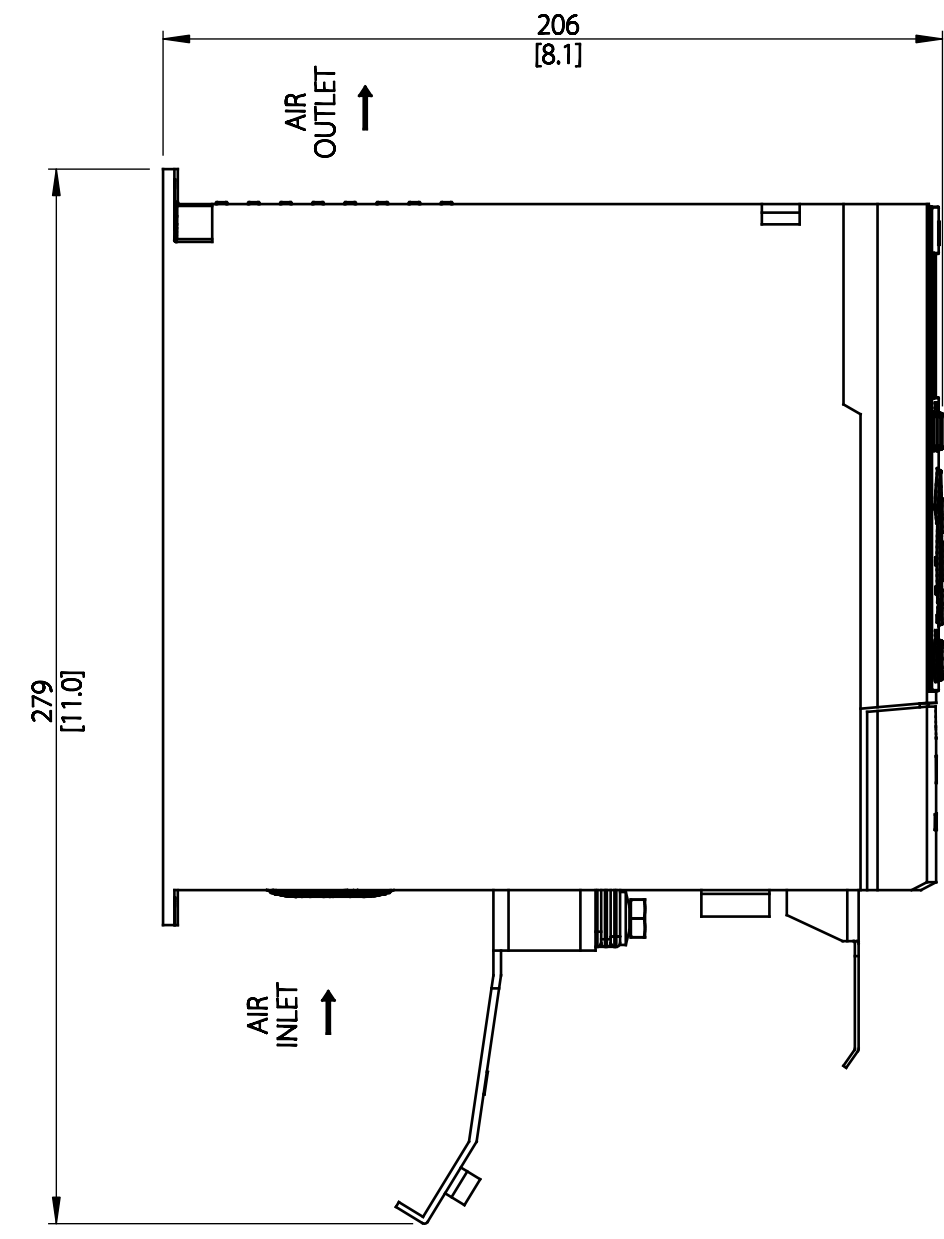
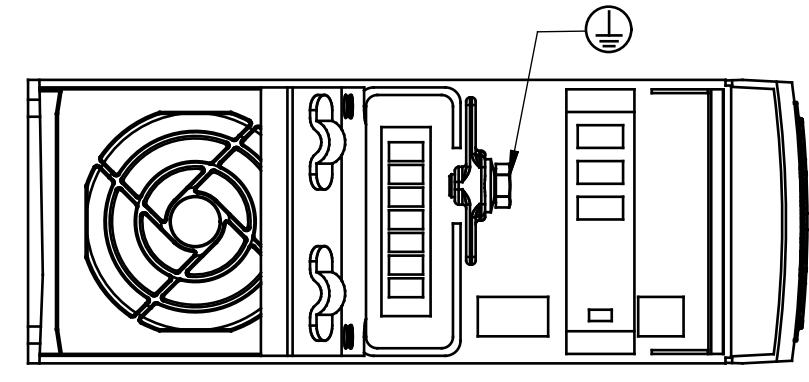
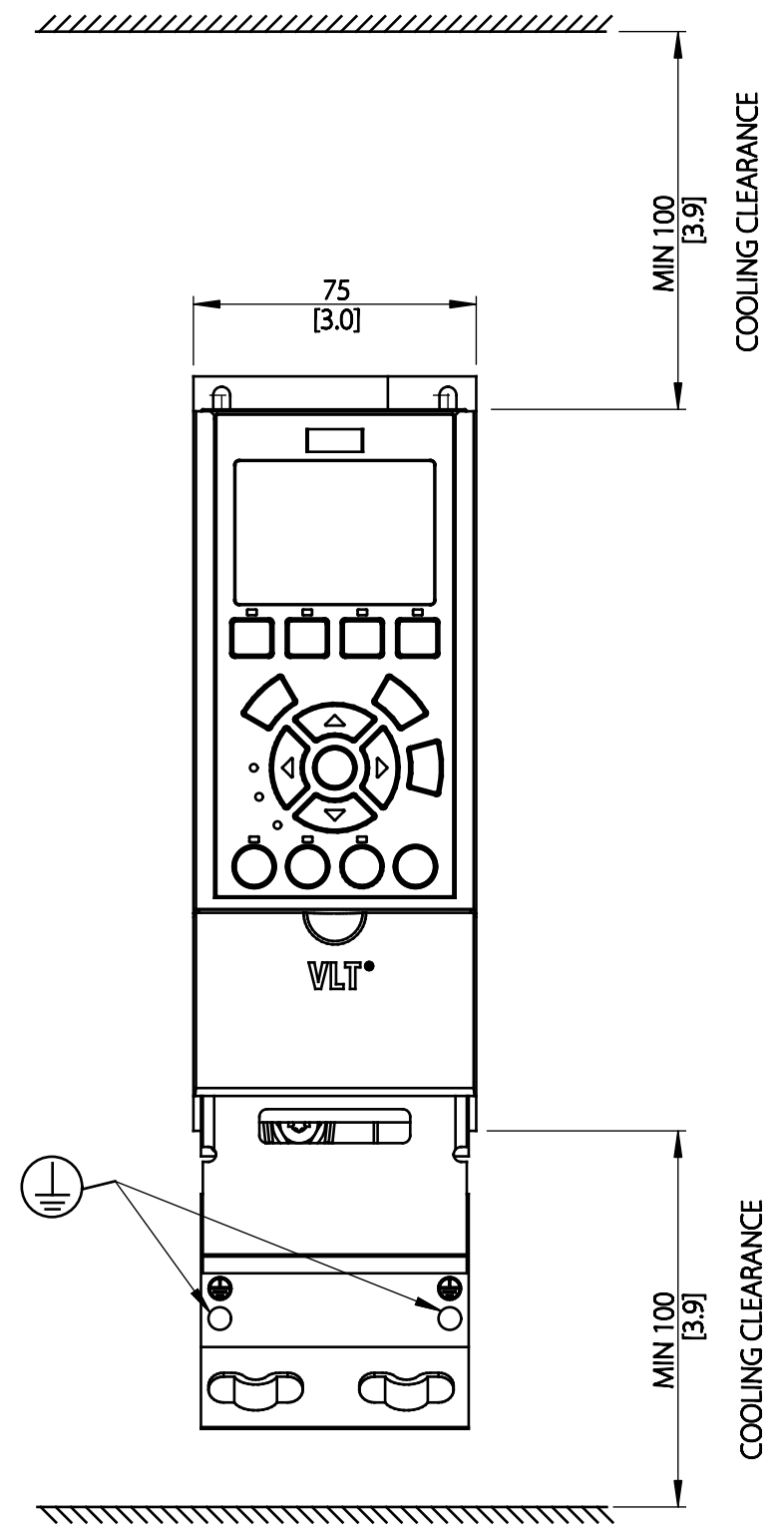
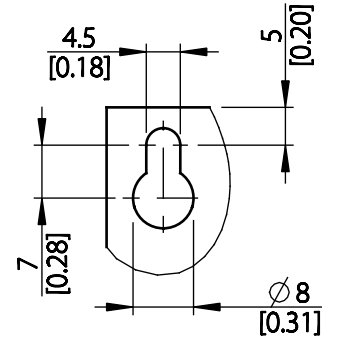


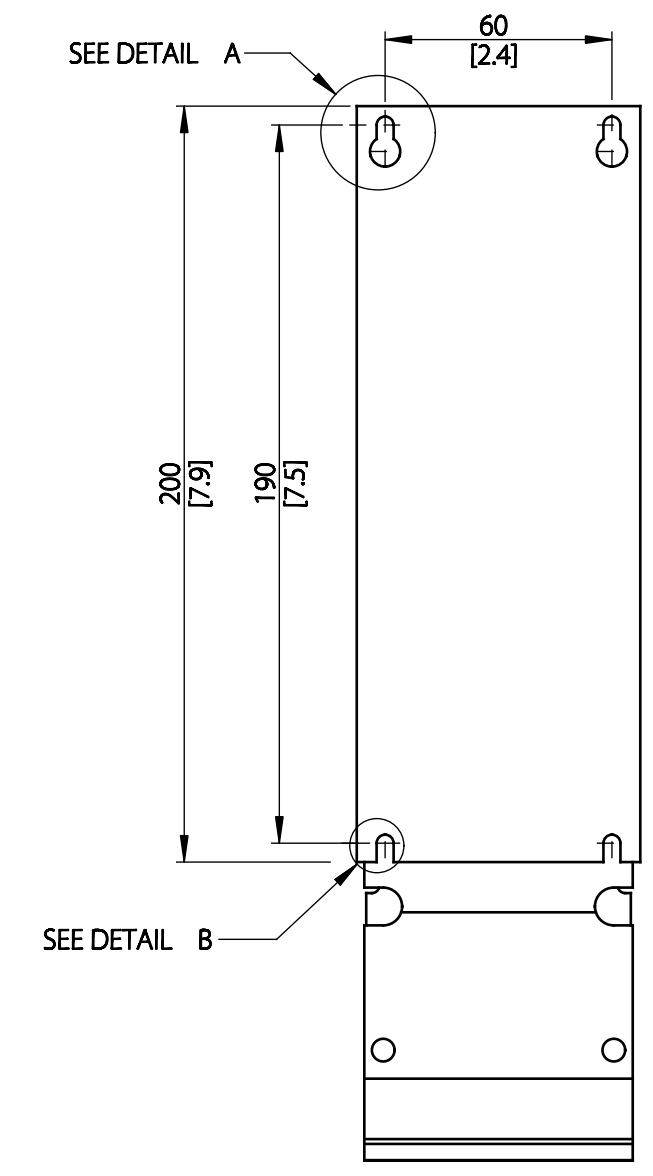
Type	Value
Max Weight	2.8 kg / 6.2 lb
IP Class	IP20
Nema Class	CHASSIS



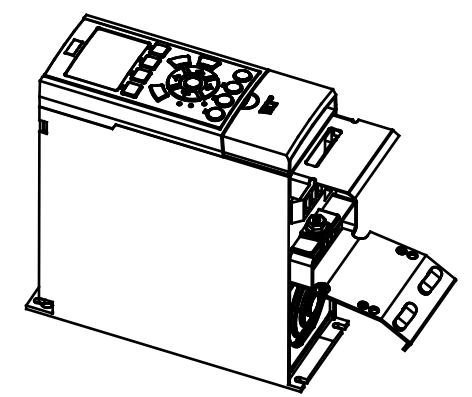
DETAIL B  
SCALE 1:1



DETAIL A  
SCALE 1:1



MOUNTING BASE



THIS DRAWING SHOWS THE MOST COMMON VERSION OF THIS PRODUCT VARIANT.  
SMALL DIFFERENCES MAY OCCUR DEPENDING ON THE FINAL PRODUCT CONFIGURATION.

CENTER OF GRAVITY:  
FOR REFERENCE ONLY, THE PRODUCT CONFIGURATION MAY INFLUENCE THE CG IN ALL THREE AXES.

UNLESS OTHERWISE SPECIFIED THE TOLERANCE IS $\pm 1$ MM [0.4 INCH]. ALL DIMENSIONS ARE IN MILLIMETERS [INCH]			FIRST ANGLE PROJECTION	SCALE 1:2	DRAWING SIZE A2	MATERIAL	
						FINISH	
						DESCRIPTION	
CHANGED						MCAD A1 IP20	
DESIGNED	DANFOSS	27-11-2015					
CHECKED						DRIVING NUMBER	
			PROPERTY OF DANFOSS A/S NORDBOG, DENMARK. TWO OR THREE DIMENSIONAL REPRODUCTION OF CONTENTS TO BE AUTHORIZED BY DANFOSS A/S.			MCAD-A1-IP20	
						REV 001	
						MODEL MCAD-A1-IP20	
						SHEET 1 OF 1	