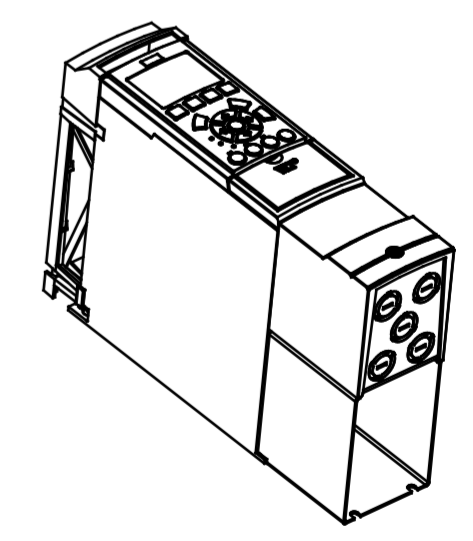
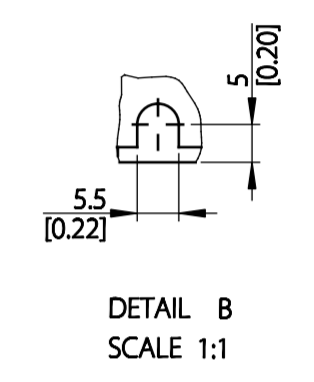
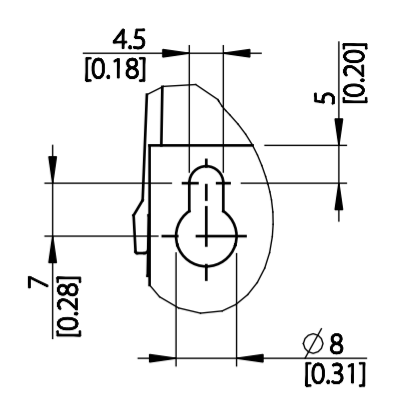
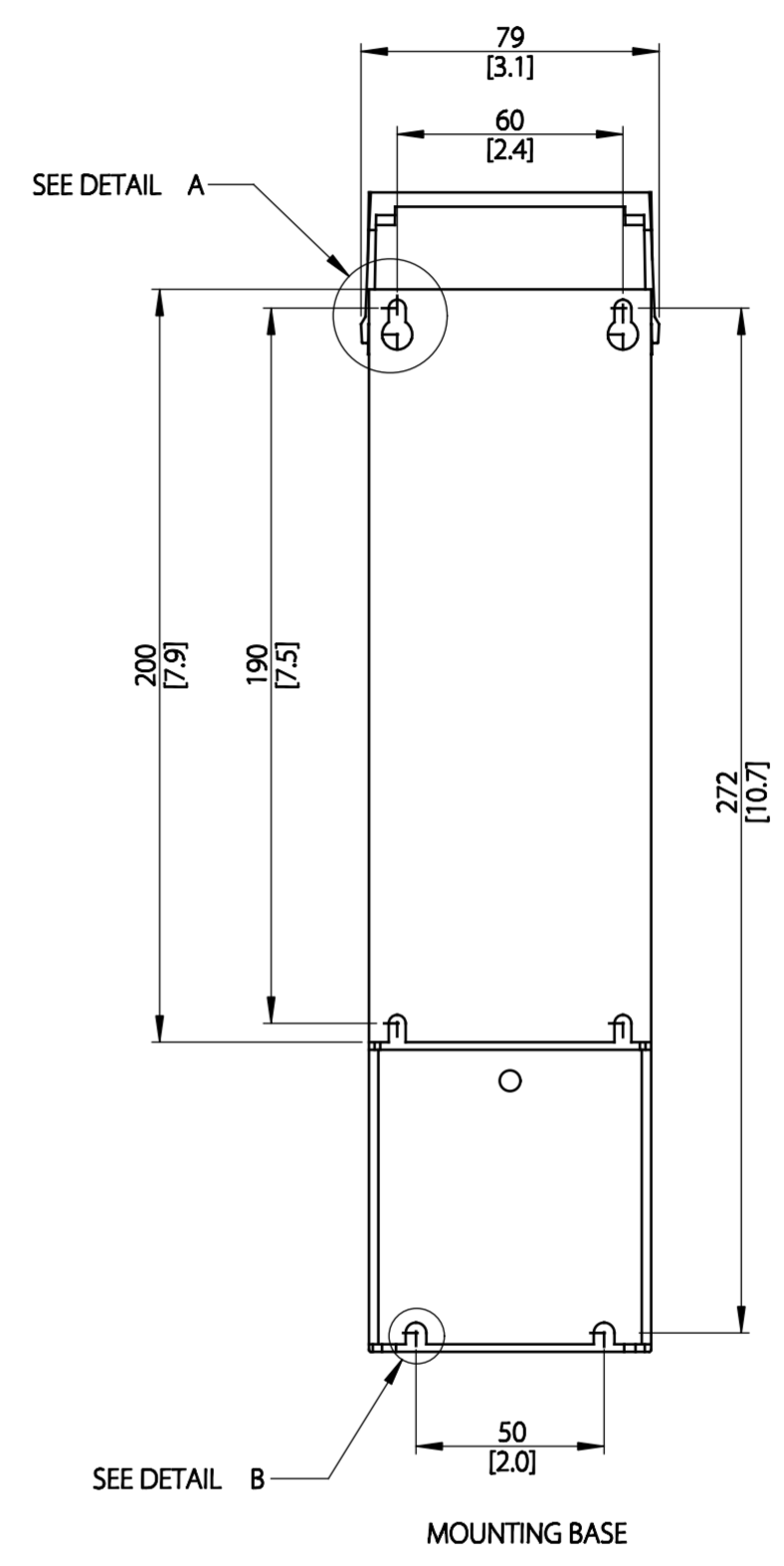
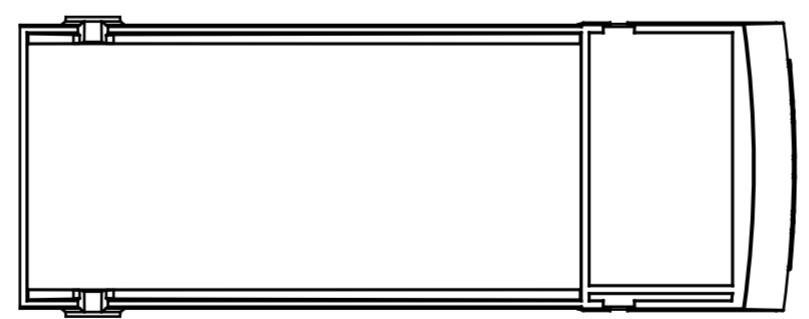
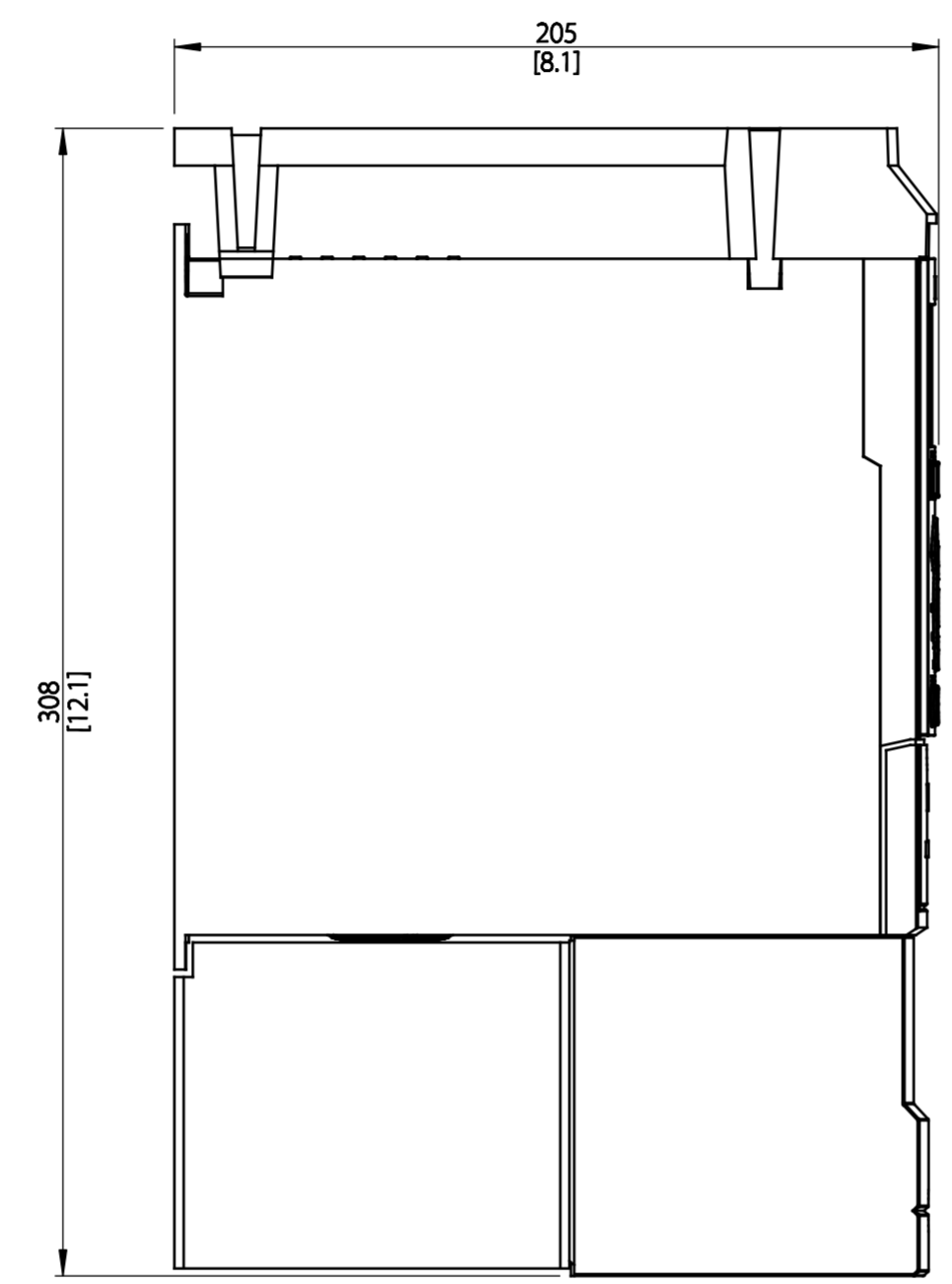
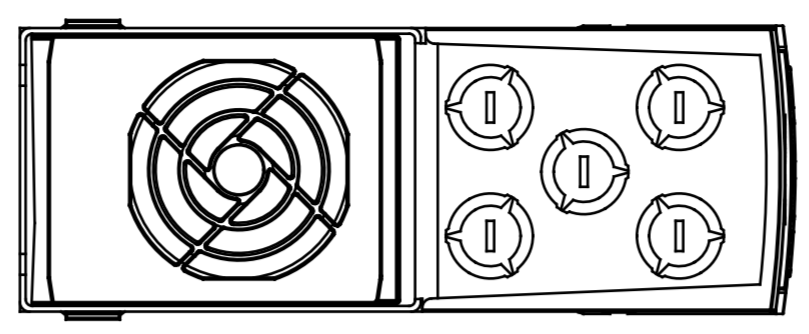
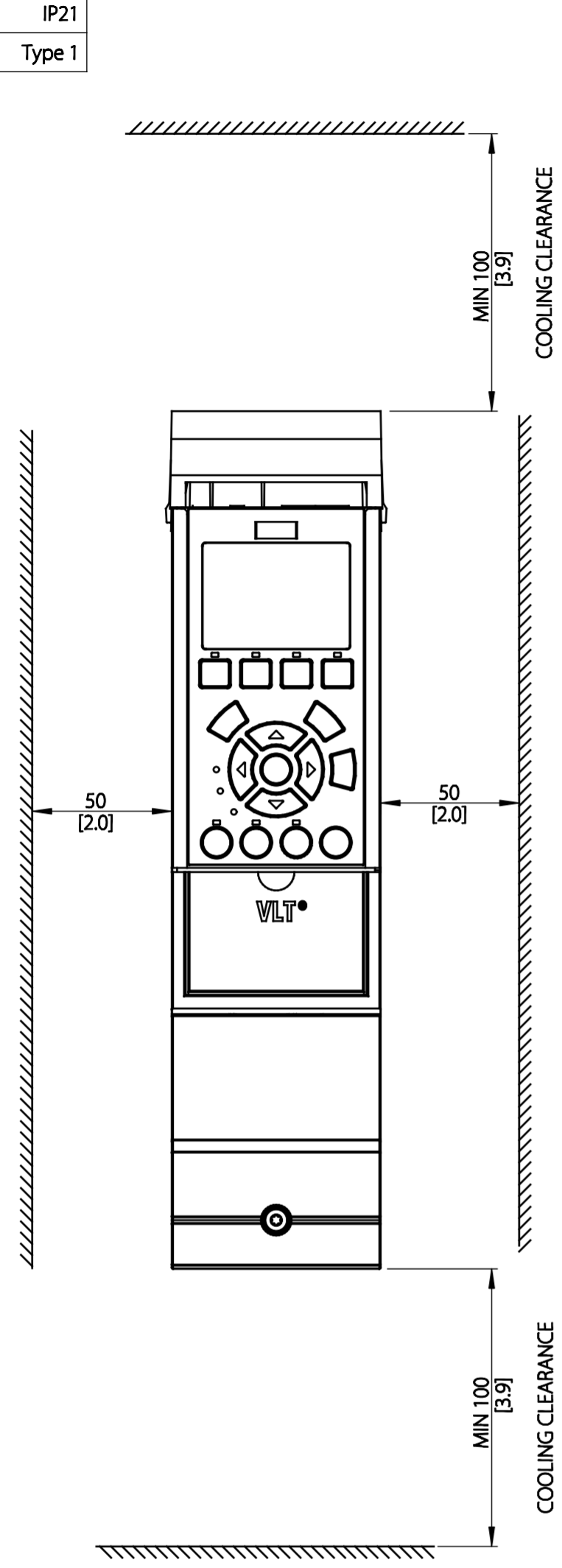


Type	Value
Max Weight	3.6 kg / 7.9 lb
IP Class	IP21
Nema Class	Type 1



THIS DRAWING SHOWS THE MOST COMMON VERSION OF THIS PRODUCT VARIANT.
SMALL DIFFERENCES MAY OCCUR DEPENDING ON THE FINAL PRODUCT CONFIGURATION.

CENTER OF GRAVITY:
FOR REFERENCE ONLY, THE PRODUCT CONFIGURATION MAY INFLUENCE THE CG IN ALL THREE AXES.

UNLESS OTHERWISE SPECIFIED THE TOLERANCE IS ±1MM [0.4 INCH]. ALL DIMENSIONS ARE IN MILLIMETERS [INCH]		FIRST ANGLE PROJECTION	SCALE	DRAWING SIZE	MATERIAL
			1:2	A2	FINISH
		DESCRIPTION			
		MCAD A1 IP21			
CHANGED					
DESIGNED	DANFOSS	27-11-2015			
CHECKED					
PROPERTY OF DANFOSS A/S NORDBOG, DENMARK. TWO OR THREE DIMENSIONAL REPRODUCTION OF CONTENTS TO BE AUTHORIZED BY DANFOSS A/S.		DRAWING NUMBER		REV	
		MCAD-A1-IP21		001	
		MODEL		SHEET	
		MCAD-A1-IP21		1 OF 1	