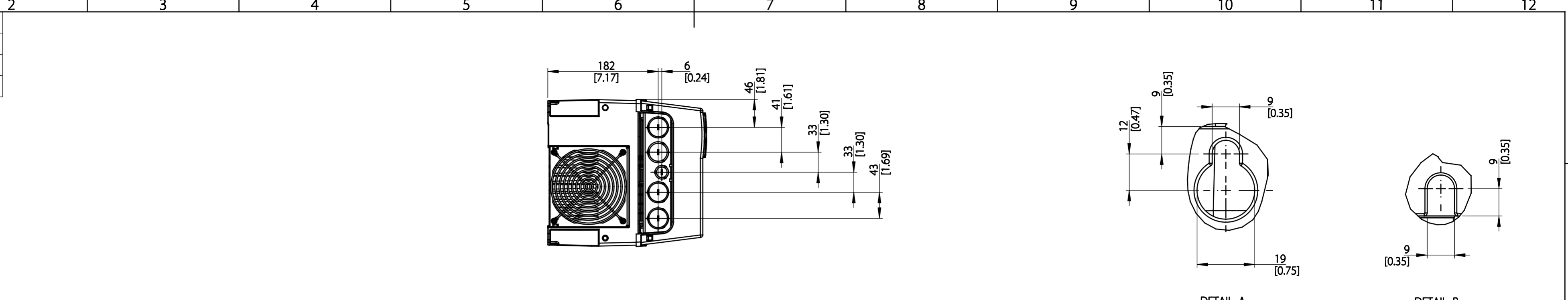
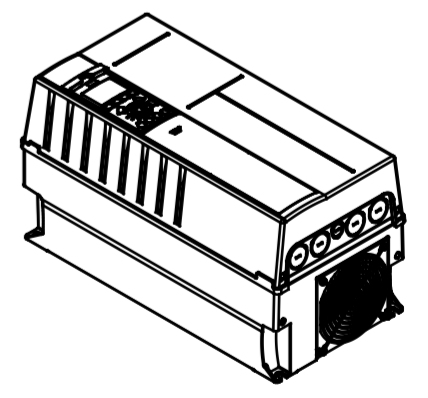
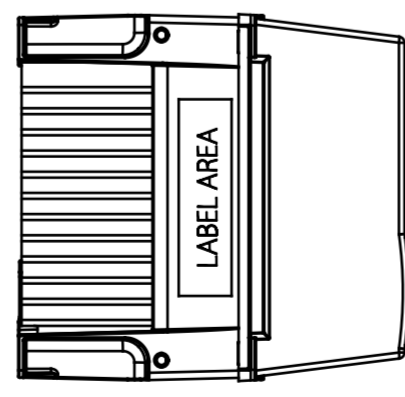
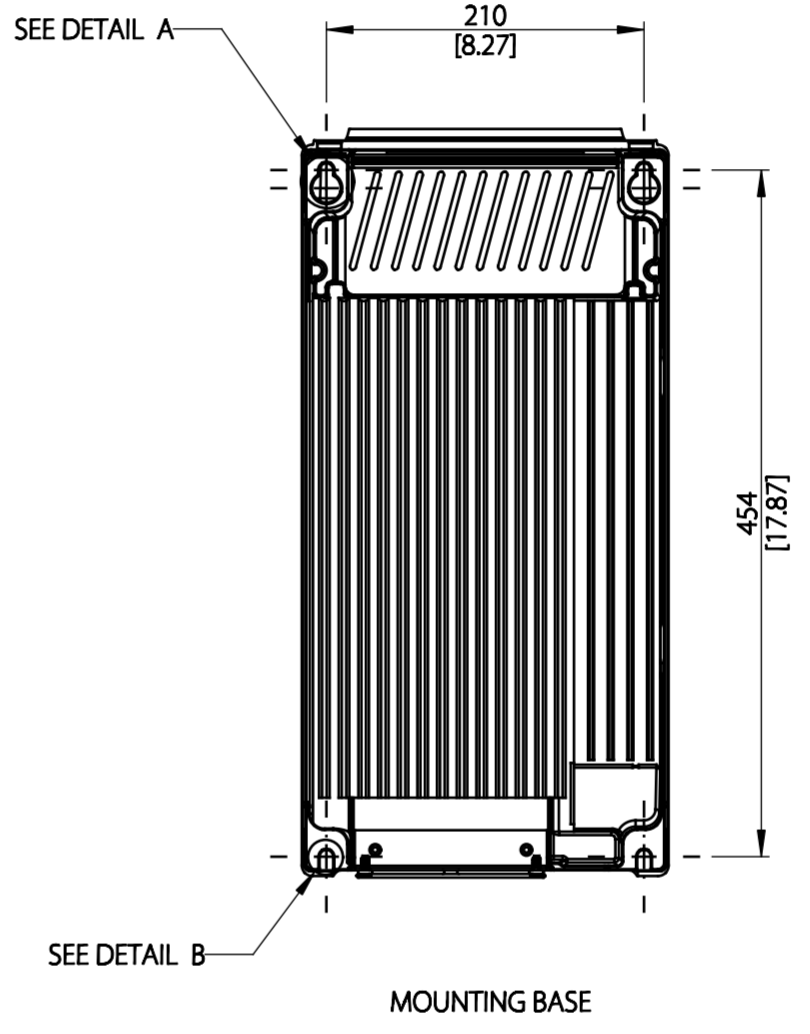
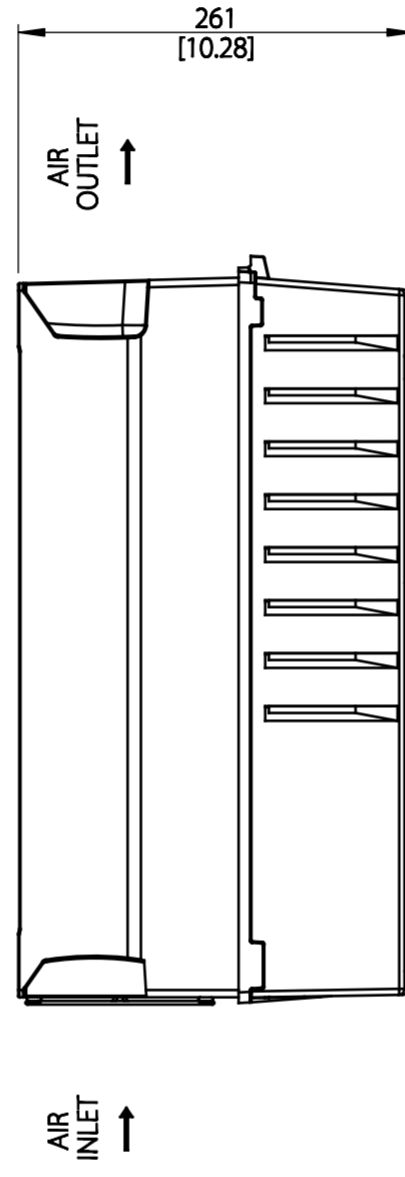
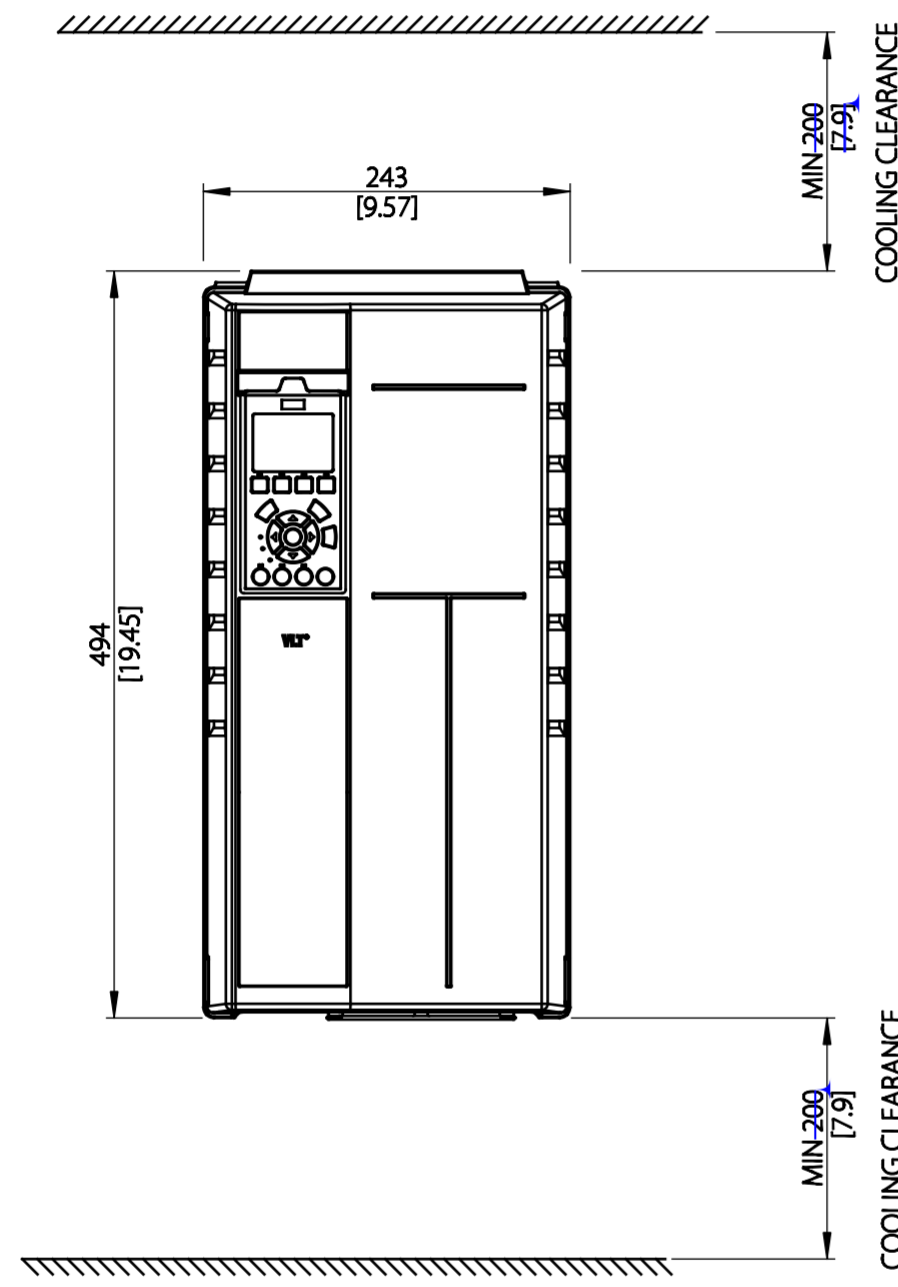


Type	Value
Max Weight	23 kg / 50.7 lb
IP Class	IP21
Nema Class	Type 1



DETAIL A
SCALE 1:1

DETAIL B
SCALE 1:1



THIS DRAWING SHOWS THE MOST COMMON VERSION OF THIS PRODUCT VARIANT.
SMALL DIFFERENCES MAY OCCUR DEPENDING ON THE FINAL PRODUCT CONFIGURATION.

CENTER OF GRAVITY:
FOR REFERENCE ONLY, THE PRODUCT CONFIGURATION MAY INFLUENCE THE CG IN ALL THREE AXES.

UNLESS OTHERWISE SPECIFIED THE TOLERANCE IS $\pm 1\text{MM}$ [0.4 INCH]. ALL DIMENSIONS ARE IN MILLIMETERS [INCH]		FIRST ANGLE PROJECTION	SCALE	DRAWING SIZE	MATERIAL
			1:5	A2	
		FINISH			
		DESCRIPTION			
		MCAD B1 IP21			
CHANGED		DRAWING NUMBER			REV
DESIGNED	DANFOSS 09-01-2016	MCAD-B1-IP21			001
CHECKED		MODEL			SHEET
		MCAD-B1-IP21			1 OF 1
PROPERTY OF DANFOSS A/S NORDBOG, DENMARK. TWO OR THREE DIMENSIONAL REPRODUCTION OF CONTENTS TO BE AUTHORIZED BY DANFOSS A/S.					