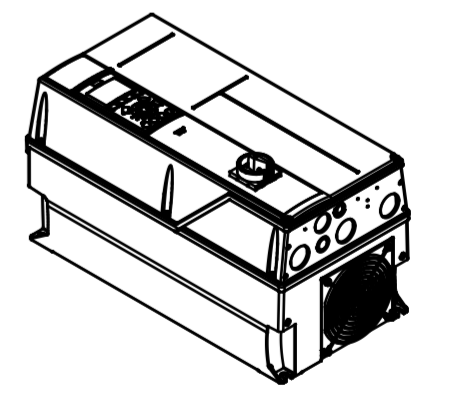
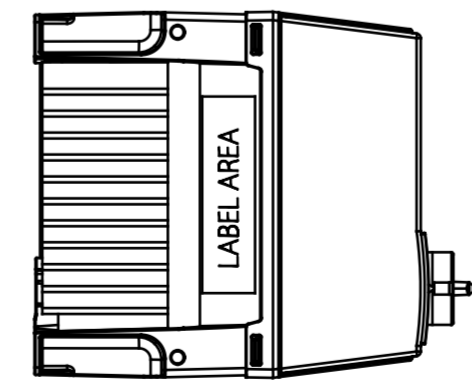
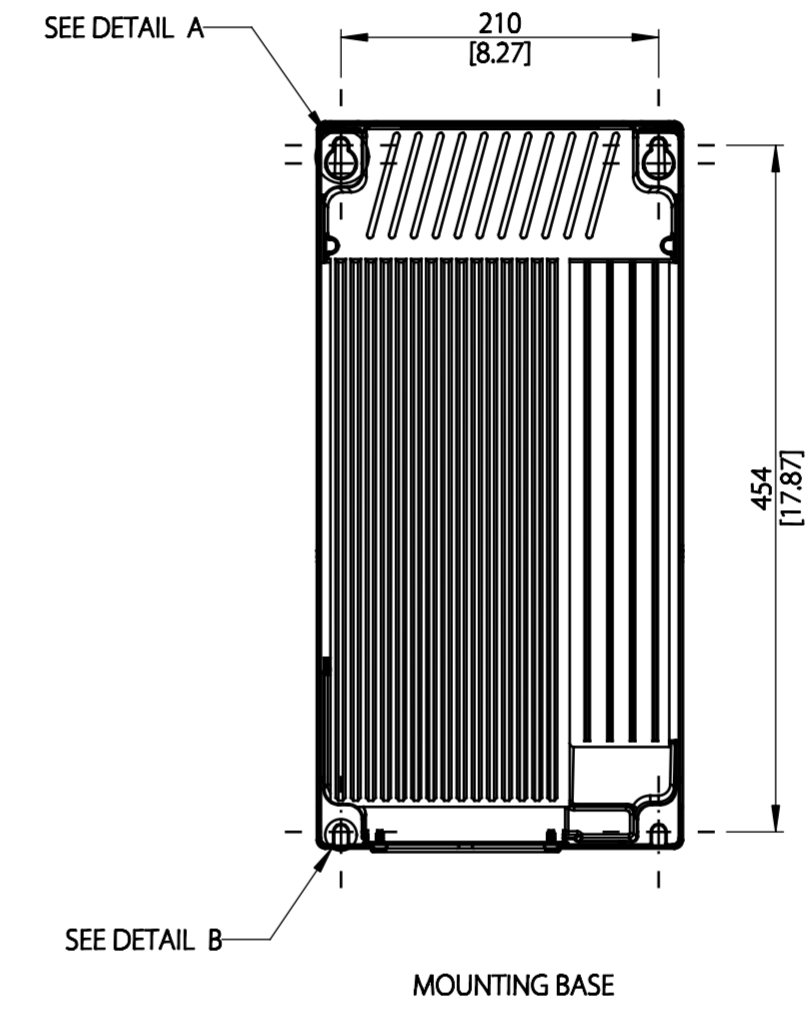
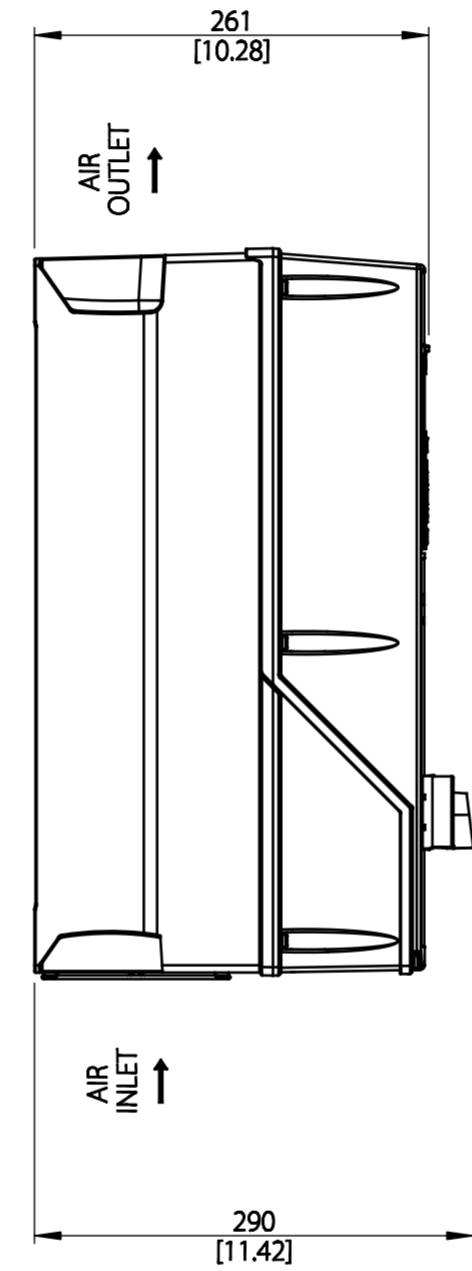
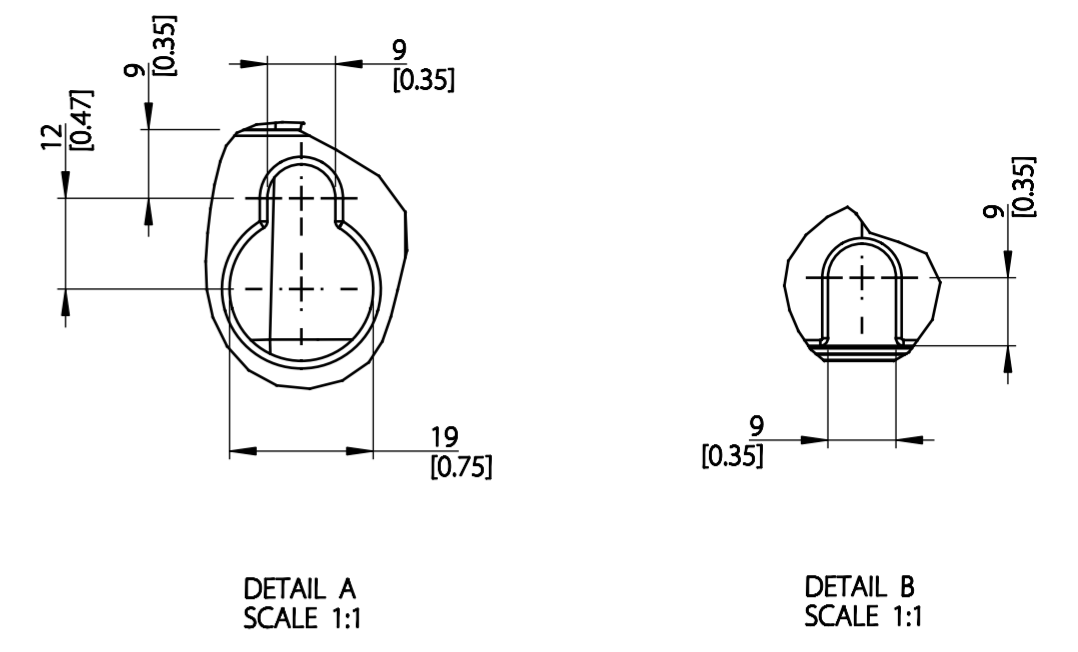
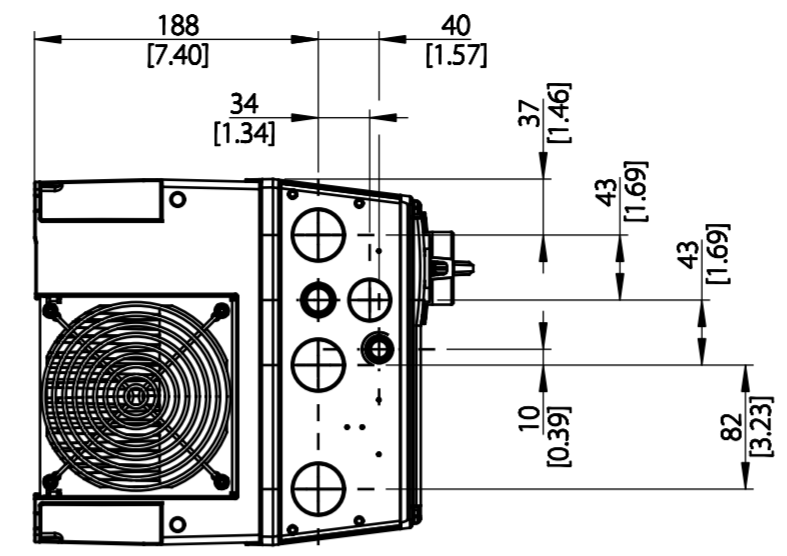
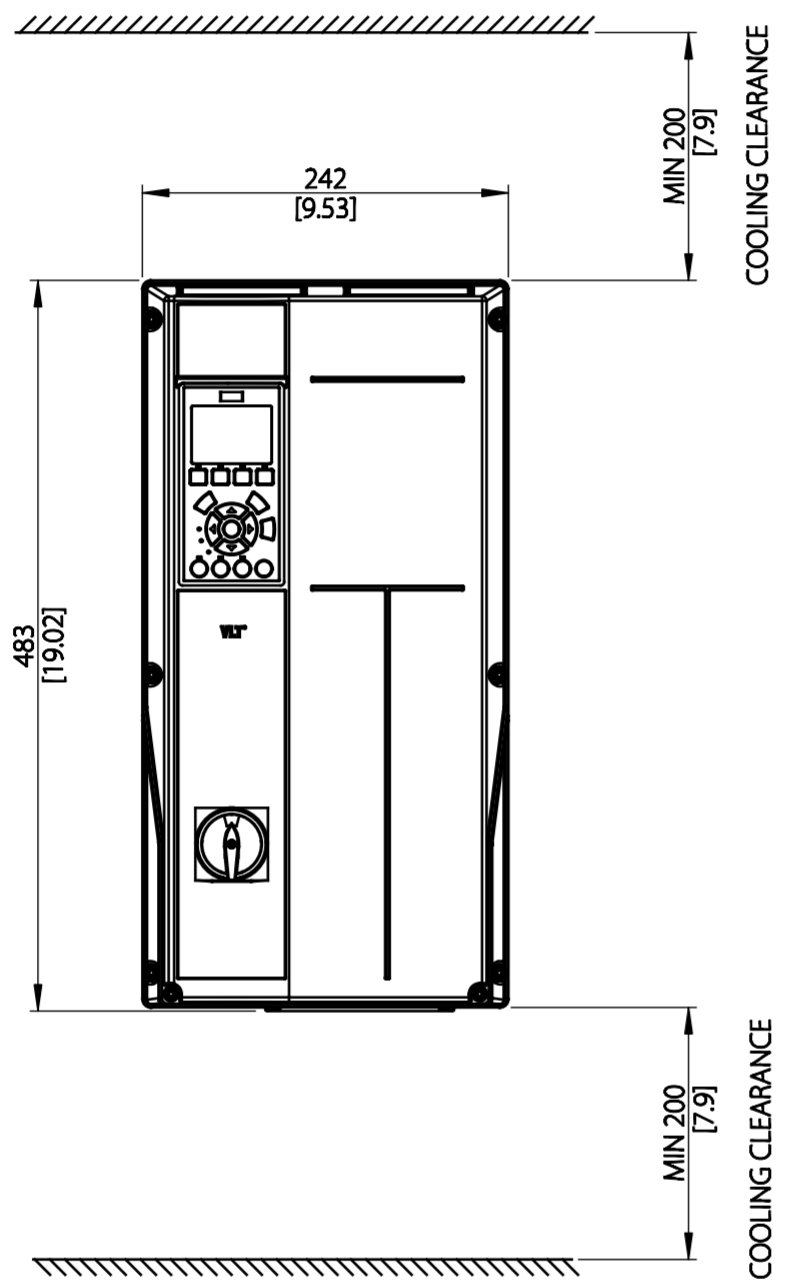


Type	Value
Max Weight	23 kg / 50.7 lb
IP Class	IP55/66
Nema Class	Type 12/4X



THIS DRAWING SHOWS THE MOST COMMON VERSION OF THIS PRODUCT VARIANT.
SMALL DIFFERENCES MAY OCCUR DEPENDING ON THE FINAL PRODUCT CONFIGURATION.

CENTER OF GRAVITY:
FOR REFERENCE ONLY, THE PRODUCT CONFIGURATION MAY INFLUENCE THE CG IN ALL THREE AXES.

UNLESS OTHERWISE SPECIFIED THE TOLERANCE IS $\pm 1\text{MM}$ [0.4 INCH]. ALL DIMENSIONS ARE IN MILLIMETERS [INCH]		FIRST ANGLE PROJECTION	SCALE	DRAWING SIZE	MATERIAL
			1:5	A2	
					FINISH
					DESCRIPTION
CHANGED					MCAD B1 IP66 WITH DISCONNECTOR
DESIGNED	DANFOSS	09-01-2016			
CHECKED					
PROPERTY OF DANFOSS A/S NORDBOG, DENMARK. TWO OR THREE DIMENSIONAL REPRODUCTION OF CONTENTS TO BE AUTHORIZED BY DANFOSS A/S.				DRAWING NUMBER	REV
				MCAD-B1-IP66-WITH-DISCONNECTOR	001
				MODEL	SHEET
				MCAD-B1-IP66-WITH-DISCONNECTOR	1 OF 1

