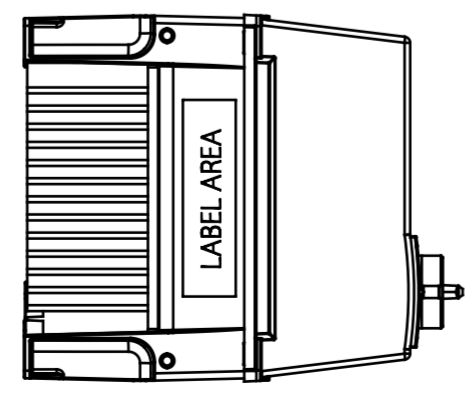
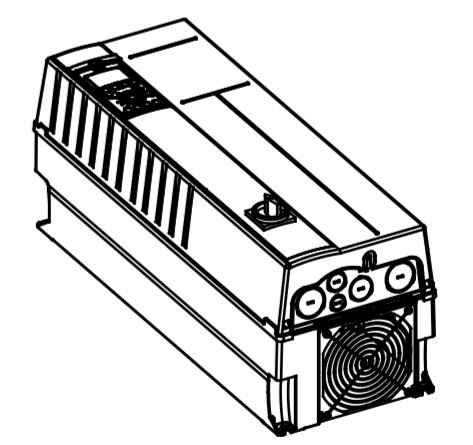
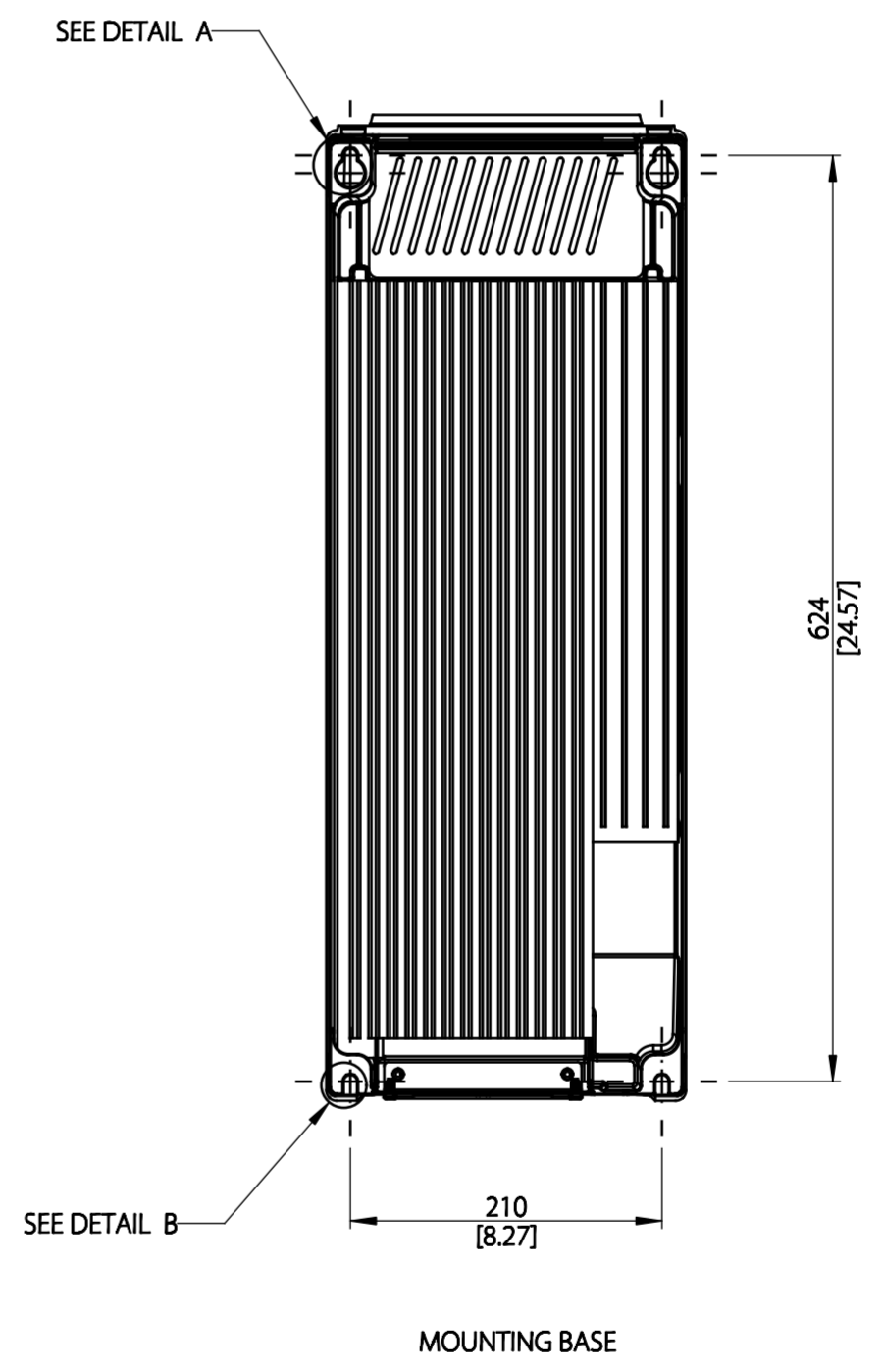
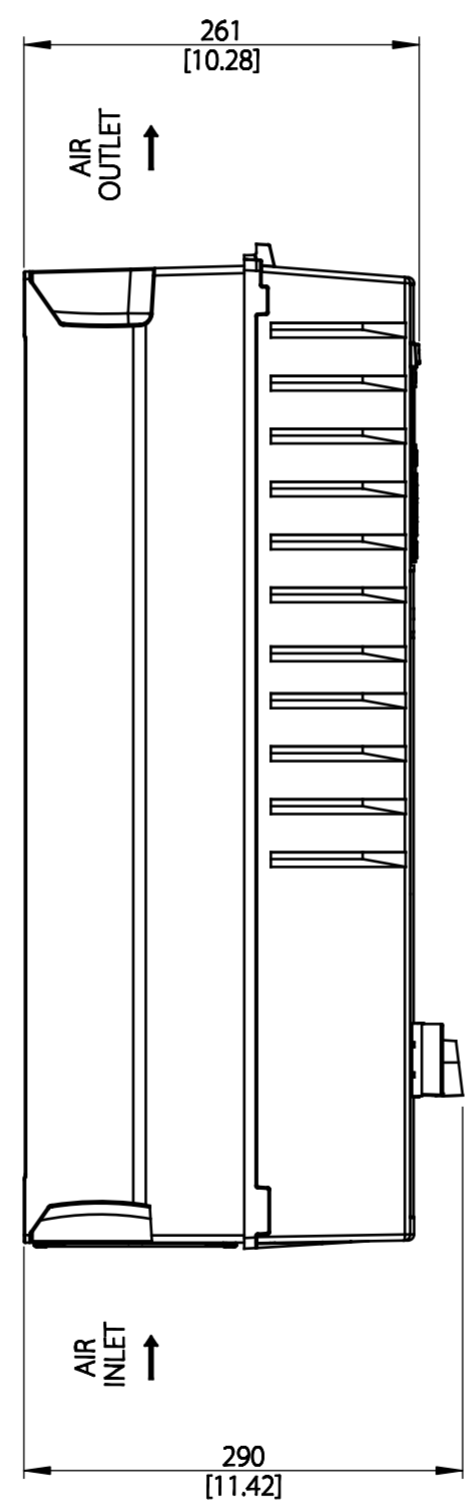
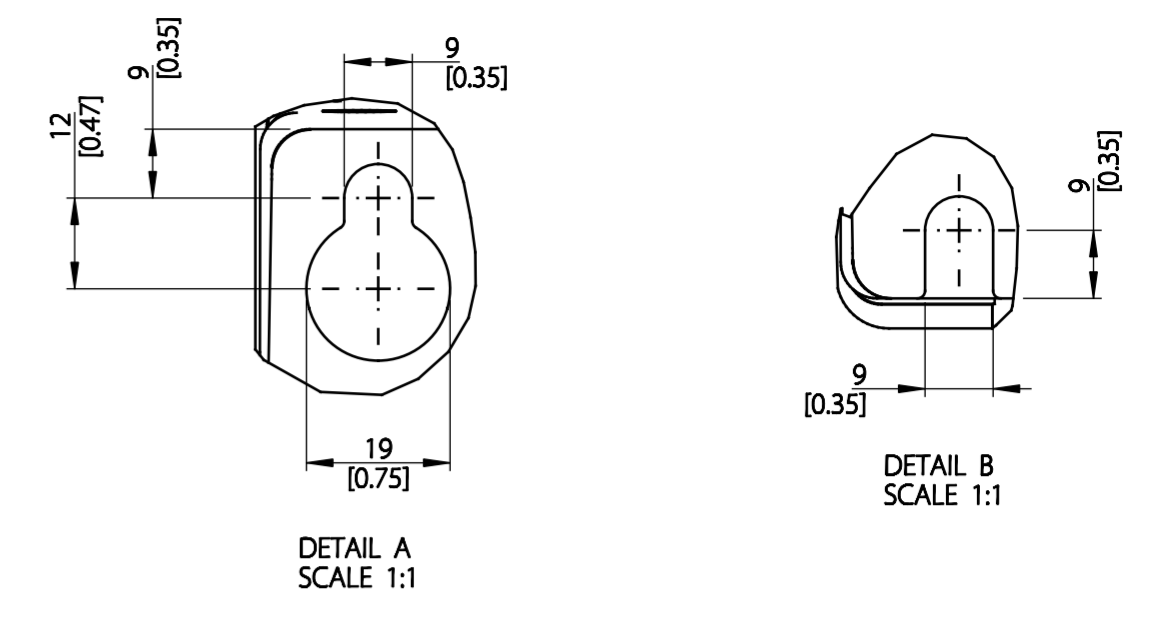
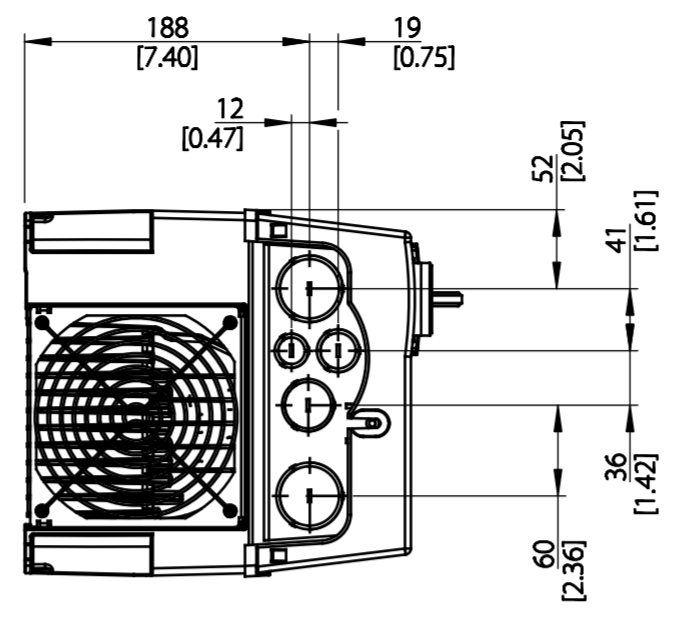
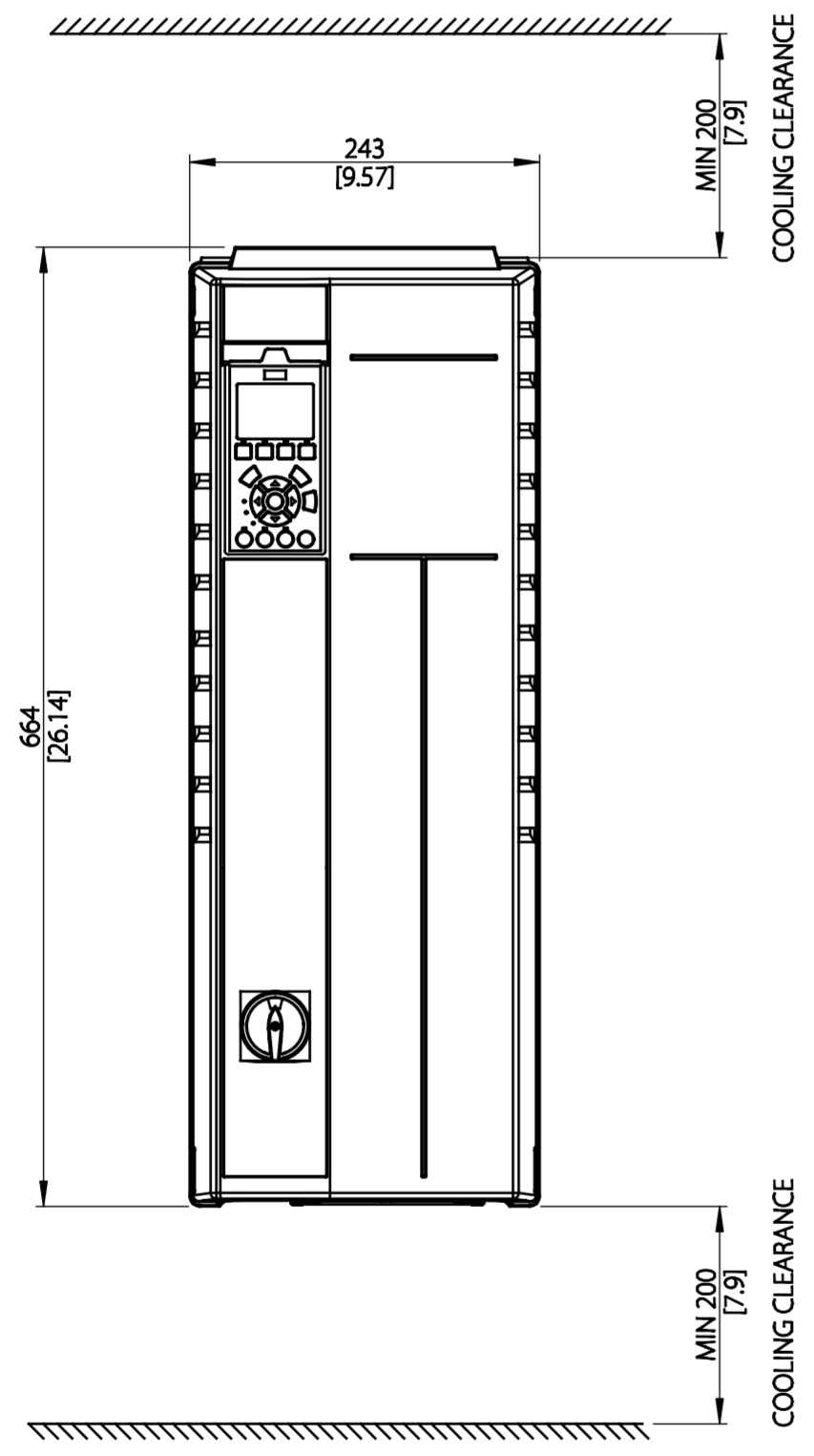


Type	Value
Max Weight	27 kg / 59.5 lb
IP Class	IP21
Nema Class	Type 1



THIS DRAWING SHOWS THE MOST COMMON VERSION OF THIS PRODUCT VARIANT. SMALL DIFFERENCES MAY OCCUR DEPENDING ON THE FINAL PRODUCT CONFIGURATION.

CENTER OF GRAVITY: FOR REFERENCE ONLY, THE PRODUCT CONFIGURATION MAY INFLUENCE THE CG IN ALL THREE AXES.

UNLESS OTHERWISE SPECIFIED THE TOLERANCE IS $\pm 1\text{MM}$ [0.4 INCH]. ALL DIMENSIONS ARE IN MILLIMETERS [INCH]		FIRST ANGLE PROJECTION	SCALE	DRAWING SIZE	MATERIAL
			1:5	A2	
		FINISH			
		DESCRIPTION			
		MCAD B2 IP21 WITH DISCONNECTOR			
CHANGED		DRAWING NUMBER			REV
DESIGNED	DANFOSS	MCAD-B2-IP21-WITH-DISCONNECTOR			001
CHECKED		MODEL			SHEET
		MCAD-B2-IP21-WITH-DISCONNECTOR			1 OF 1
PROPERTY OF DANFOSS A/S NORDBOG, DENMARK. TWO OR THREE DIMENSIONAL REPRODUCTION OF CONTENTS TO BE AUTHORIZED BY DANFOSS A/S.					

