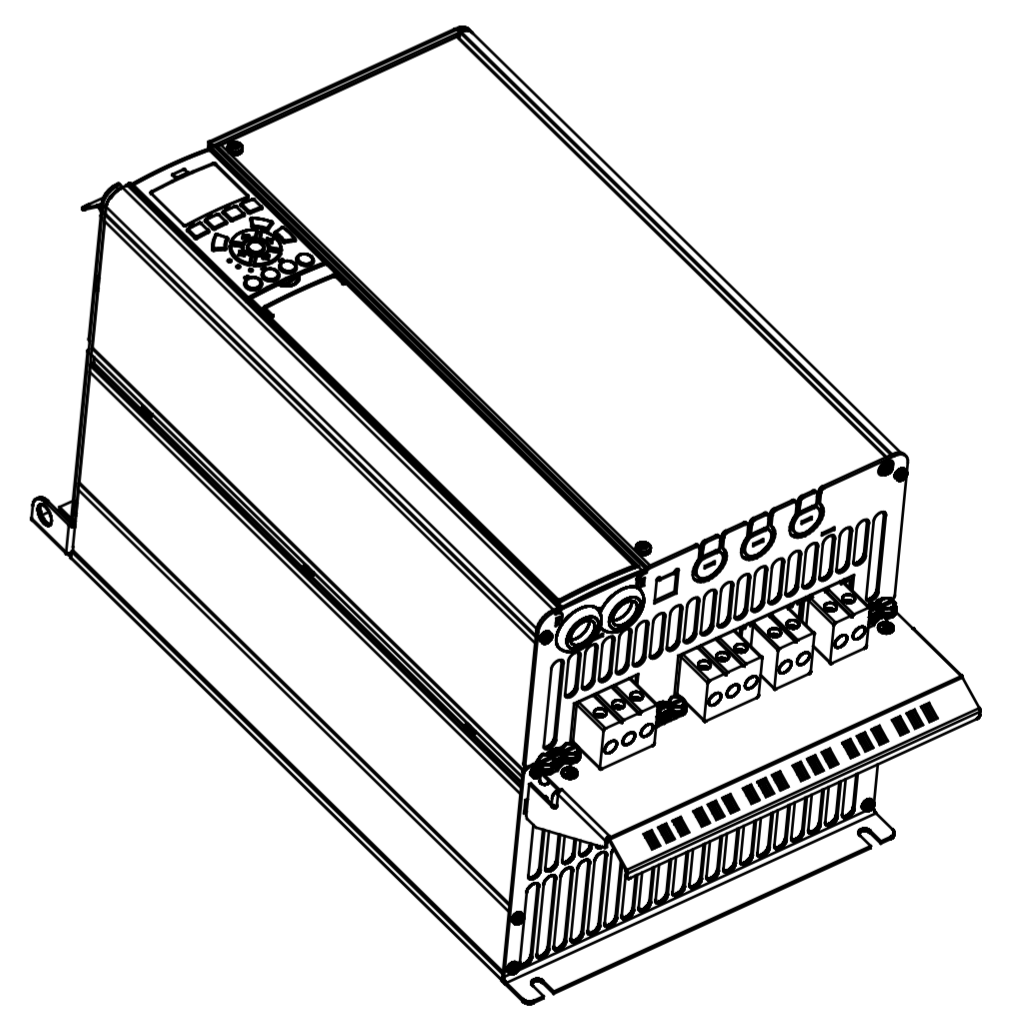
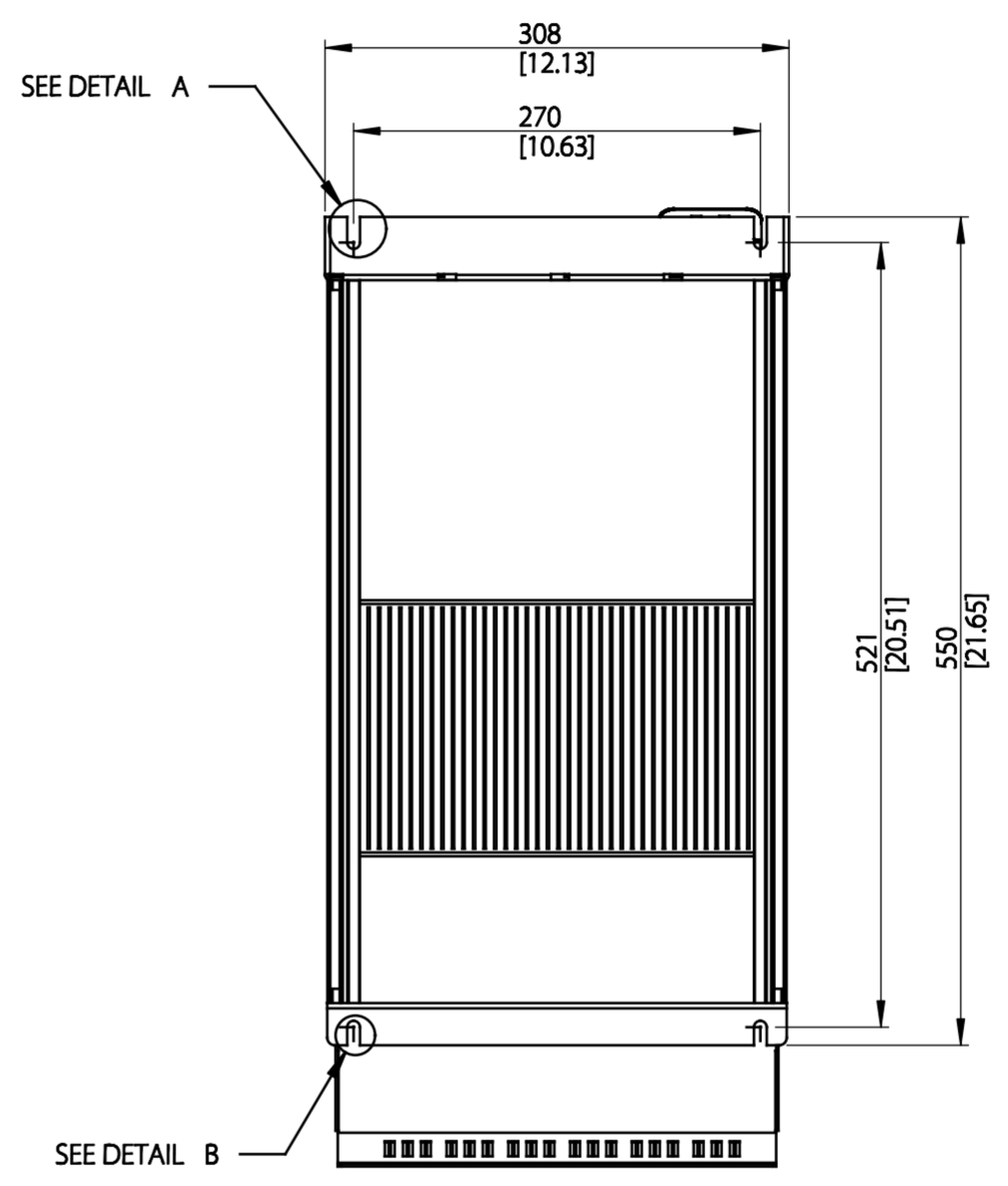
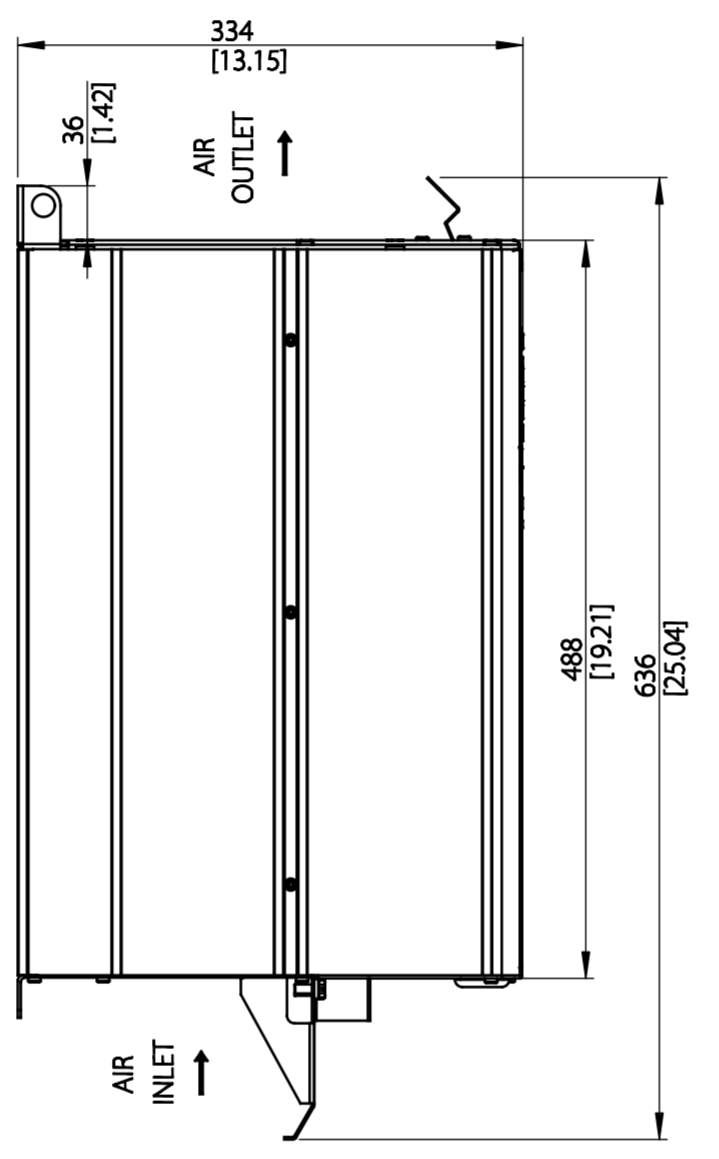
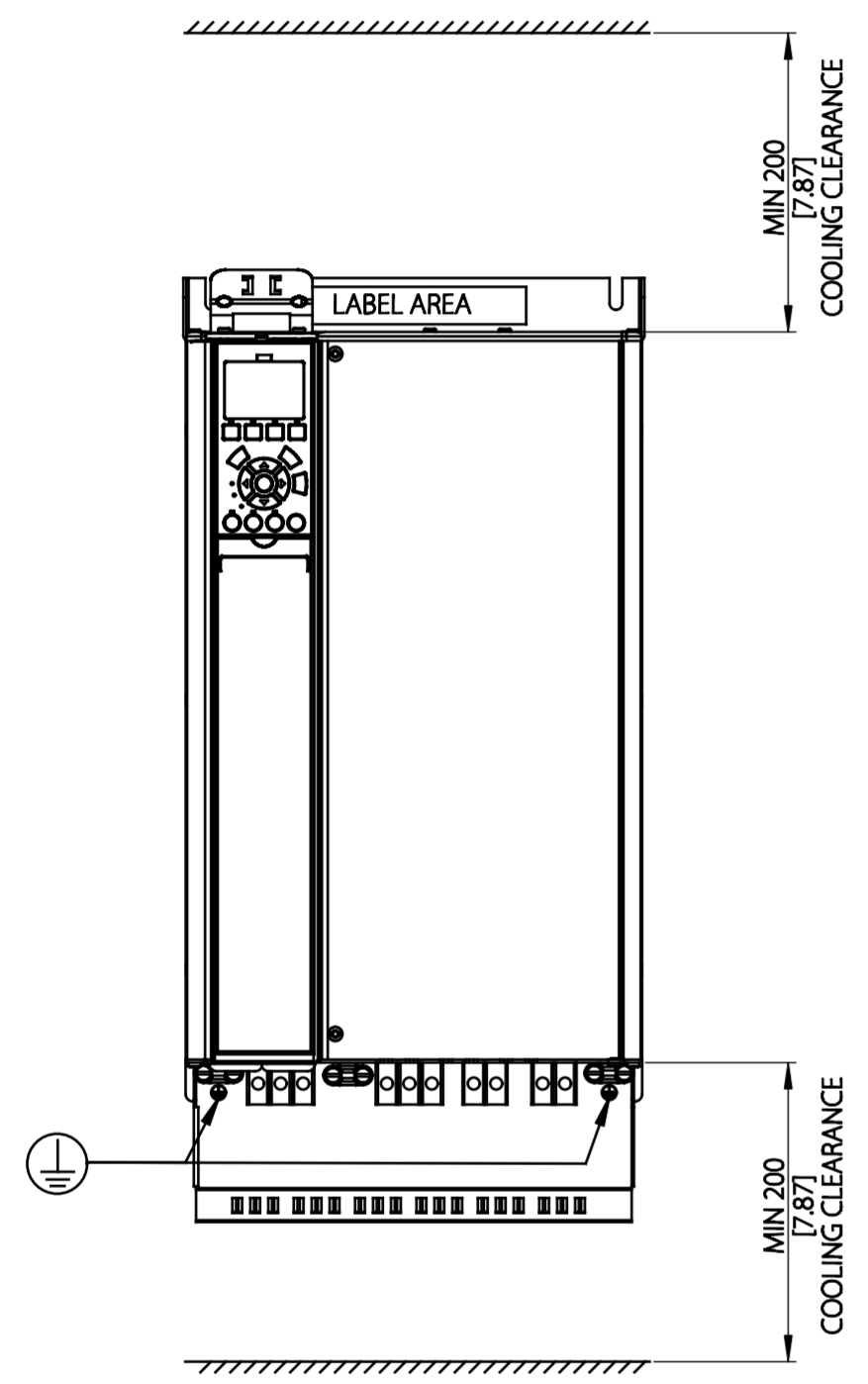
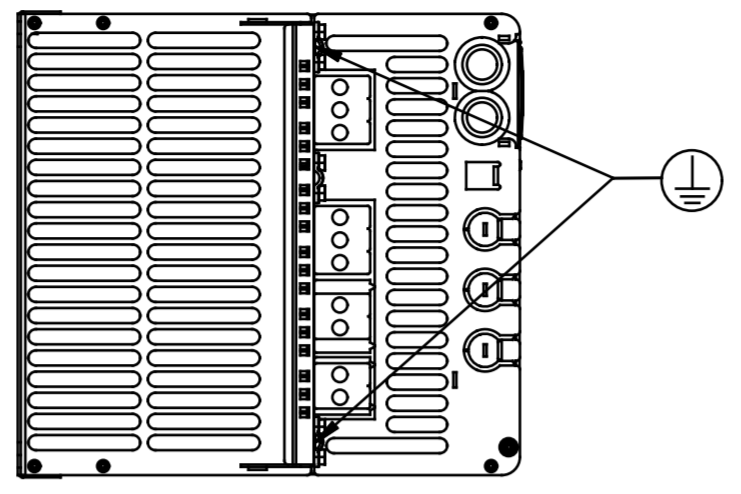
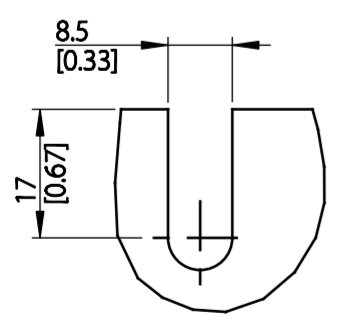


1 2 3 4 5 6 7 8 9 10 11 12

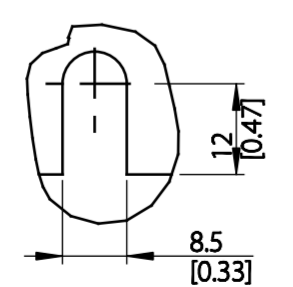
Type	Value
Max Weight	35 kg / 77.2 lb
IP Class	IP20
Nema Class	CHASSIS



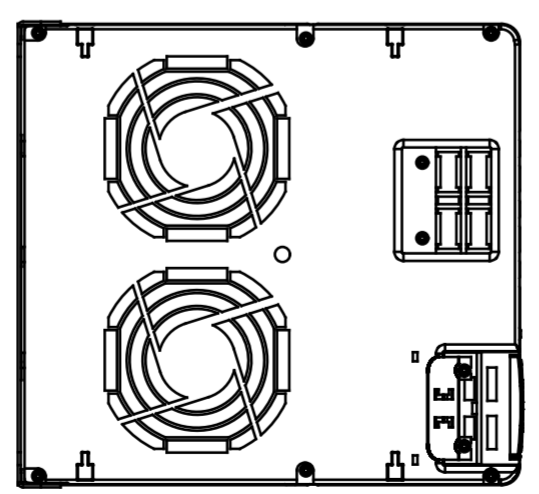
SCALE 1:5



DETAIL A
SCALE 1:1



DETAIL B
SCALE 1:1



UNLESS OTHERWISE SPECIFIED THE TOLERANCE IS ±1MM [0.4 INCH]. ALL DIMENSIONS ARE IN MILLIMETERS [INCH]		FIRST ANGLE PROJECTION	SCALE	DRAWING SIZE	MATERIAL
			1:5	A2	
					FINISH
					DESCRIPTION
					MCAD C3 IP20 OPTION
CHANGED					
DESIGNED	DANFOSS	20-04-16			
CHECKED					
PROPERTY OF DANFOSS A/S NORDBOG, DENMARK. TWO OR THREE DIMENSIONAL REPRODUCTION OF CONTENTS TO BE AUTHORIZED BY DANFOSS A/S.					DRAWING NUMBER
					MCAD-C3-IP20-OPTION
					REV
					001
					MODEL
					MCAD0-C3-IP20-OPTION
					SHEET
					1 OF 1

THIS DRAWING SHOWS THE MOST COMMON VERSION OF THIS PRODUCT VARIANT. SMALL DIFFERENCES MAY OCCUR DEPENDING ON THE FINAL PRODUCT CONFIGURATION.

CENTER OF GRAVITY: FOR REFERENCE ONLY, THE PRODUCT CONFIGURATION MAY INFLUENCE THE CG IN ALL THREE AXES.

1 2 3 4 5 6 7 8 9 10 11 12