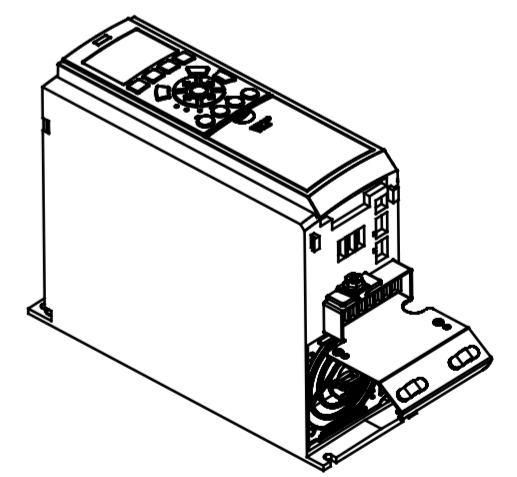
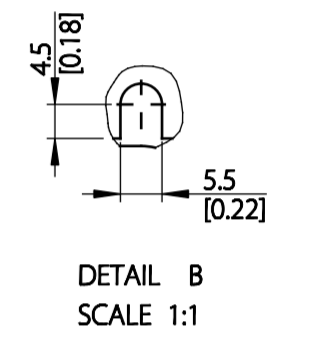
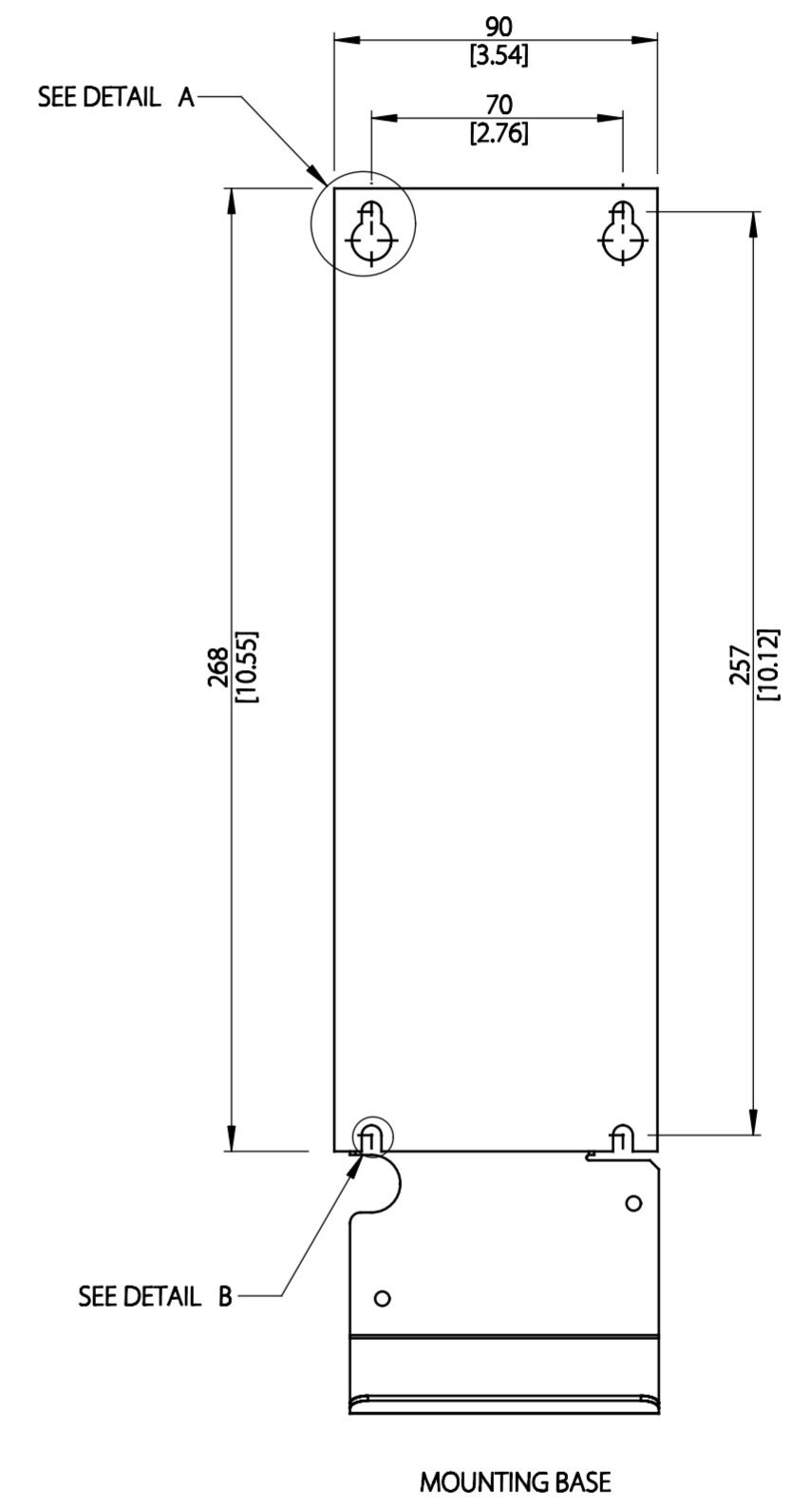
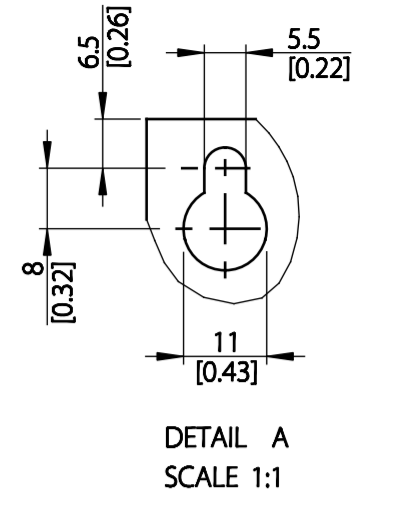
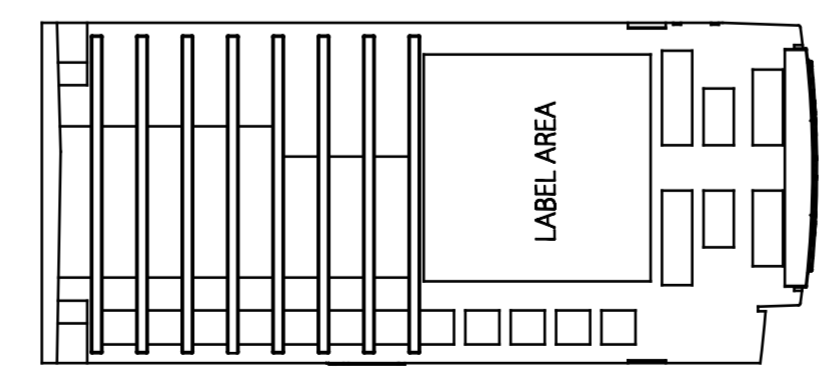
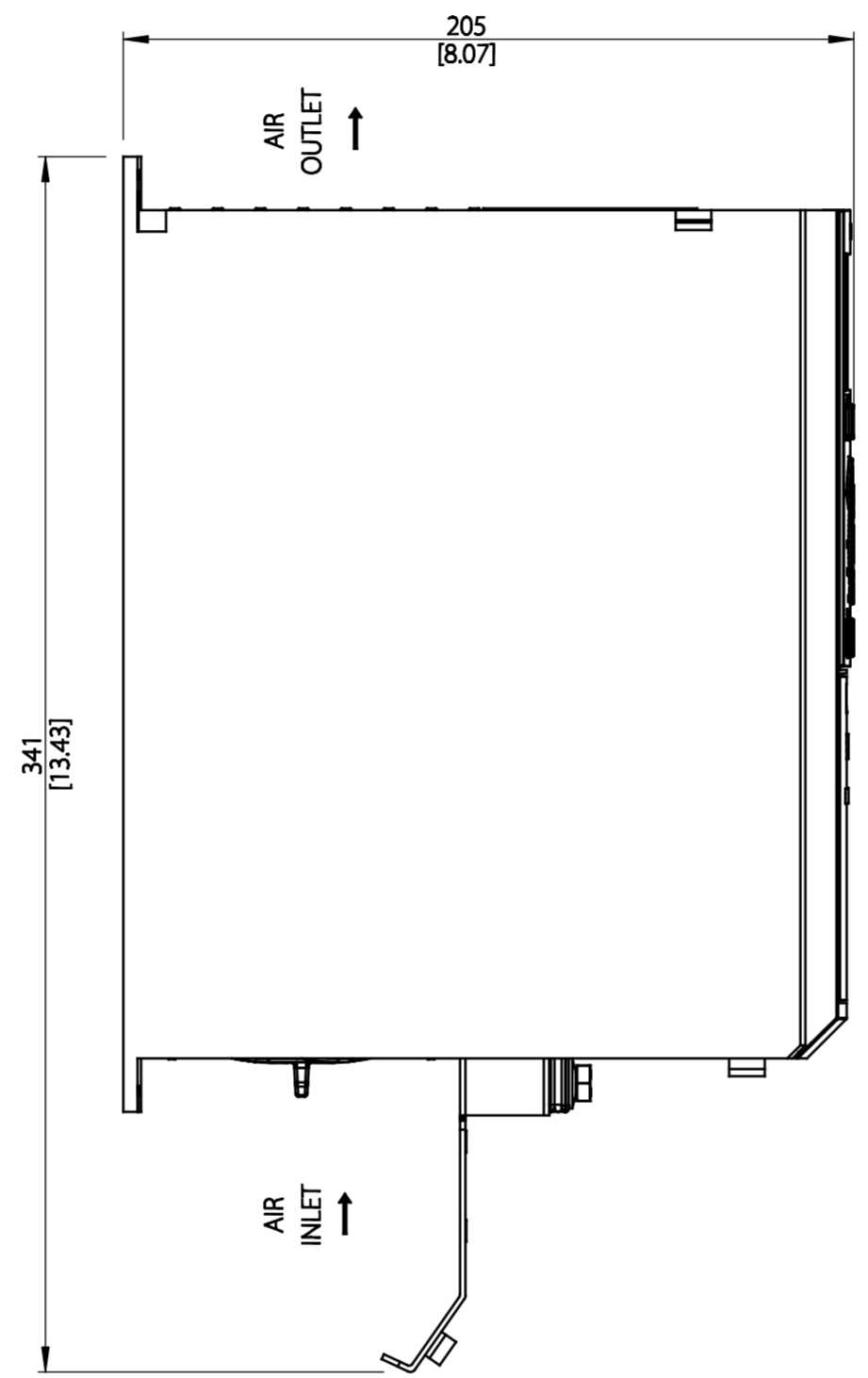
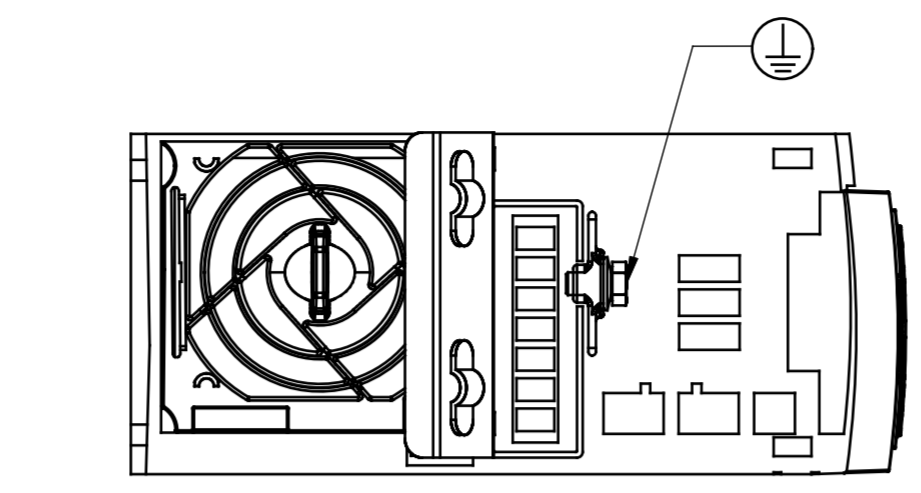
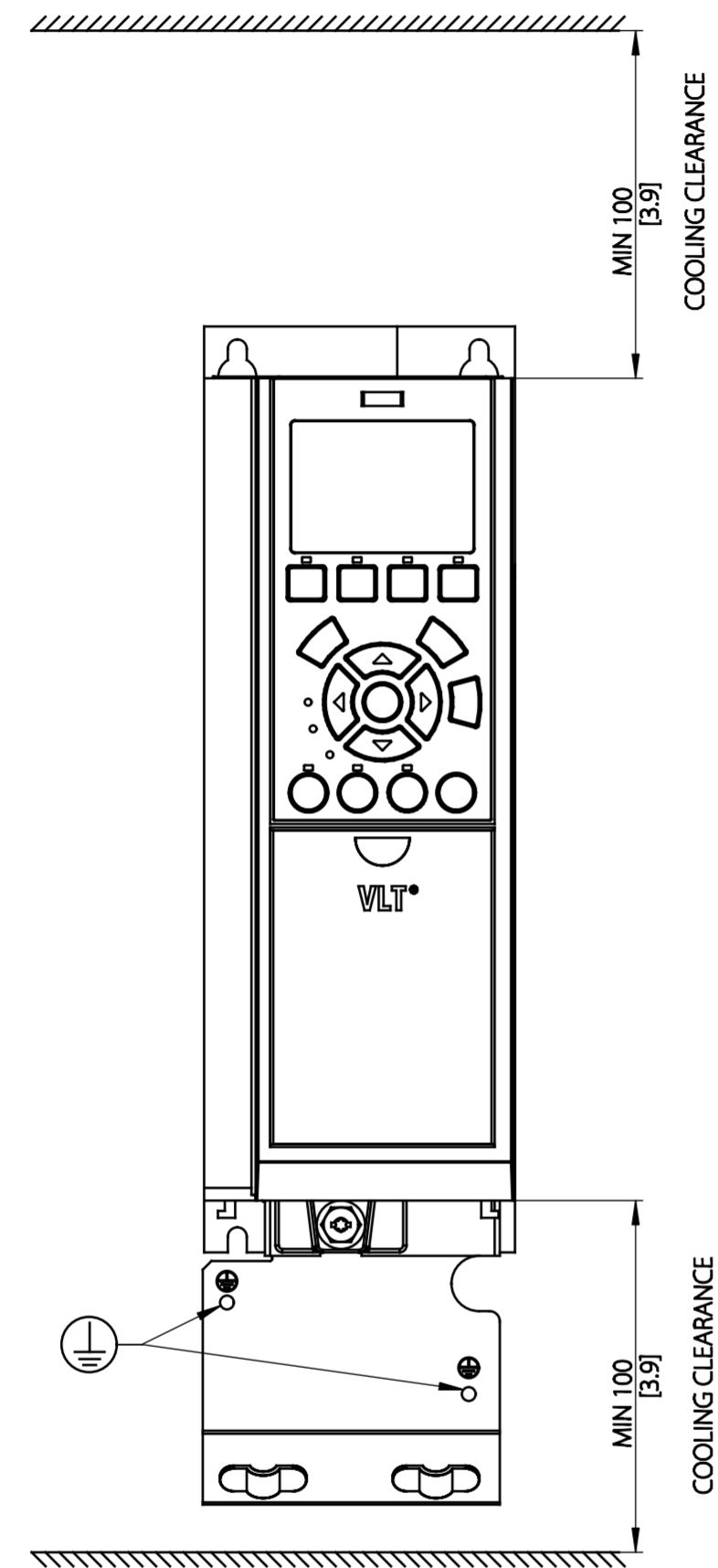


Type	Value
Max Weight	4.9 kg / 10.8 lb
IP Class	IP20
Nema Class	CHASSIS



THIS DRAWING SHOWS THE MOST COMMON VERSION OF THIS PRODUCT VARIANT.  
SMALL DIFFERENCES MAY OCCUR DEPENDING ON THE FINAL PRODUCT CONFIGURATION.

CENTER OF GRAVITY:  
FOR REFERENCE ONLY, THE PRODUCT CONFIGURATION MAY INFLUENCE THE CG IN ALL THREE AXES.

UNLESS OTHERWISE SPECIFIED THE TOLERANCE IS $\pm 1$ MM [0.4 INCH]. ALL DIMENSIONS ARE IN MILLIMETERS [INCH]		FIRST ANGLE PROJECTION	SCALE	DRAWING SIZE	MATERIAL
			1:2	A2	FINISH
		DESCRIPTION			
		MCAD-A2-IP20			
CHANGED					
DESIGNED	DANFOSS	30-12-2015			
CHECKED					
PROPERTY OF DANFOSS A/S NORDBOURG, DENMARK. TWO OR THREE DIMENSIONAL REPRODUCTION OF CONTENTS TO BE AUTHORIZED BY DANFOSS A/S.		DRAWING NUMBER		REV	
		MCAD-A2-IP20		001	
		MODEL		SHEET	
		MCAD-A2-IP20		1 OF 1	