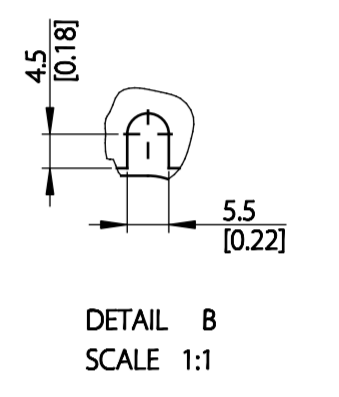
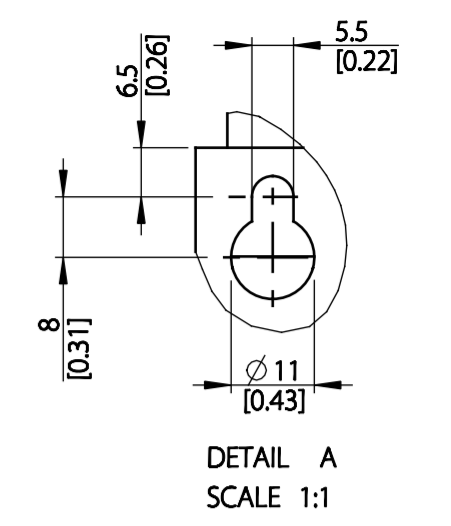
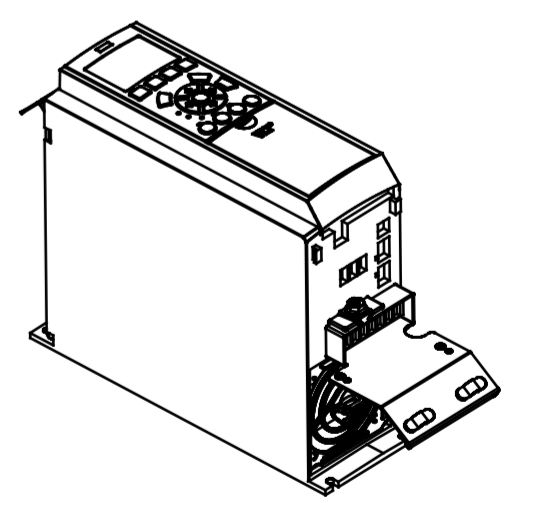
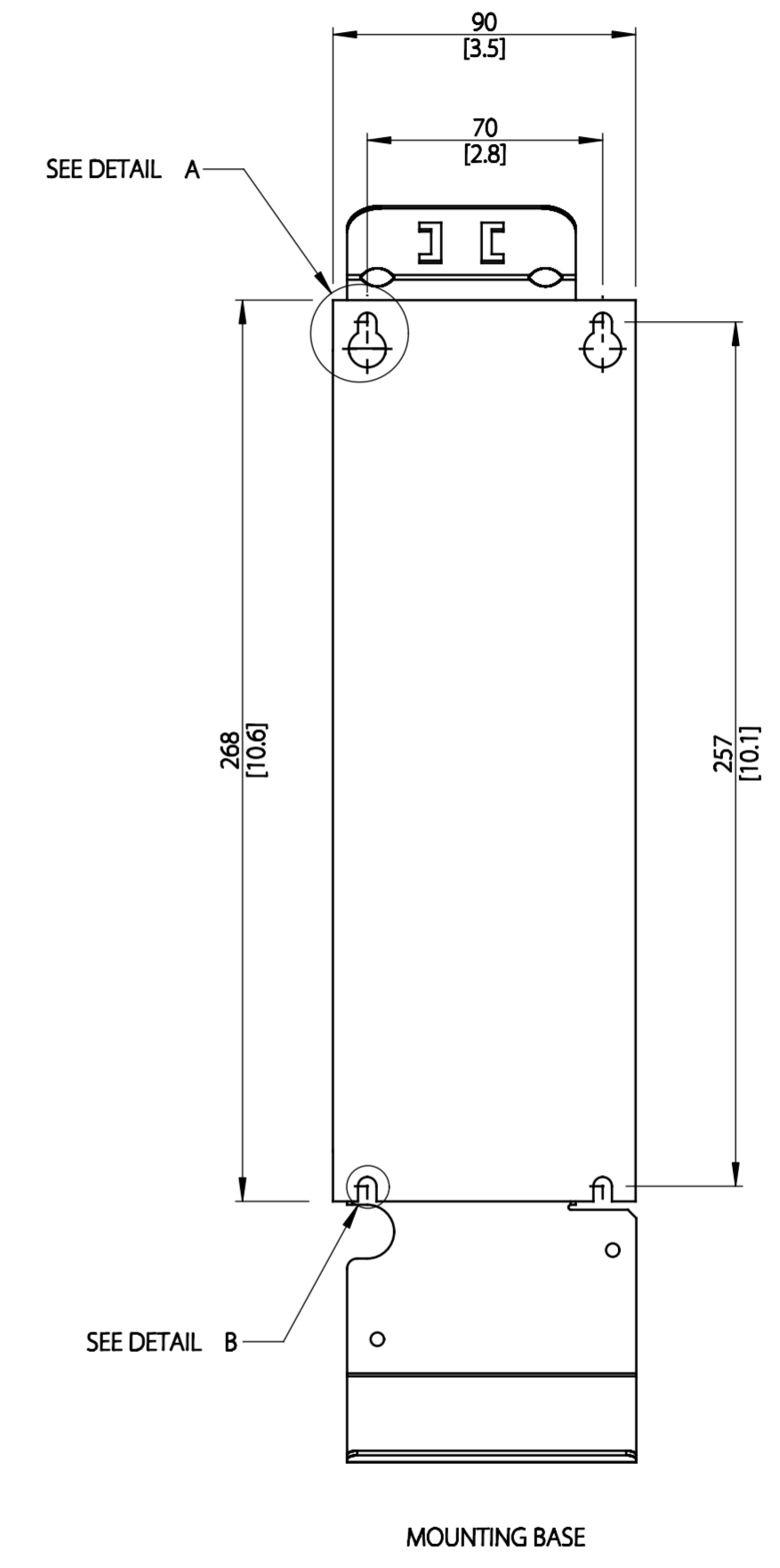
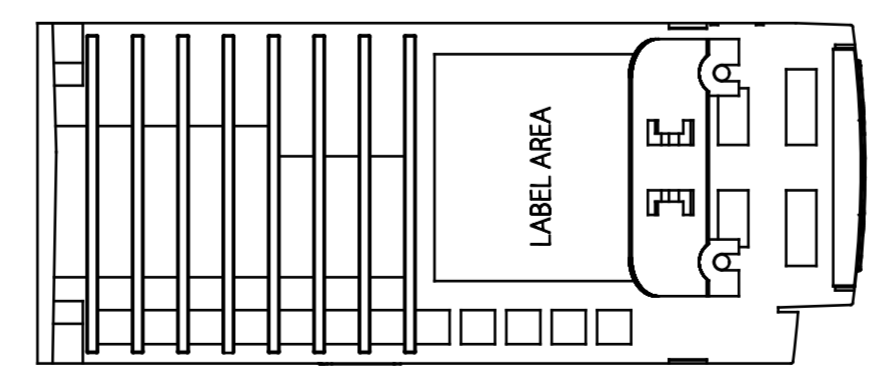
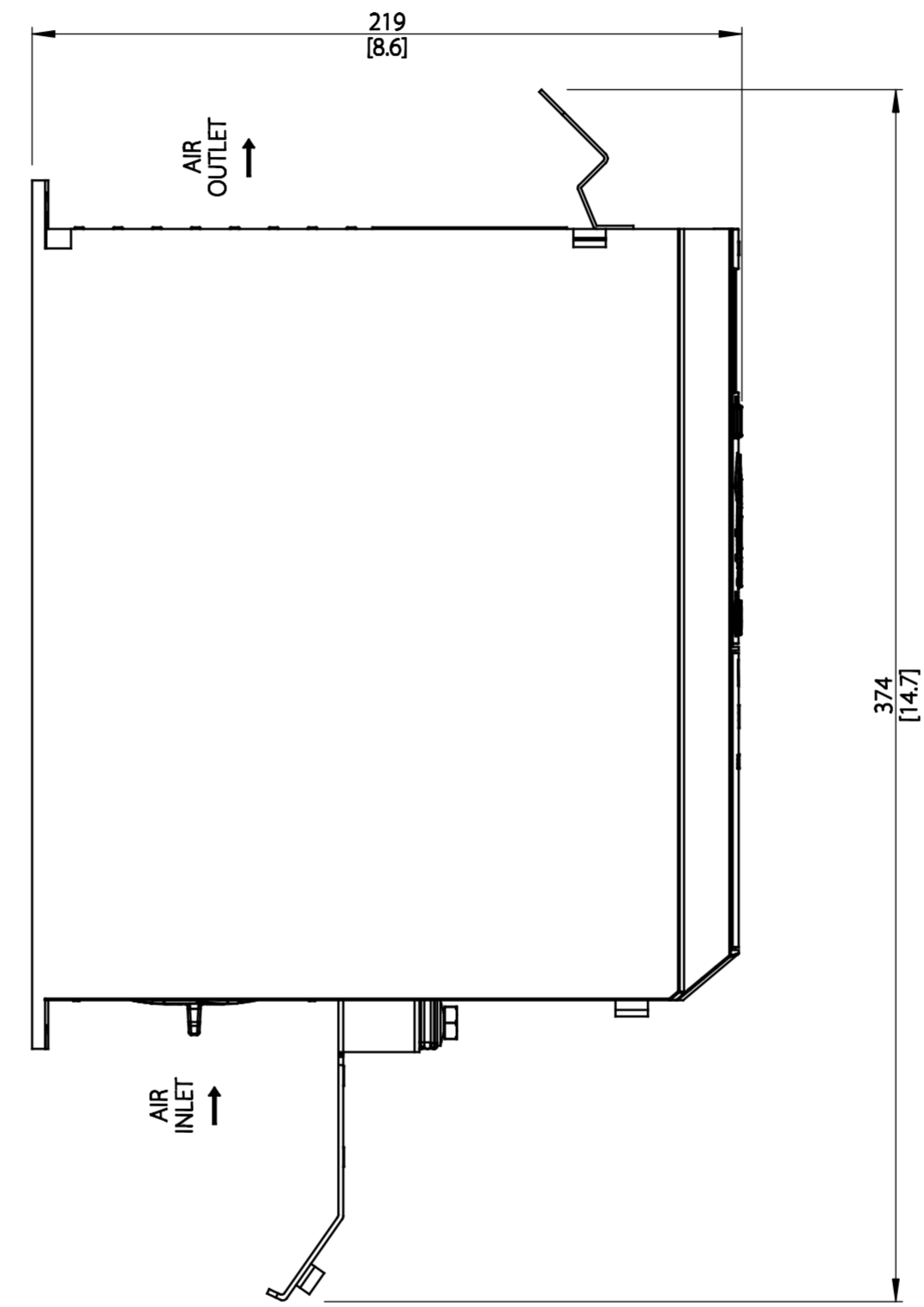
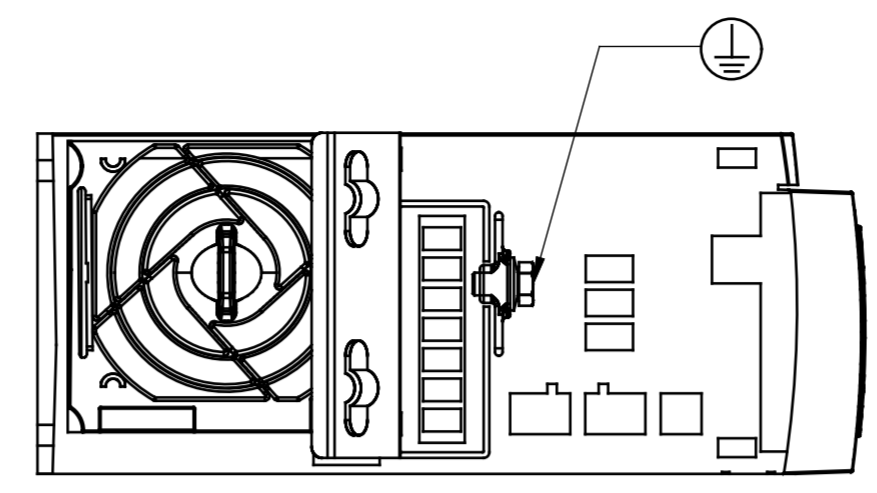
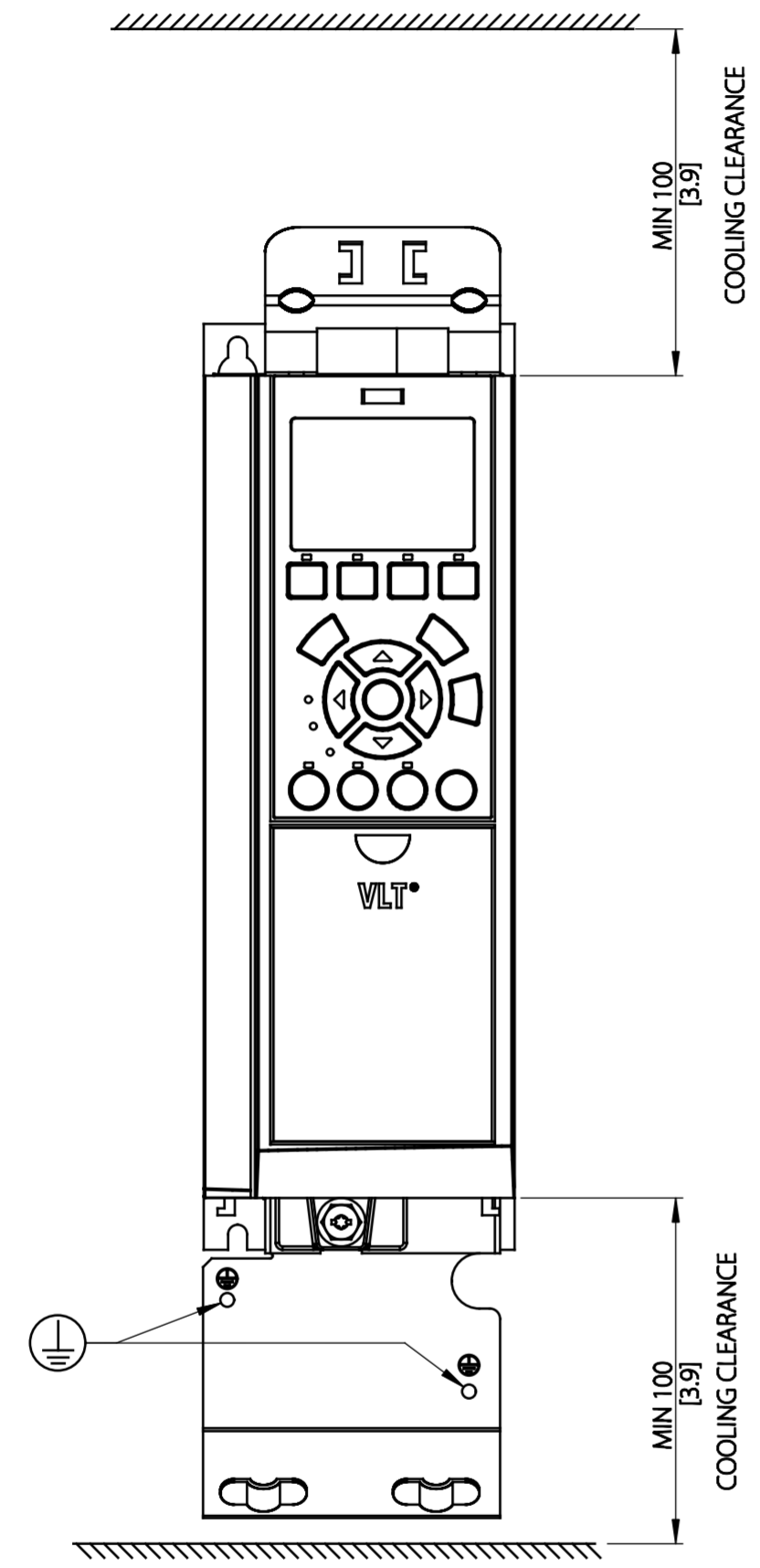


|            |                  |
|------------|------------------|
| Type       | Value            |
| Max Weight | 4.9 kg / 10.8 lb |
| IP Class   | IP20 AB          |
| Nema Class | CHASSIS          |



THIS DRAWING SHOWS THE MOST COMMON VERSION OF THIS PRODUCT VARIANT.  
SMALL DIFFERENCES MAY OCCUR DEPENDING ON THE FINAL PRODUCT CONFIGURATION.

CENTER OF GRAVITY:  
FOR REFERENCE ONLY, THE PRODUCT CONFIGURATION MAY INFLUENCE THE CG IN ALL THREE AXES.

|  |         |                        |       |              |          |
|--|---------|------------------------|-------|--------------|----------|
| UNLESS OTHERWISE SPECIFIED THE TOLERANCE IS $\pm 1$ MM [0.4 INCH]. ALL DIMENSIONS ARE IN MILLIMETERS [INCH]                  |         | FIRST ANGLE PROJECTION | SCALE | DRAWING SIZE | MATERIAL |
|  |         |                        | 1:2   | A2           | FINISH   |
|  |         | DESCRIPTION            |       |              |          |
|  |         | MCAD A2 IP20 AB        |       |              |          |
| CHANGED  |         |                        |       |              |          |
| DESIGNED   | DANFOSS | 27-11-2015             |       |              |          |
| CHECKED  |         |                        |       |              |          |
| PROPERTY OF DANFOSS A/S NORDBOG, DENMARK. TWO OR THREE DIMENSIONAL REPRODUCTION OF CONTENTS TO BE AUTHORIZED BY DANFOSS A/S. |         | DRAWING NUMBER         |       | REV          |          |
|  |         | MCAD-A2-IP20-AB        |       | 001          |          |
|  |         | MCAD-A2-IP20-AB        |       | SHEET        | 1 OF 1   |

