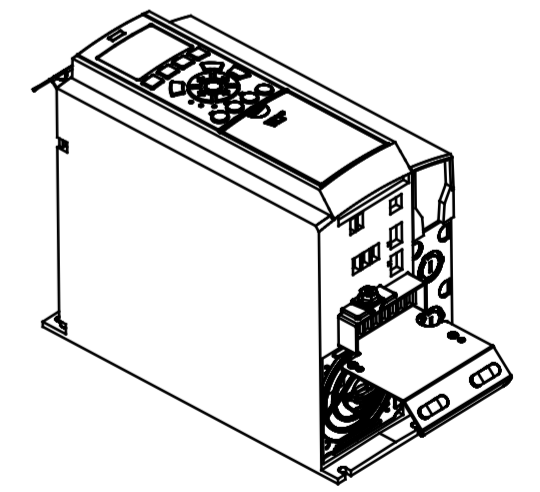
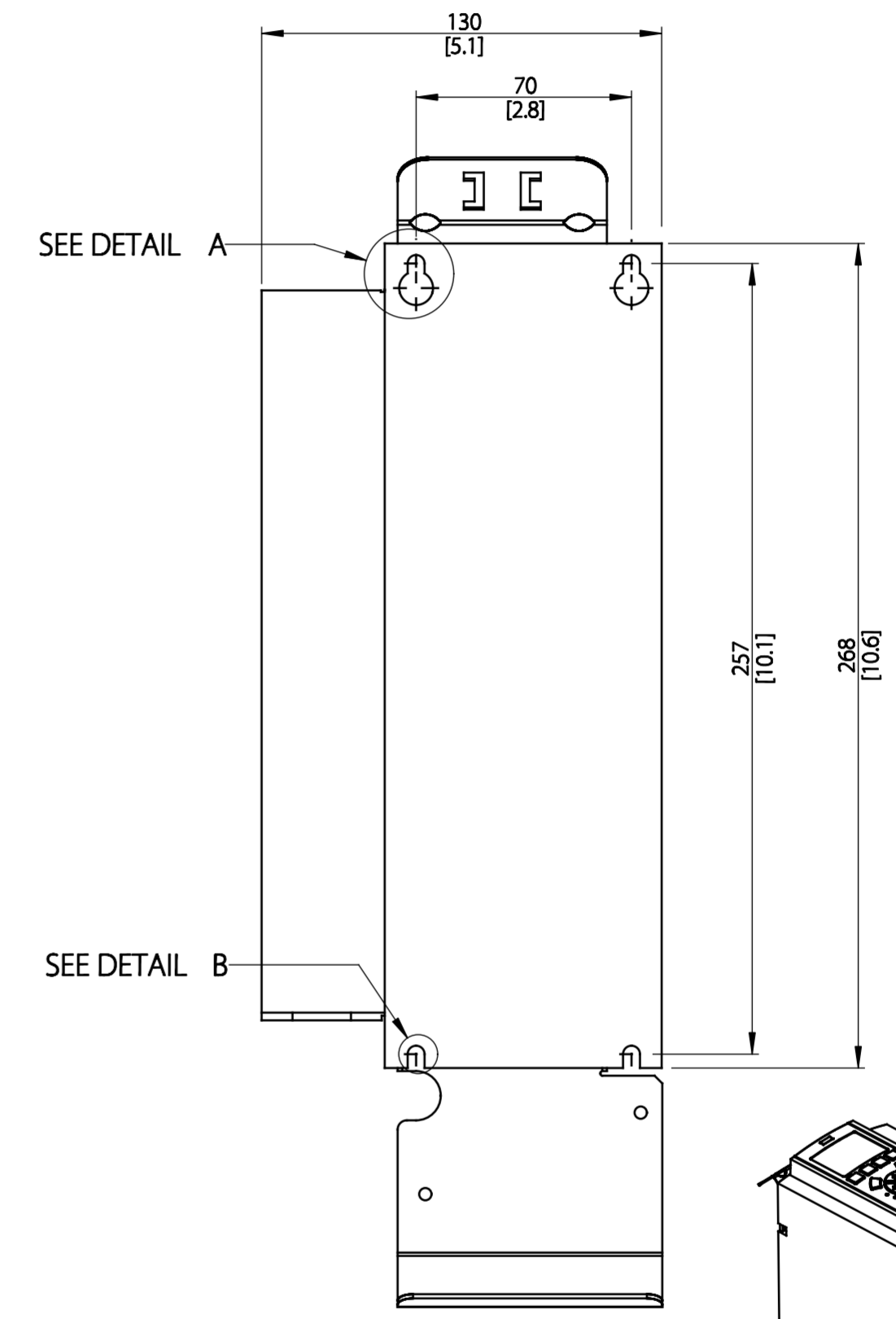
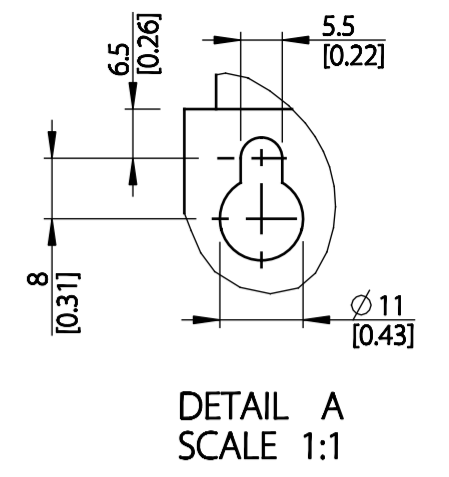
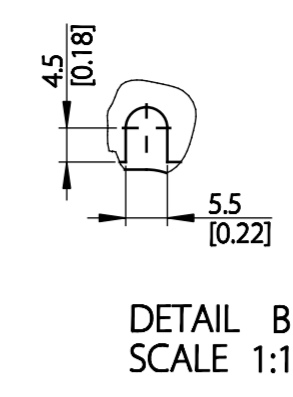
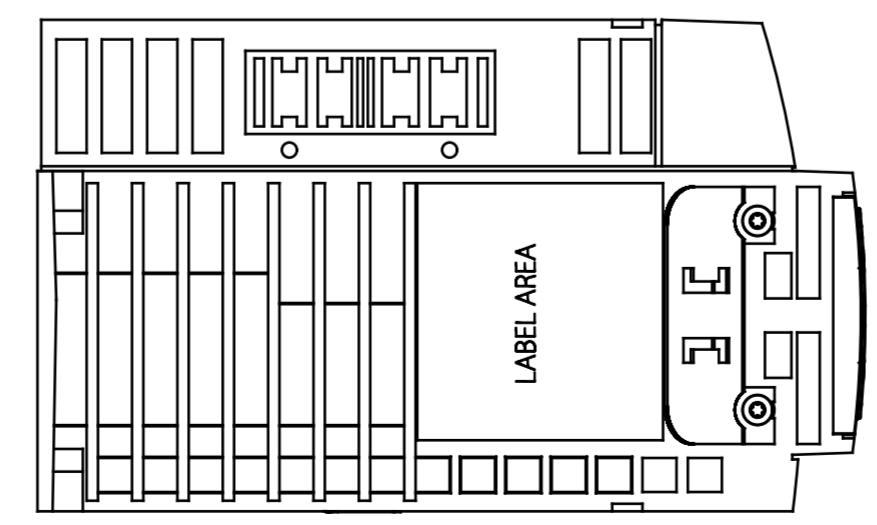
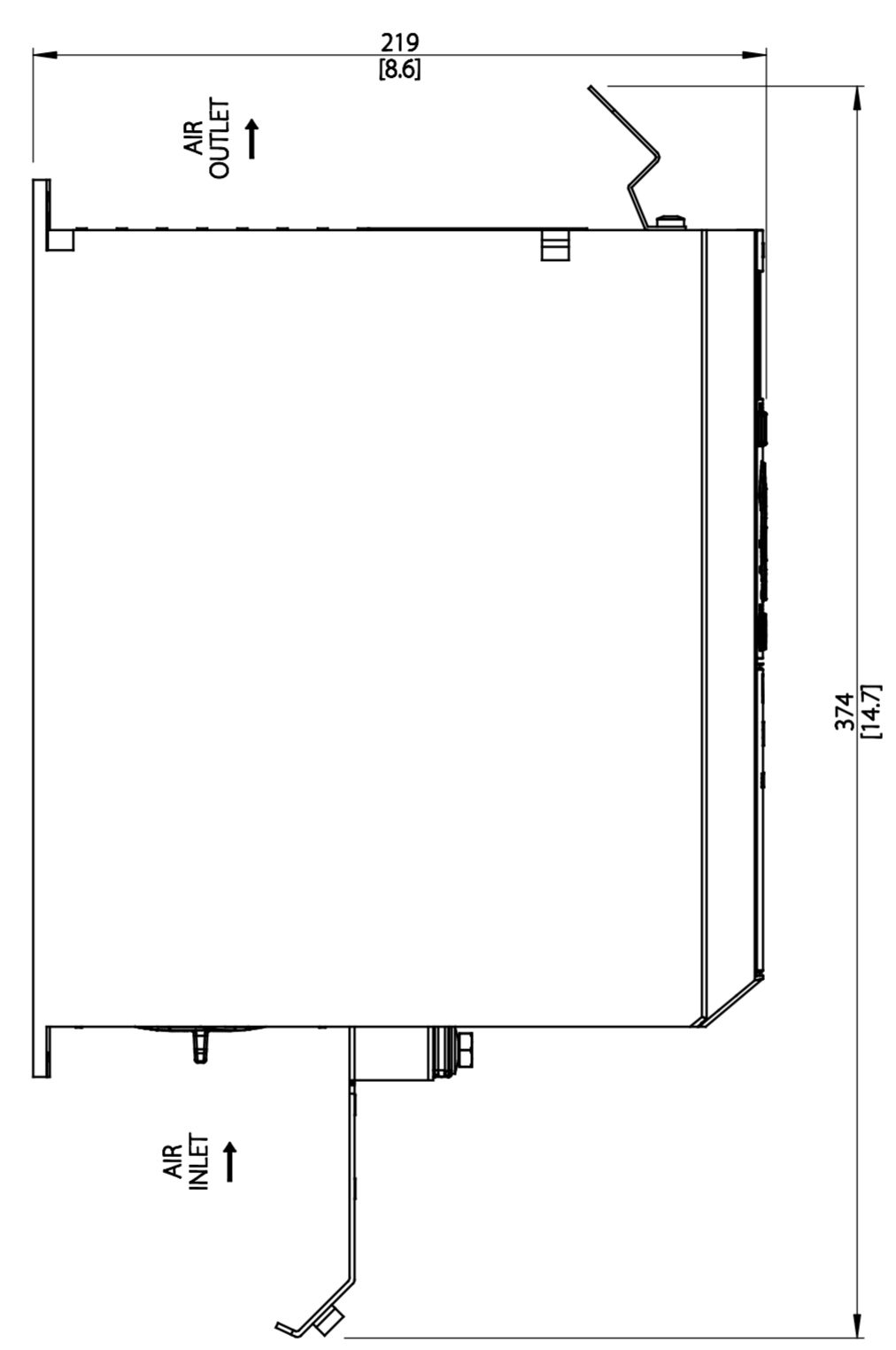
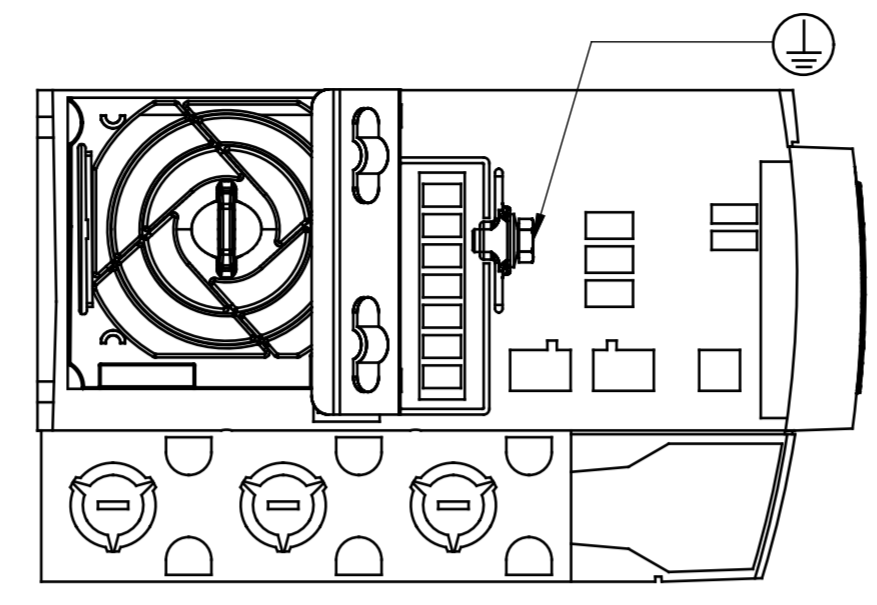
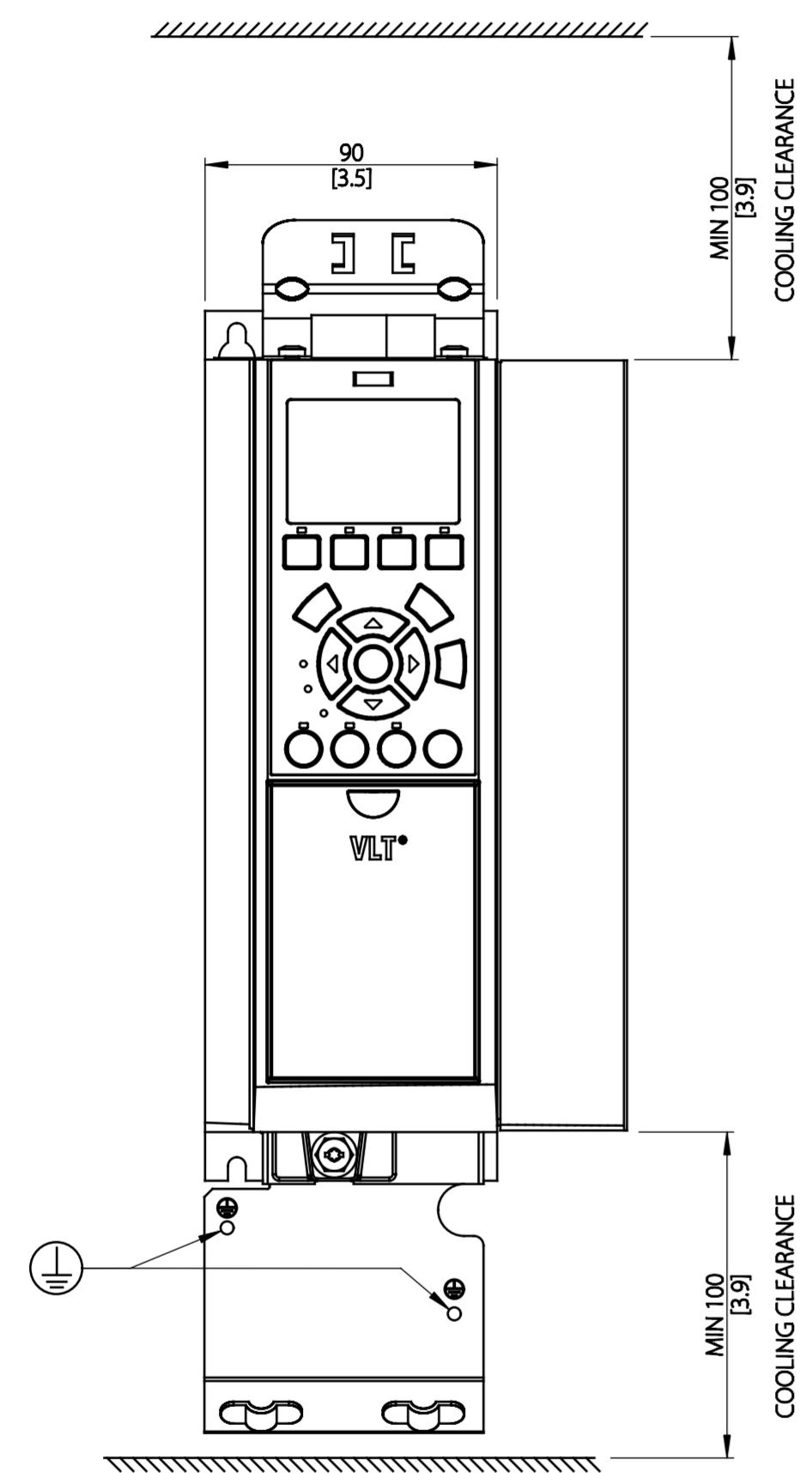


Type	Value
Max Weight	4.9 kg / 10.8 lb
IP Class	IP20 ABC
Nema Class	CHASSIS



THIS DRAWING SHOWS THE MOST COMMON VERSION OF THIS PRODUCT VARIANT.  
SMALL DIFFERENCES MAY OCCUR DEPENDING ON THE FINAL PRODUCT CONFIGURATION.

CENTER OF GRAVITY:  
FOR REFERENCE ONLY, THE PRODUCT CONFIGURATION MAY INFLUENCE THE CG IN ALL THREE AXES.

UNLESS OTHERWISE SPECIFIED THE TOLERANCE IS ±1MM [0.4 INCH]. ALL DIMENSIONS ARE IN MILLIMETERS [INCH]		FIRST ANGLE PROJECTION	SCALE 1:2	DRAWING SIZE A2	MATERIAL				
					FINISH				
CHANGED						DESCRIPTION			
DESIGNED	DANFOSS 27-11-2015					MCAD A2 IP20 ABC			
CHECKED		DRAWING NUMBER							
		MCAD-A2-IP20-ABC							
		REV 001							
		MODEL MCAD-A2-IP20-ABC							
		SHEET 1 OF 1							
PROPERTY OF DANFOSS A/S NORDBOG, DENMARK. TWO OR THREE DIMENSIONAL REPRODUCTION OF CONTENTS TO BE AUTHORIZED BY DANFOSS A/S.									