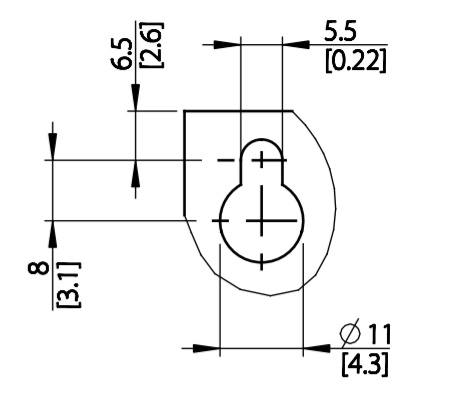
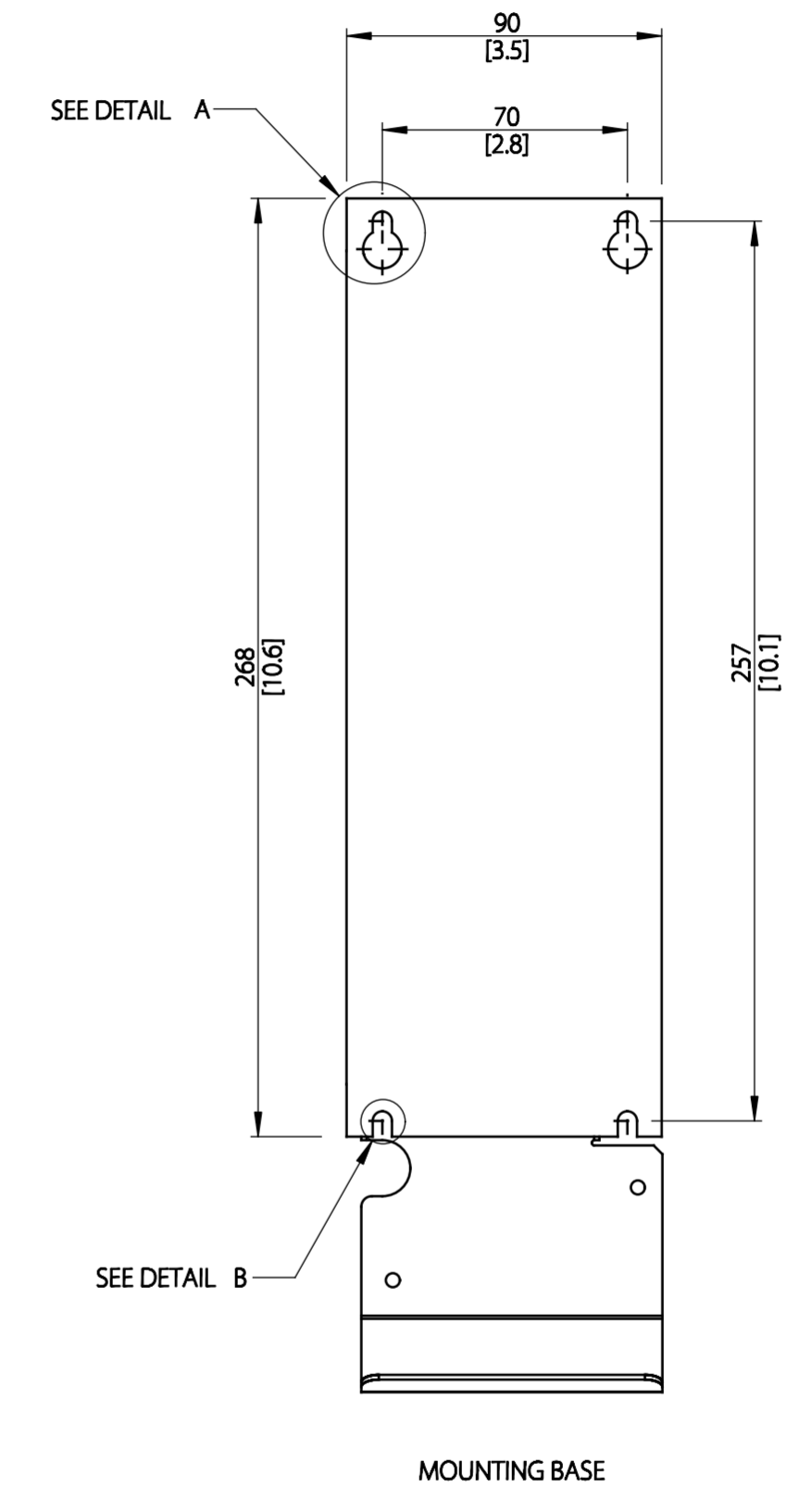
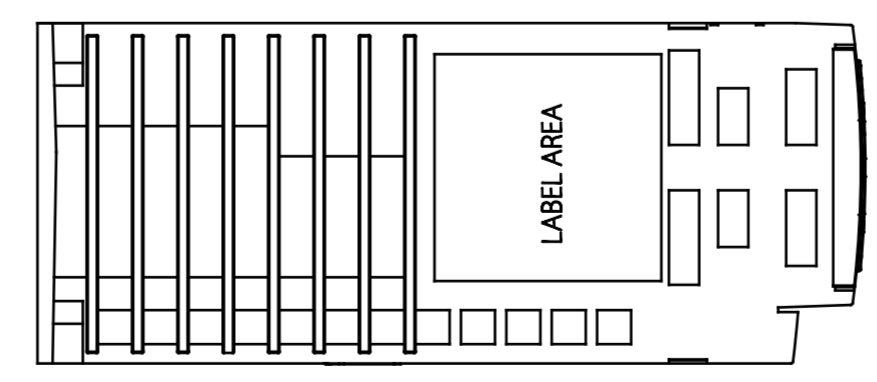
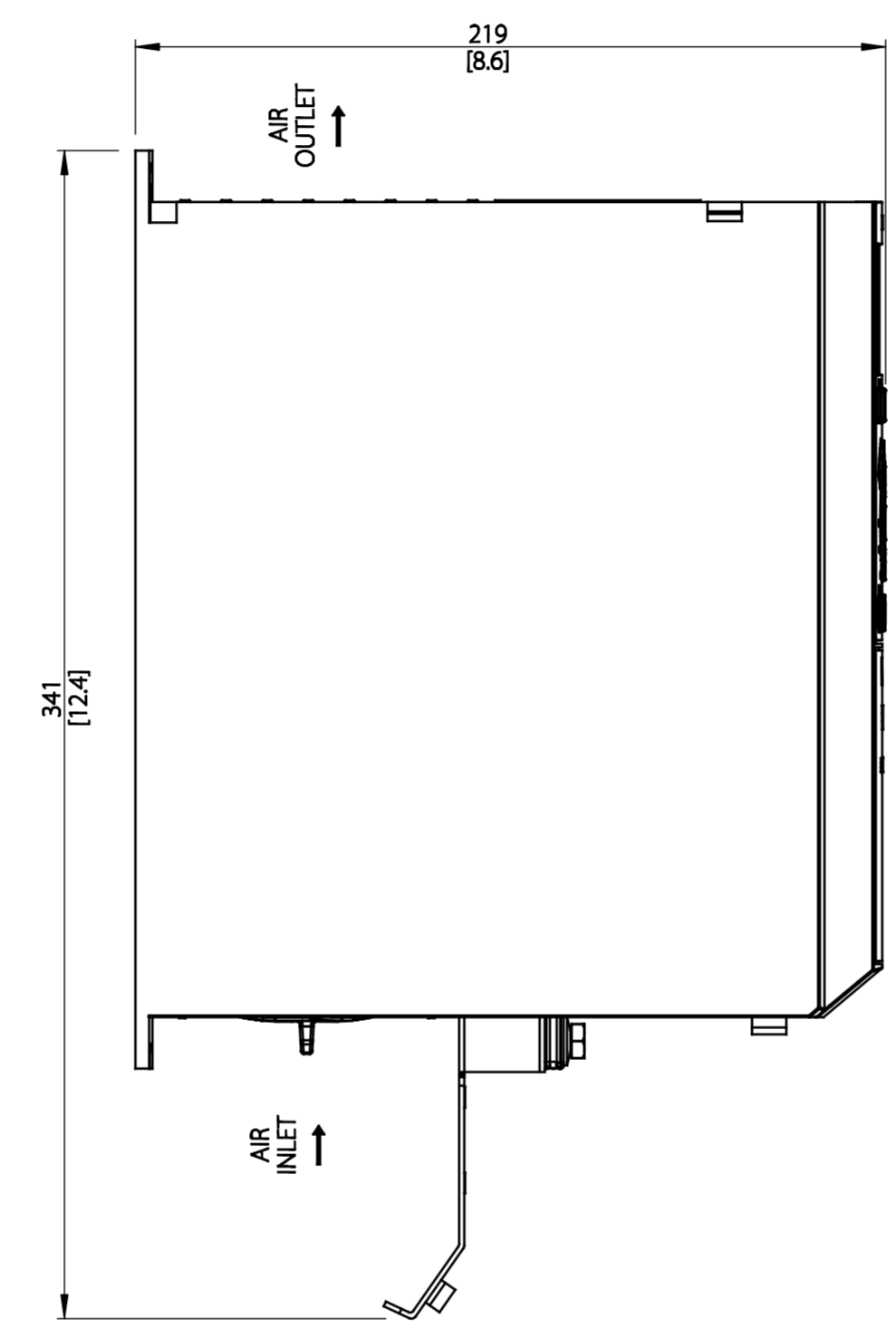
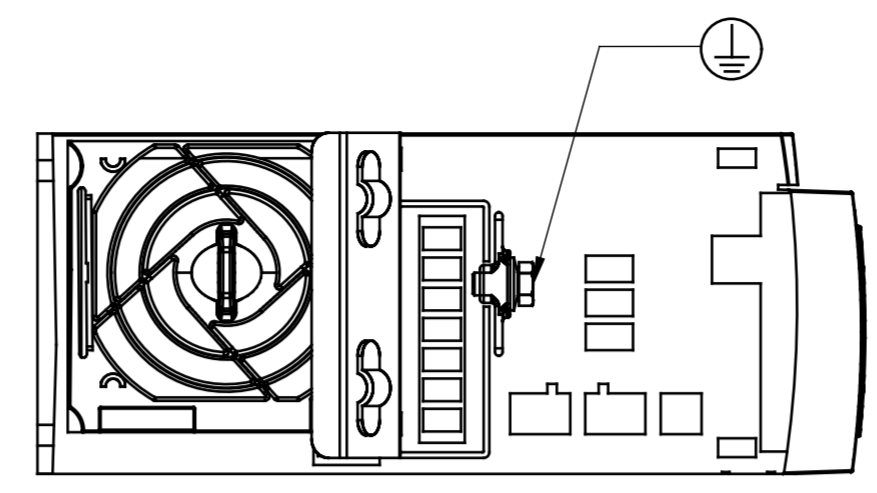
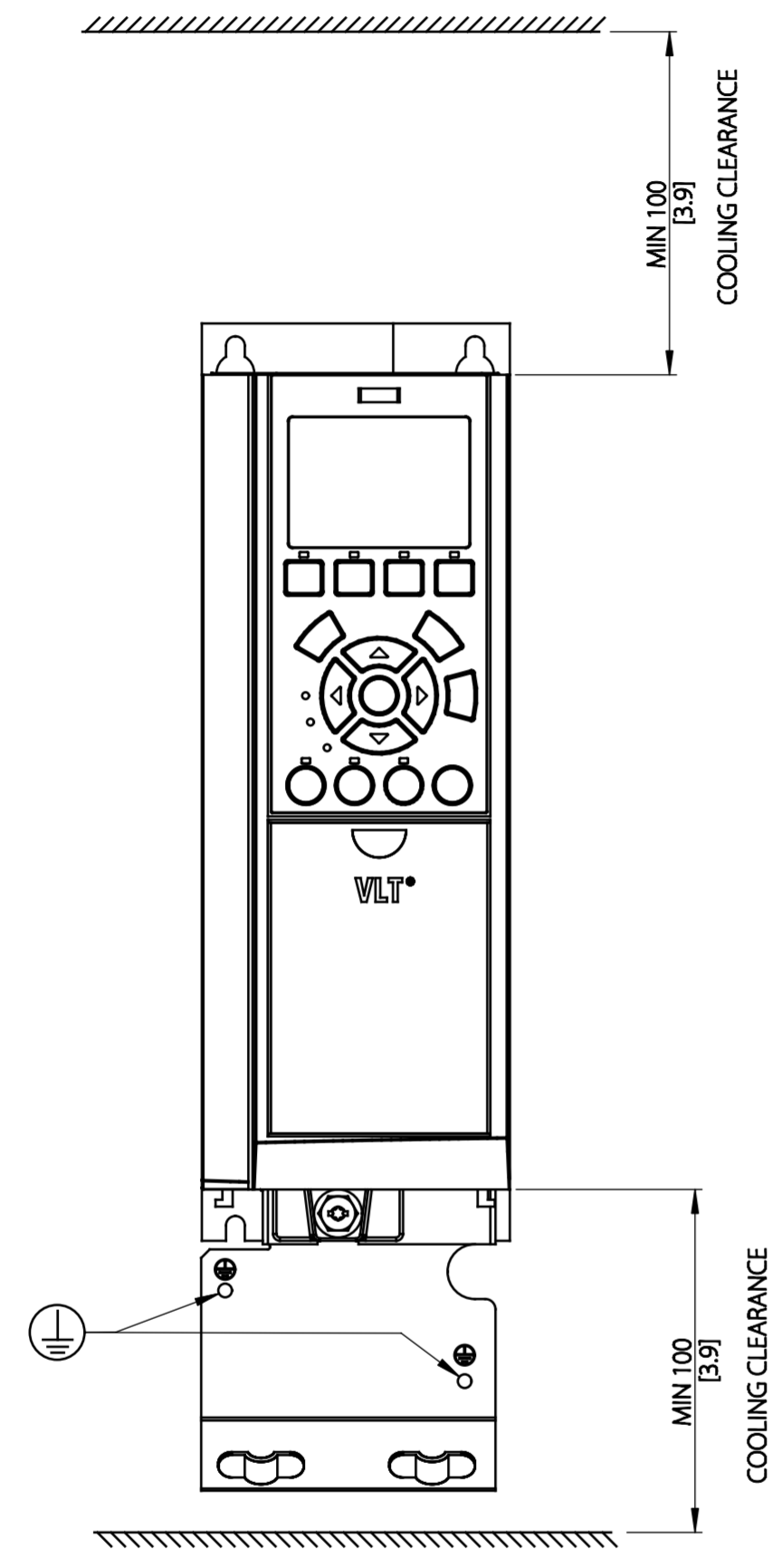
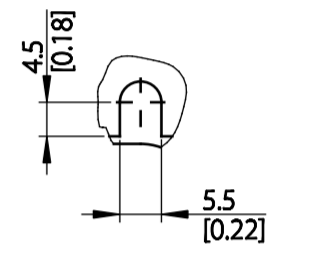


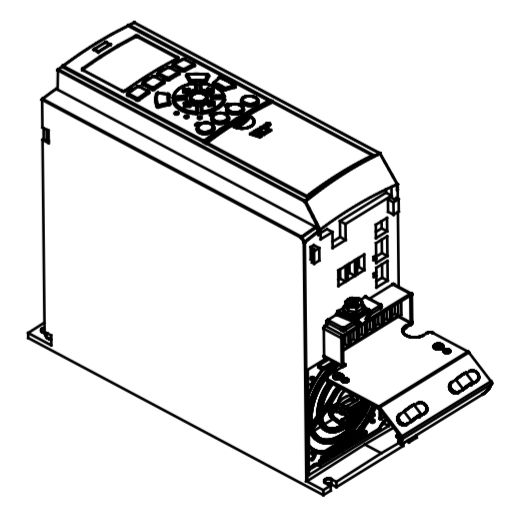
Type	Value
Max Weight	4.9 kg / 10.8 lb
IP Class	IP20 B
Nema Class	CHASSIS



DETAIL A
SCALE 1:1



DETAIL B
SCALE 1:1



THIS DRAWING SHOWS THE MOST COMMON VERSION OF THIS PRODUCT VARIANT.
SMALL DIFFERENCES MAY OCCUR DEPENDING ON THE FINAL PRODUCT CONFIGURATION.

● CENTER OF GRAVITY:
FOR REFERENCE ONLY, THE PRODUCT CONFIGURATION MAY INFLUENCE THE CG IN ALL THREE AXES.

UNLESS OTHERWISE SPECIFIED THE TOLERANCE IS ±1MM [0.4 INCH]. ALL DIMENSIONS ARE IN MILLIMETERS [INCH]		FIRST ANGLE PROJECTION	SCALE 1:2	DRAWING SIZE A2	MATERIAL		
					FINISH		
					DESCRIPTION		
CHANGED					MCAD A2 IP20 B		
DESIGNED	DANFOSS						27-11-2015
CHECKED							
PROPERTY OF DANFOSS A/S NORDBOG, DENMARK. TWO OR THREE DIMENSIONAL REPRODUCTION OF CONTENTS TO BE AUTHORIZED BY DANFOSS A/S.					DRAWING NUMBER MCAD-A2-IP20-B		
					REV 001		
					MODEL MCAD-A2-IP20-B		
					SHEET 1 OF 1		