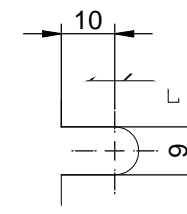
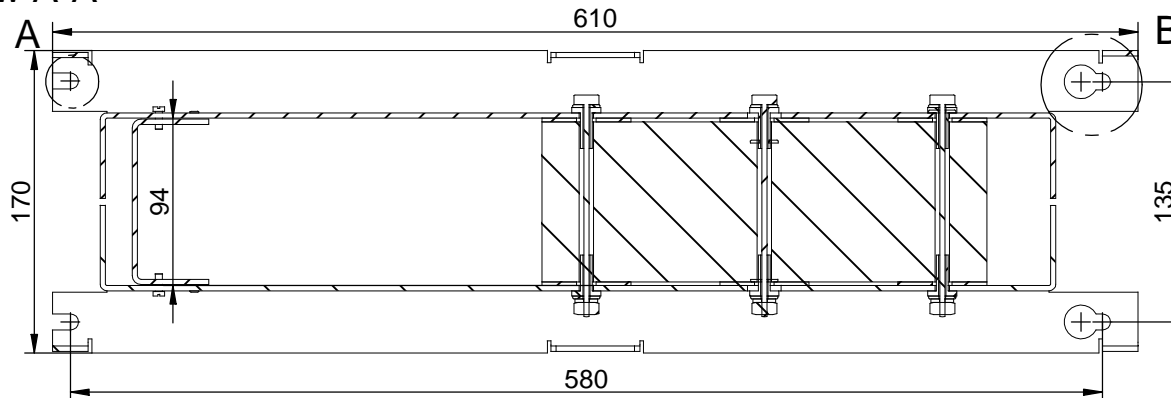
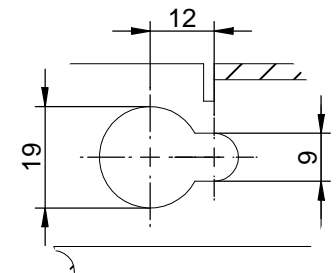


sectional view A-A

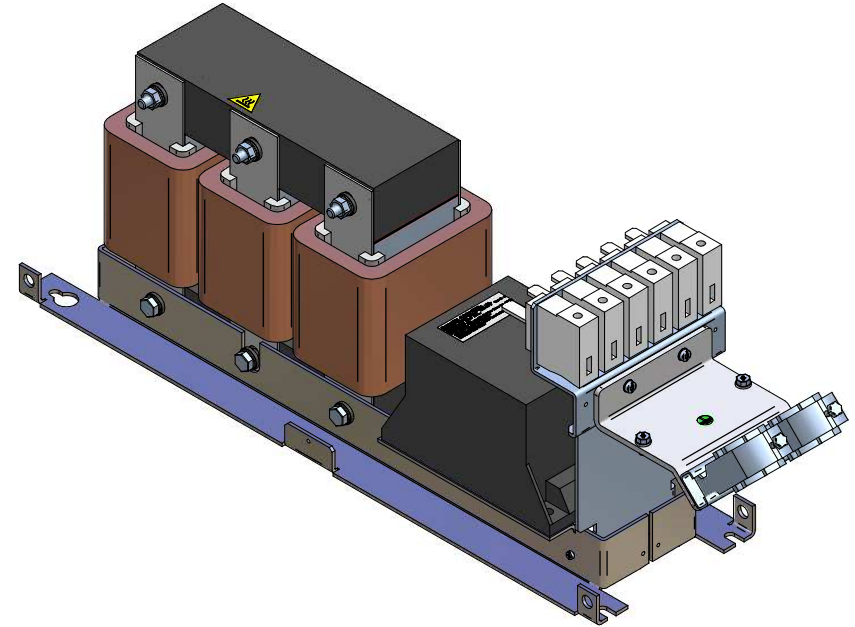
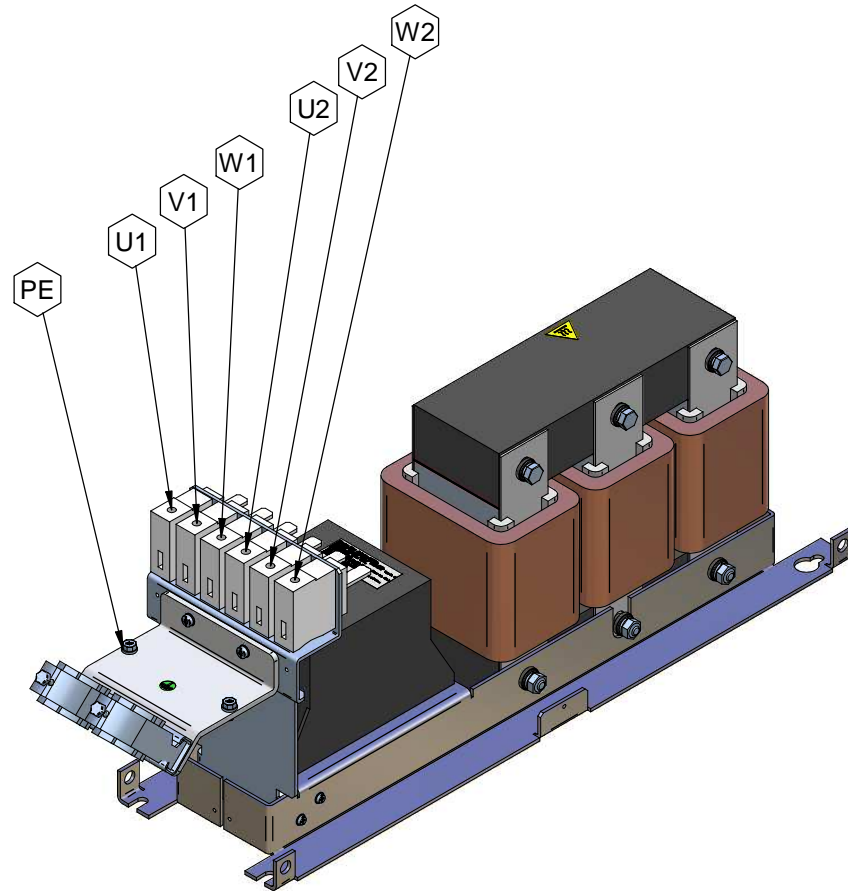


detail A



detail B

*This document may not be duplicated without our written authorization. To not be handed over, copied or used by third party. Two- or three-dimensional reproduction of contents to be authorized.				Dimensions without tolerance statement against DIN ISO 13920	projection	scale: 1:3	DIN A3	weight: 50 kg
				date	name	description: sine wave filter 75A L=0,75mH Cy=30µF		
				plot	Mestermann			
				che.	Sitz			
				DIN:				
C	modification	03.03.2008	Mes.			130B2283		
B	screws added cable housing modified.	03.04.2007	Mes.			FS21147-75-99		
A	hood modified	05.01.2007	Mes.			dev. by:		
num	modification	date	name	dev. for:	CAD-File 0_75mh_75g-100.dft			



*This document may not be duplicated without our written authorization. To not be handed over, copied or used by third party. Two- or three-dimensional reproduction of contents to be authorized.				Dimensions without tolerance statements against DIN ISO 13920	projection 	scale: 1:4	DIN A3	weight: 50 kg
				date	name	description: sine wave filter 75A L=0,75mH Cy=30µF		
				plot	Mestermann			
				che.	Sitz			
				DIN		130B2283		
C	modification	03.03.2008	Mes.			FS21147-75-99		
B	modification	03.04.2007	Mes.			dev. by:		
A	modification	05.01.2007	Mes.			CAD-File 0_75mh_75a-100.dft		
num	modification	date	name	dev. for:				