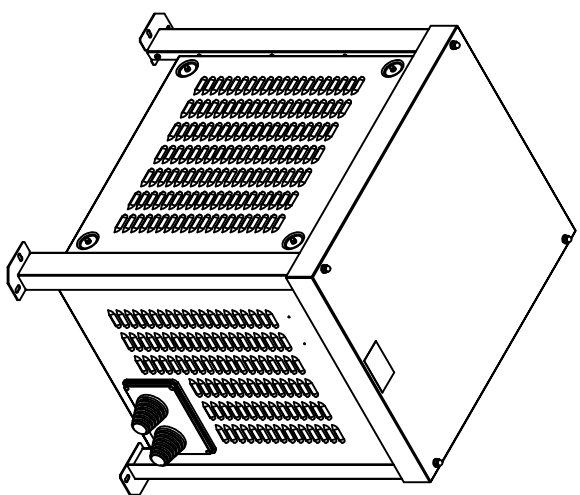
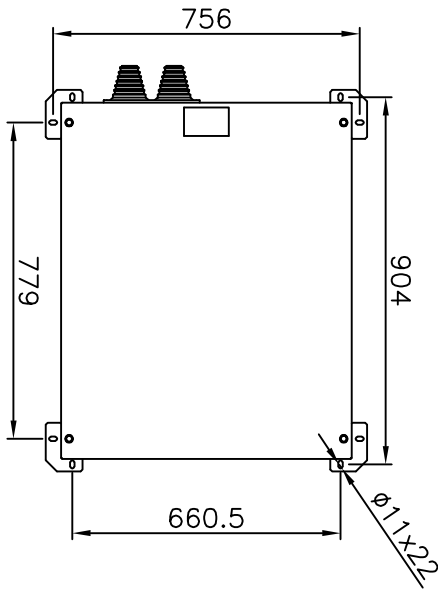
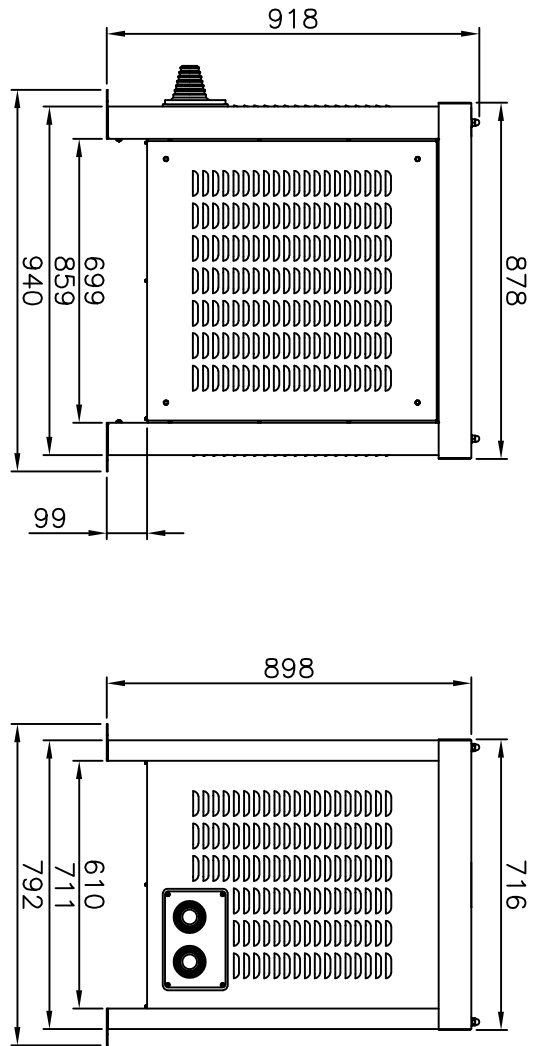


additional informations:
 filter colour : RAL5008 / R9006
 filter weight : 237kg

label:

VLT [®] MCC 101 sine wave FILTER		Danfoss A/S 6433 Nordborg, Denmark	
www.danfoss.com		MCC 101	
T/C: MCC101A180T3E238	S/N: 0301984-178	MADE IN GERMANY	
P/N: 130B3183	1-3301H	CPE-101F	
3X380-50Hz-50kVA/400kVA/100kVA	1-3301F	F101	
3X380-50Hz-50kVA/400kVA/100kVA	1-3301F	F101	
NEMA: 7/723 Tank 45°C/115°F	Filter: 850V	Weight: 237kg	
130B3183/000180-178	Lighting: 100µm	Temperature: 50,00/min	
Use only with a type 1 or type 2 SPD overvoltage control device			
E13622 Int.Conv.Eng. HENI	B 100 073.2 FA Nr.: 000003	EN 6158 CE	
Birnsyl:47°C	See manual for requirements		



e|26.04.16| Schr. / Fle. | type|label updated, Danfoss Postaddress included
 d|05.11.14| Schr. / Fle. | type|label updated
 c|08.04.13| Schr. / Kor. | type|label updated
 b|06.03.13| Schr. / Kor. | type|label updated
 a|30.09.10| KOR / Lauer | approval added

date	name	amendment
------	------	-----------

Dimensions toleranced according to ISO 2768-m						
Tolerance class	0.5 to 3	from 3 to 6	from 6 to 30	from 30 to 120	from 120 to 400	from 400 to 1000
m (middle)	±0.1	±0.1	±0.2	±0.3	±0.5	±0.8

drawn	01.06.10	Korrau	Korrau	scale	1:15
checked	01.06.10	Bremer	Bremer	formate	A4
date		name	signature		

Dimensions B 1001073.2
 sine-wave filter 500V 180A – IP23

order number	130B3183	drawing number	Z791004027	modi.	e	sheet	1/1
--------------	----------	----------------	------------	-------	---	-------	-----

Please observe protection clause to ISO 16016