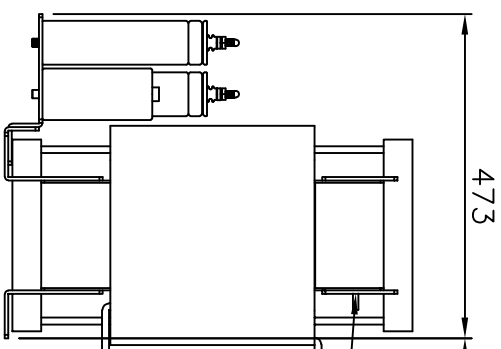
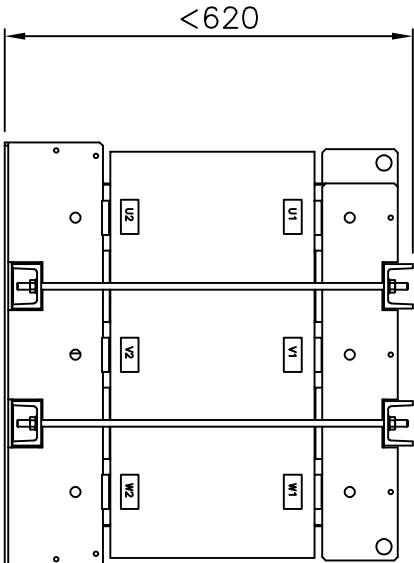


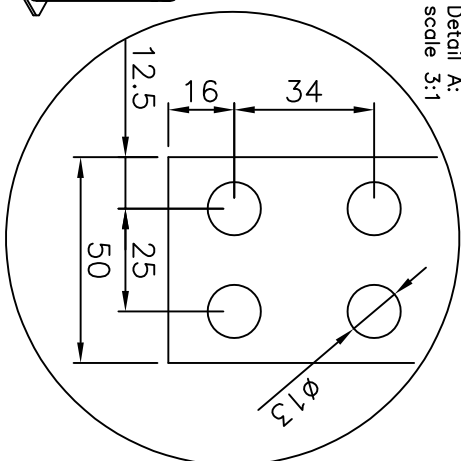
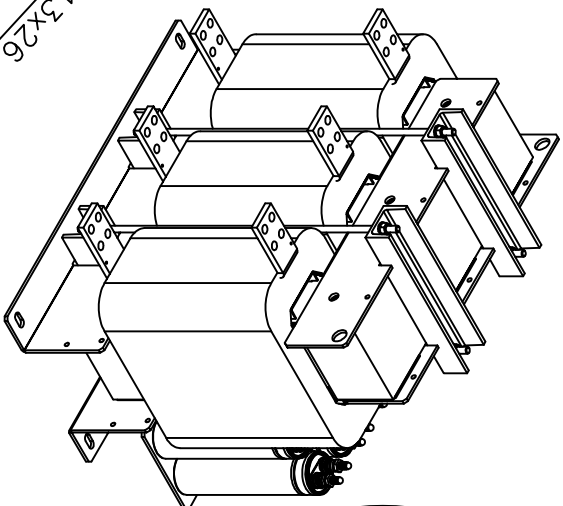
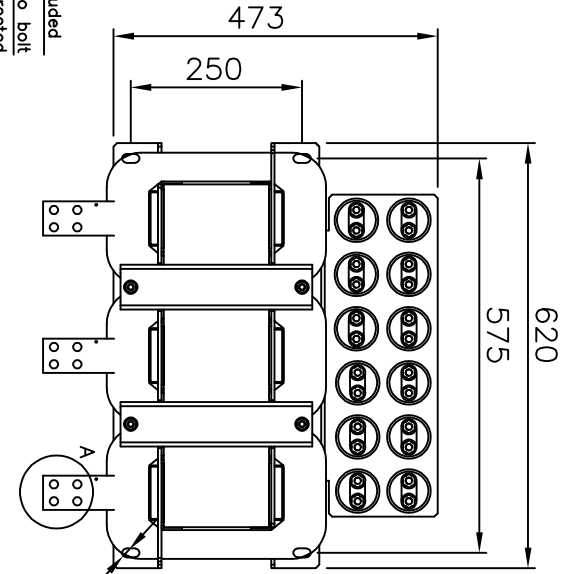
additional informations:  
 filter colour : impregnated  
 filter weight : 450kg

**VLT** MCC 101 sine wave FILTER  
 www.danfoss.com  
 Danfoss A/S 6620 Nordborg Denmark  
 T/C: MCC101A80073E00B S/N: 000159-186  
 P/N: 130B3193  
 3x 38C-500V-50/80Hz (max. 100Hz)  
 45°C (max. 50°C) @100Hz  
 Chassis/FP0 Term. 45°C/13F  
 Weight: 450kg  
 Tightening torque terminal: 50Nm  
 Use only with a type 1 or type 2 SPD semiconductor control device.  
 E212022 E 1001072 FAAX: 000000  
 EN 61558 CE



PE bolt M10  
 (2x washer, 1 lock washer, 1 nut)

Detail A:  
 scale 3:1



- e 03.05.16 Schr./Fle. typeplabel updated
- d 12.01.15 Schr./Fle. Danfoss Postaddress included
- c 14.07.14 Schr./Fle. typeplabel updated
- b 11.03.13 Schr./Kor. cap. connectors changed to bolt numbers of capacitors corrected
- a 01.10.10 KOR/Lauer typeplabel updated

Dimensions	toleranced	according to	ISO 2768-m			
Tolerance class	0.5 to 3	from 3 to 6	from 6 to 30	from 30 to 120	from 120 to 400	from 400 to 1000
m (middle)	±0.1	±0.1	±0.2	±0.3	±0.5	±0.8

drawn	01.06.10	Kornrau	Kornrau	scale	/
checked	01.06.10	Bremer	Bremer	formate	A4
date			signature	DIN ISO 5456	

Dimensions B 1001078  
 sine-wave filter 500V 800A - IP00

order number 130B3193  
 drawing number Z791004008  
 mod. e sheet 1/1

Please observe protection clause to ISO 16016