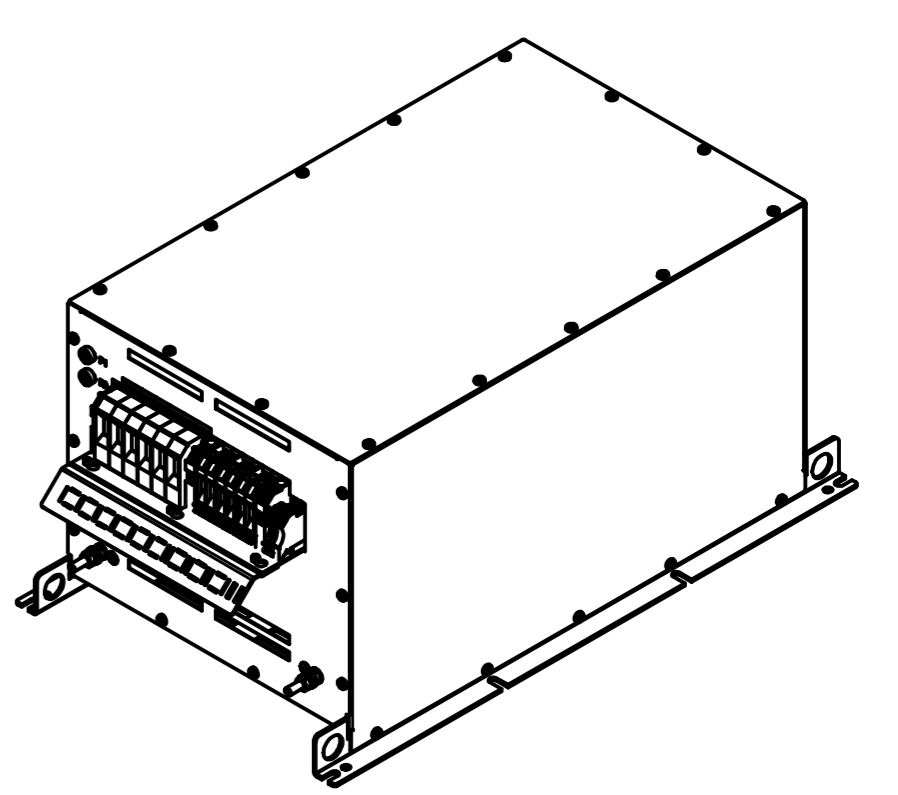
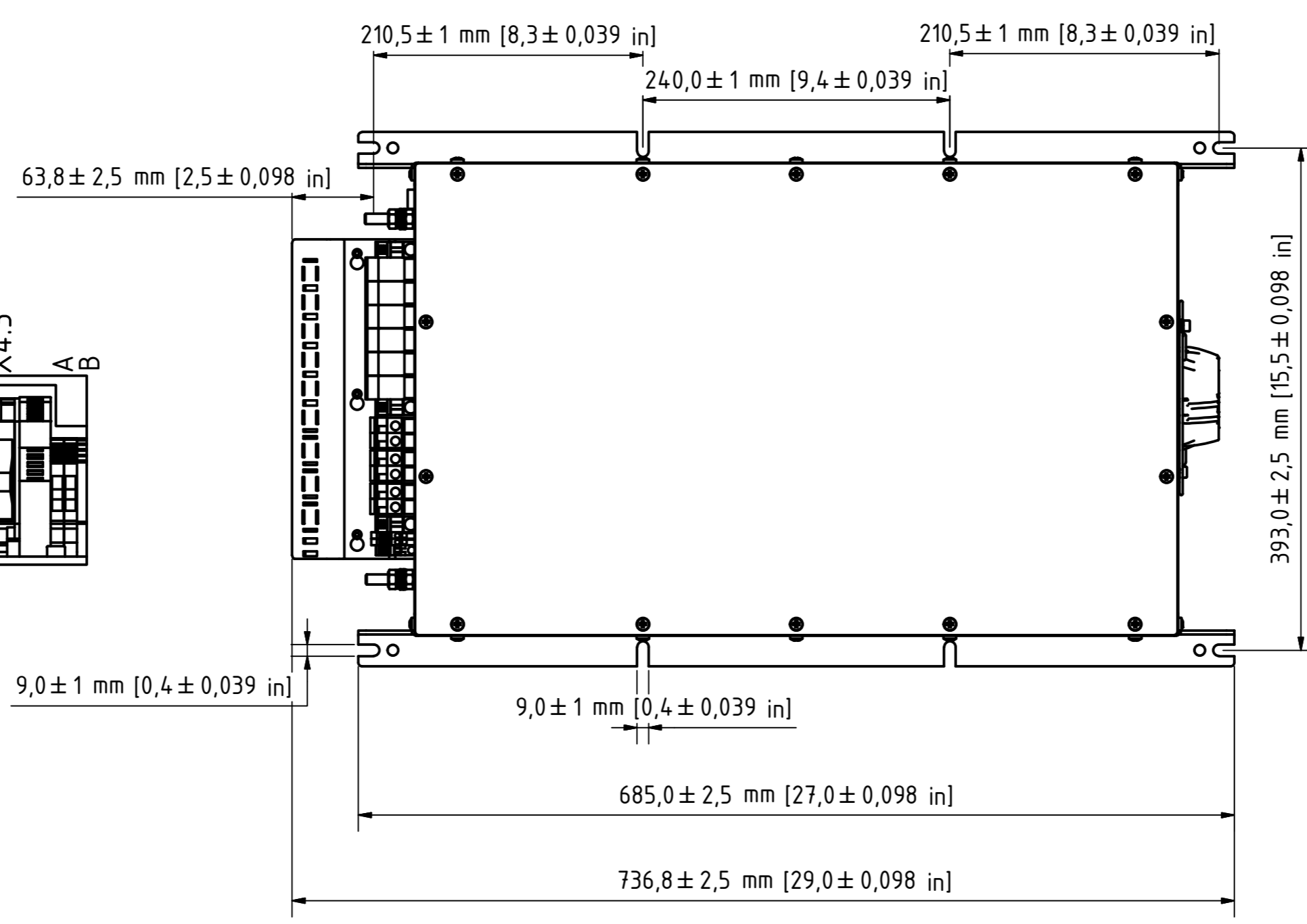
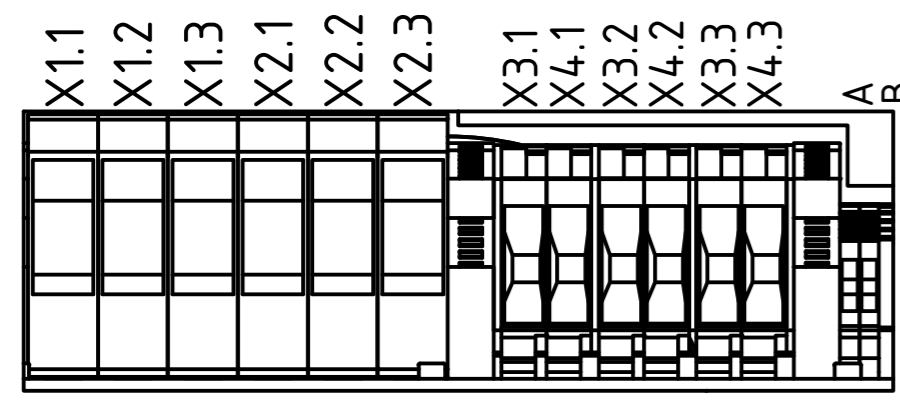
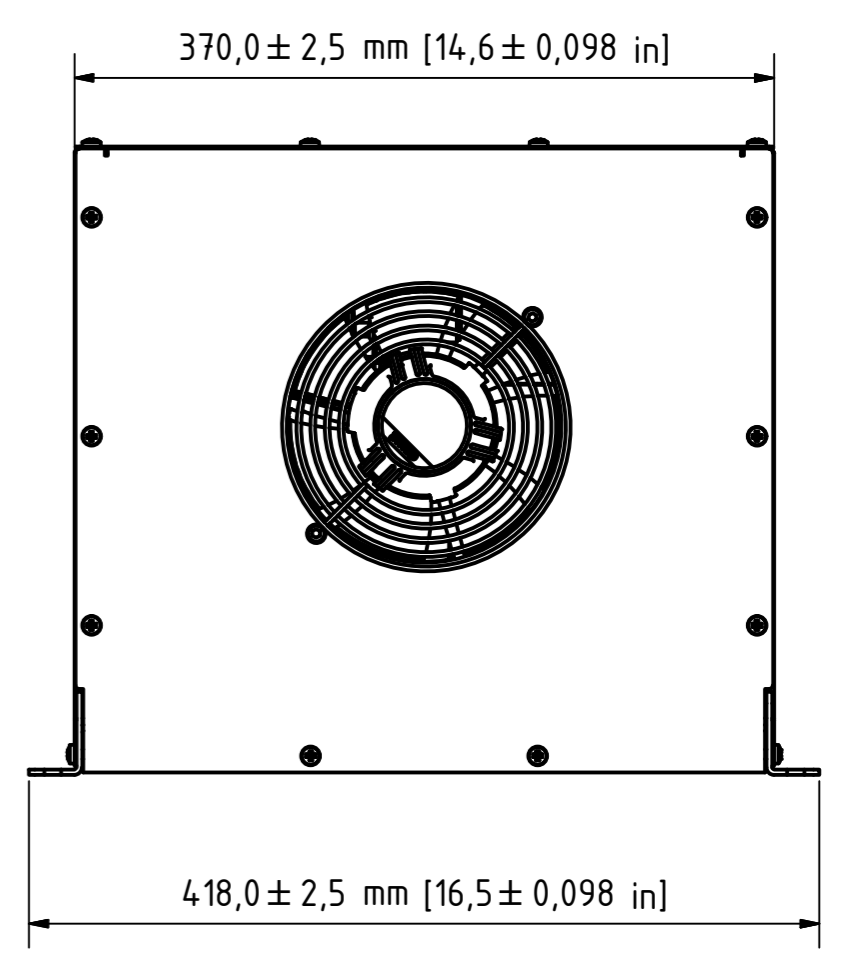
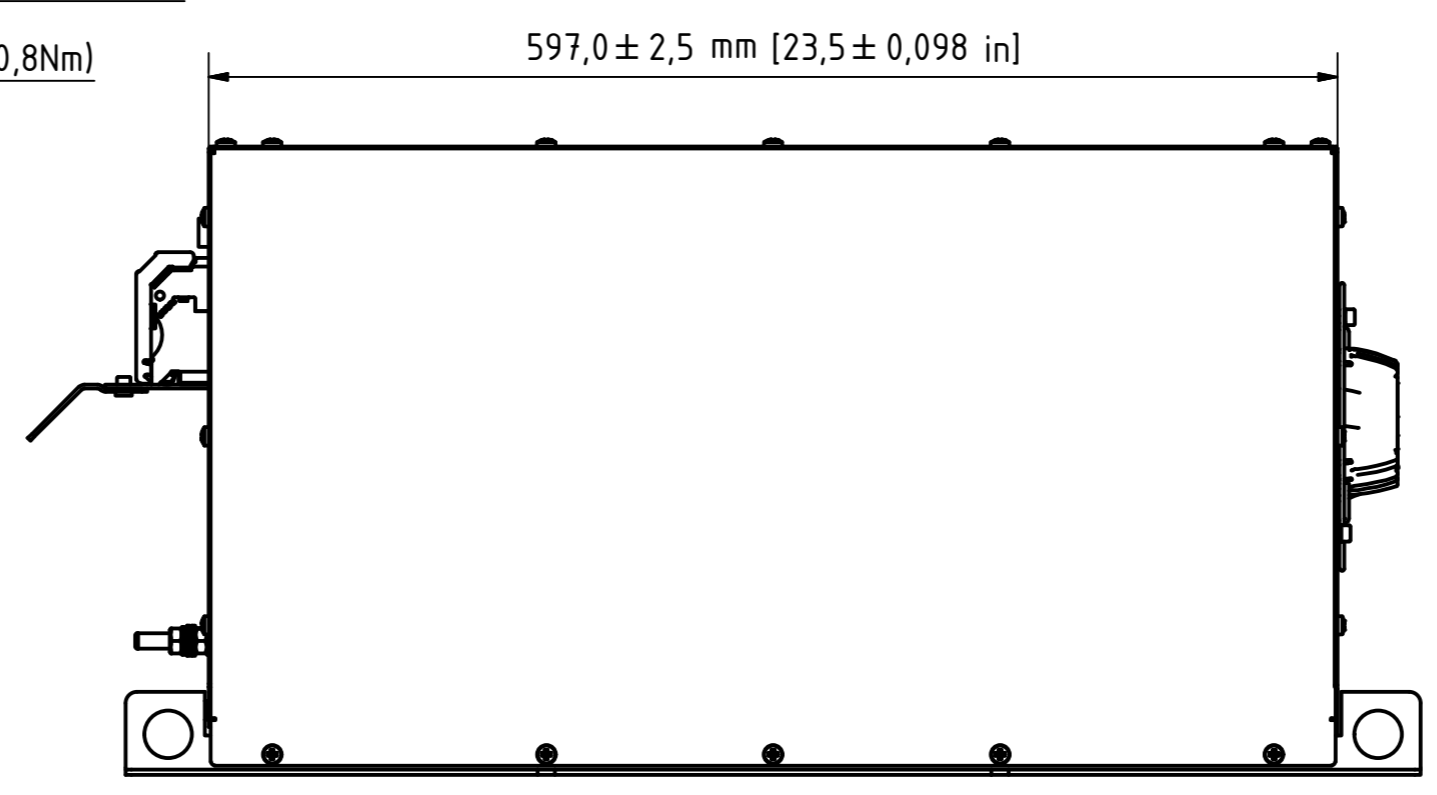
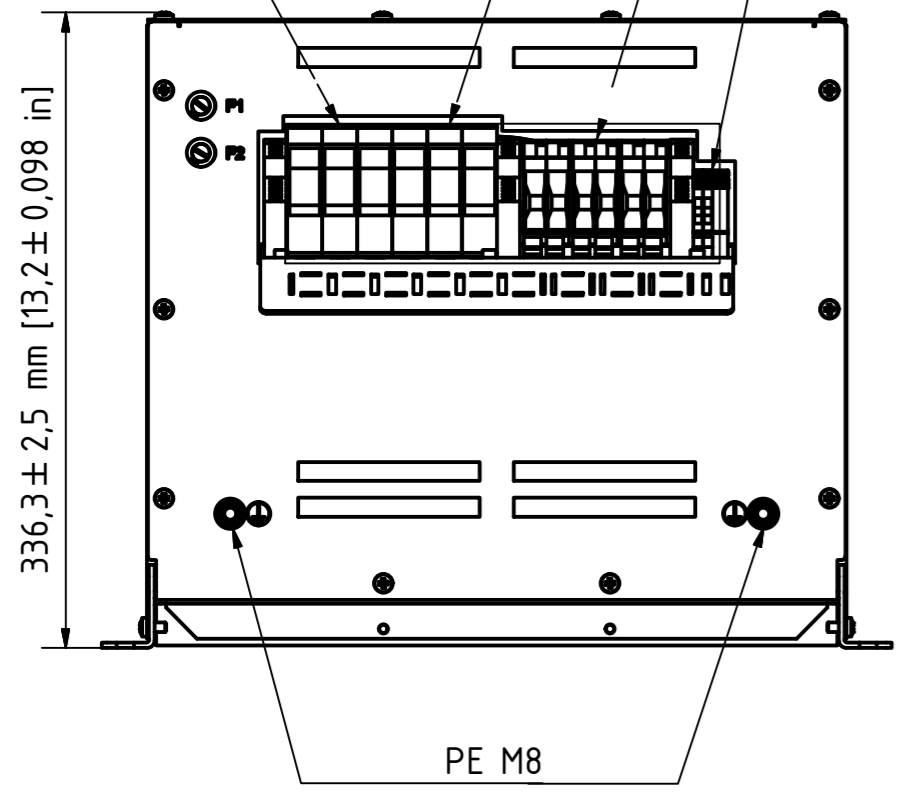


X1 Mains 50mm²(5Nm)
 X2 Drive 50mm²(5Nm)
 X3/X4 Capacitor disconnect 16mm²(3,5Nm)
 A/B Temperature 2,5mm²(0,8Nm)

X5



				DATE	Name	Designation	
				Drawn 17.03.2014	CM	X5 IP20 with internal fan 2	
				Reviewed 21.08.2014	MK		
				Standard	DIN 2768-1 V		
				Scale drawing	1:1		
				Print scale	Approx. 1:5	Drawing Number	
R	Terminals	14.03.16	1			X5 C IP20 if2	
R	Dimensions	04.07.14	1			1	
Status	Modifications	DATE	Name			A2	
						P:\14_P&D\12_Entwicklung\13_CAD_Baufreizechnungen\13_Bereitete\13_Überschwingungfilter\GehäuseX5	