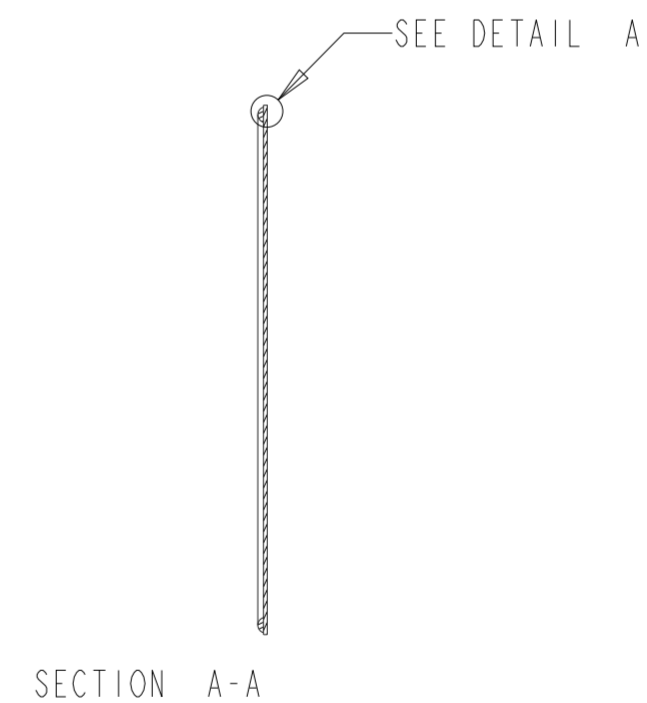
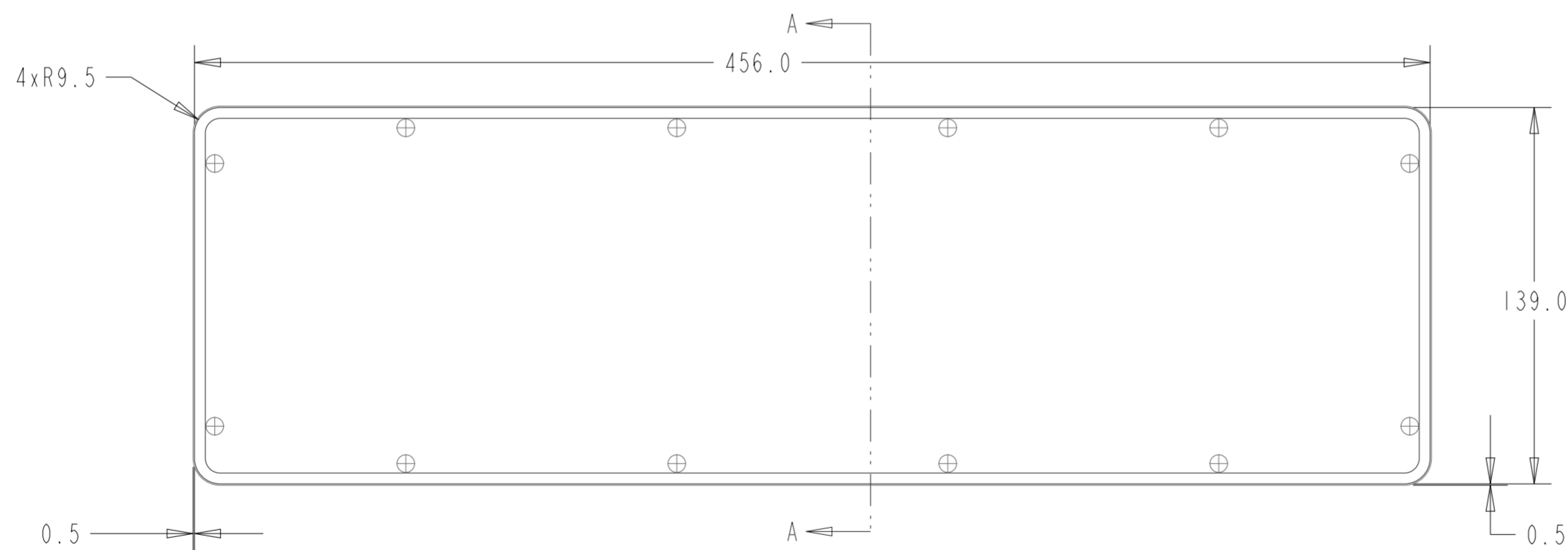
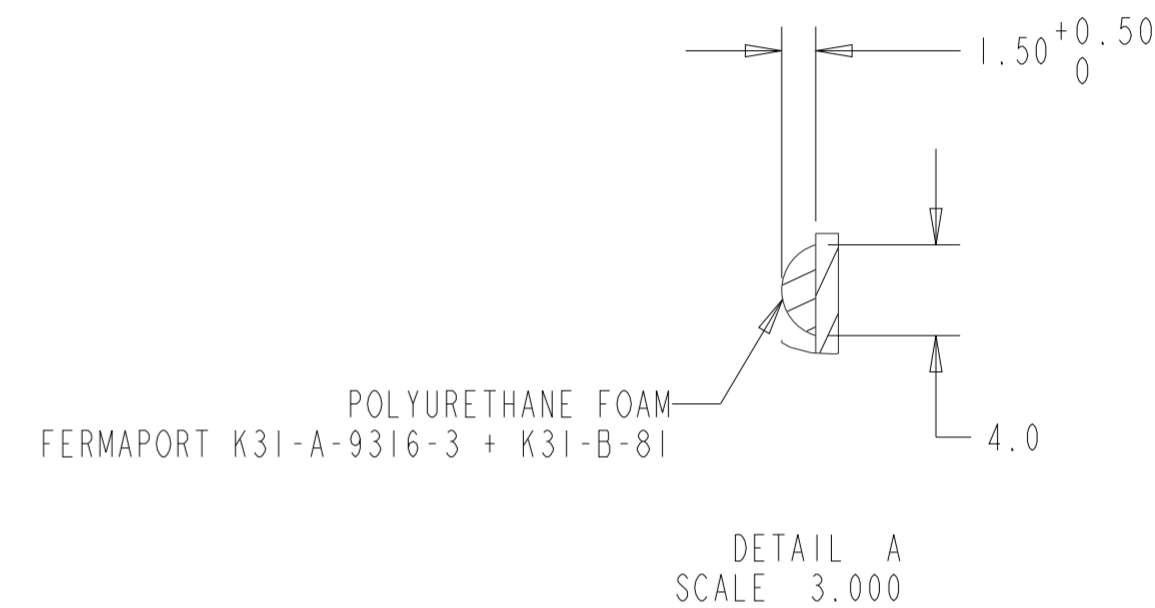
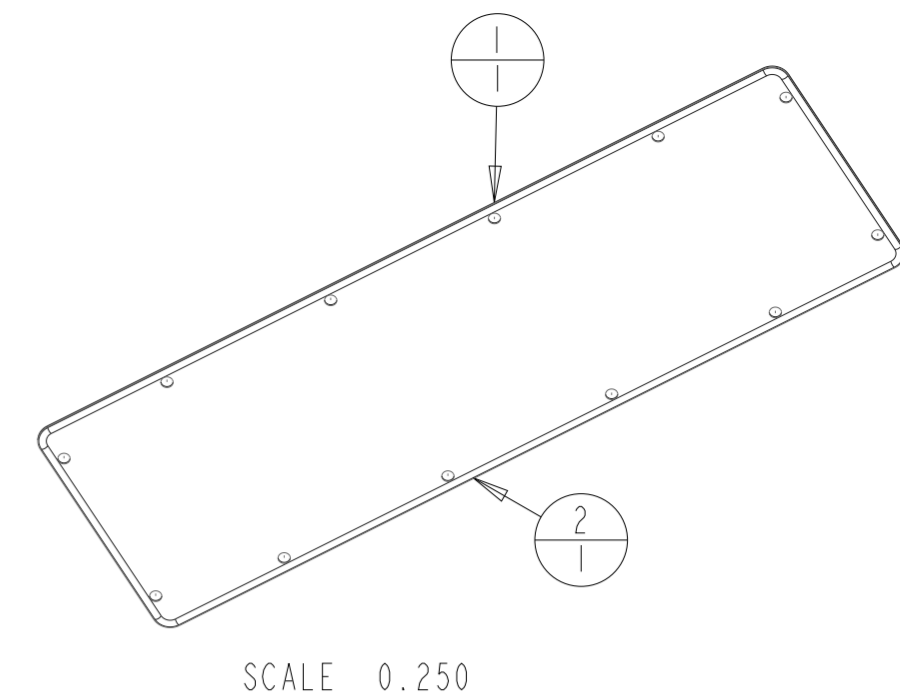
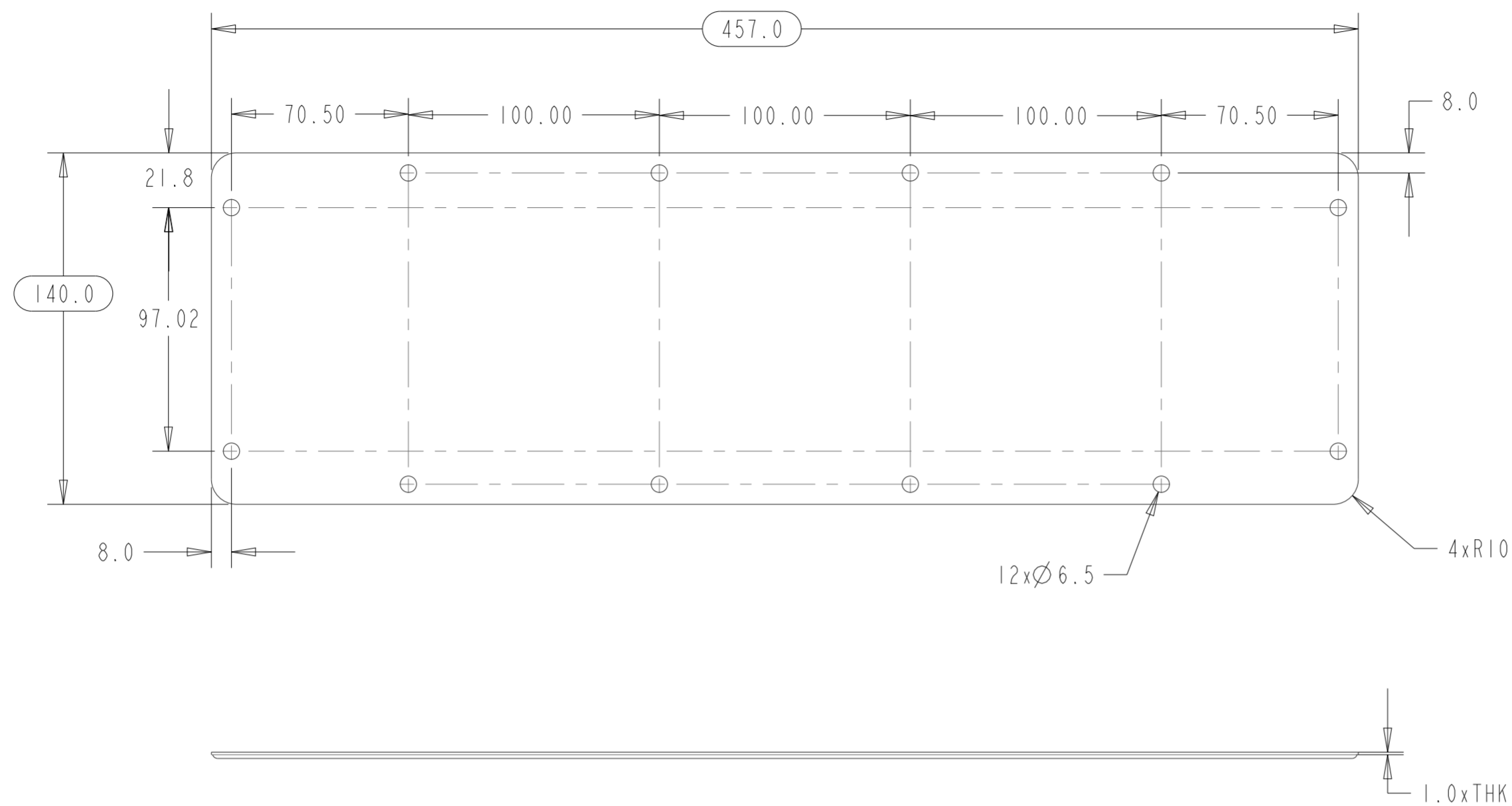


| ITEM | PART NUMBER          | QTY | COMMENTS |
|------|----------------------|-----|----------|
| 1    | 132a1395(70CMC13491) | 1   |          |
| 2    | 70CMC13491-GASKET1   | 1   |          |



- NOTES:
- BEND RELIEFS TO BE MAXIMUM 1.5 TIMES THE MATERIAL THICKNESS, UNLESS NOTED.
  - BURR ALLOWABLE TO 15 PERCENT OF MATERIAL THICKNESS.
  - INSIDE BEND RADII TO BE EQUAL TO THE MATERIAL THICKNESS, UNLESS NOTED.

⊕ CRITICAL CHARACTERISTICS  
 ▽ KEY CHARACTERISTICS  
 ○ INSPECTION  
 MUST COMPLY TO ROHS DIRECTIVE 2011/65/EU

|  |              |                        |                |   |   |
|--|--------------|------------------------|----------------|---|---|
| UNLESS OTHERWISE SPECIFIED<br>INTERPRET DIM. & TOL. PER ASME Y14.5M-1994<br>ALL DIMENSIONS ARE IN MILLIMETERS<br>.X±0.4 .XX±0.20 ≤ ±1.0  |              | THIRD ANGLE PROJECTION | SCALE<br>0.500 | SIZE<br>A2  | MATERIAL<br>DX51D+Z275MAC<br>GALV. STEEL / EN10327; S=1.0 |
| — PDM CONTROLLED DRAWING —<br>NOT VALID WITHOUT FROZEN DATE IN ID STAMP  |              |                        |                | DESCRIPTION<br>FAB, BRKT, DX51D, P7023-TOP ENTRY EXIT CABLE TOP COVER |   |
| CHANGED  |              |                        |                | DRAWING NUMBER<br>132a1395(70CMC13491)                                | REV<br>001  |
| DESIGNED   | JHS 09/27/17 |                        |                | MODEL<br>132a1395(70CMC13491)   | SHEET<br>1 OF 1   |
| CONFIDENTIAL - PROPERTY OF DANFOSS A/S NORDBORG, DENMARK. NOT TO BE HANDED OVER TO BE COPIED OR BE USED BY A THIRD PARTY. TWO OR THREE DIMENSIONAL REPRODUCTION OF CONTENTS TO BE AUTHORIZED BY DANFOSS A/S. |              |                        |                |   |   |