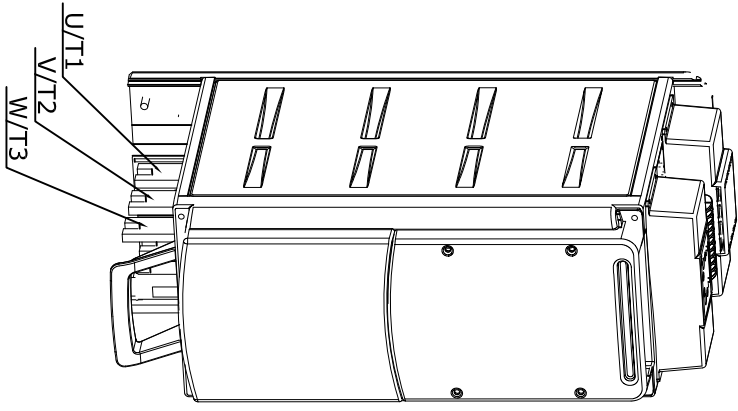


D; Terminal and cooling connection information added

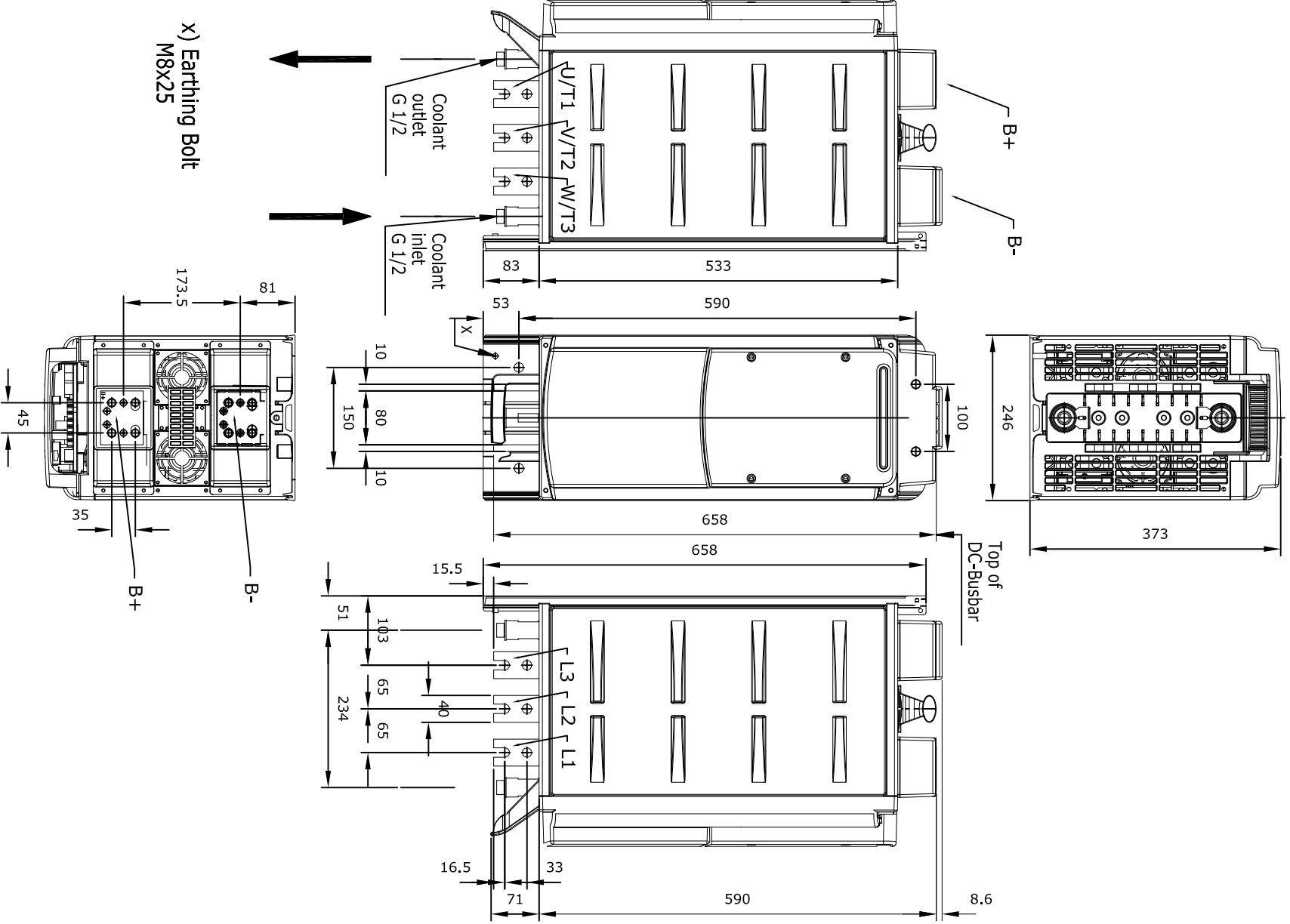
E; Dimensions updated

A B C D E F

1 2 3 4 5 6 7 8



x) Earthing Bolt  
M8x25



# VACON

DRIVEN BY DRIVES

Material

Mass

Title  
Dimension Drawing  
CH61 FC

Prepared M.Pussinen/27.02.06

Checked

Approved

Vacon Oyj

Vacon ID-nr:

Tolerance

Doc. no.

FW61900

Based on:

Scale

Revision

E



Sheet

Cont.

1

A B C D E F