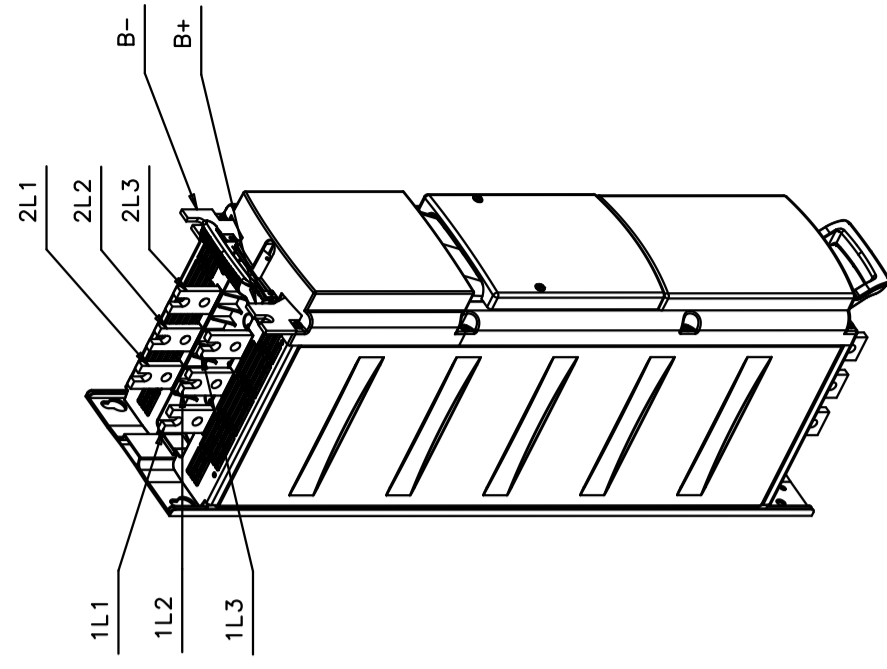
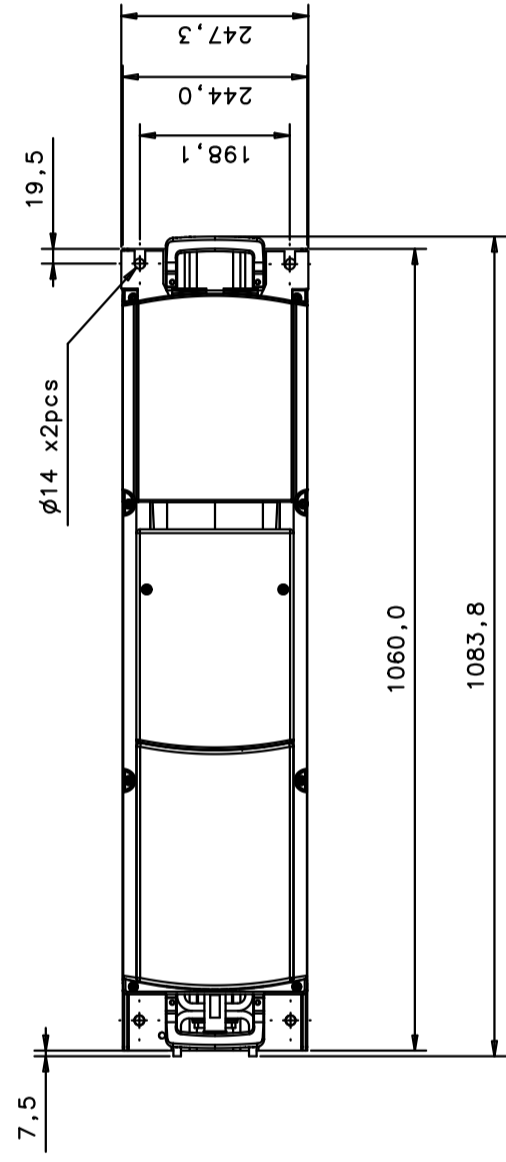
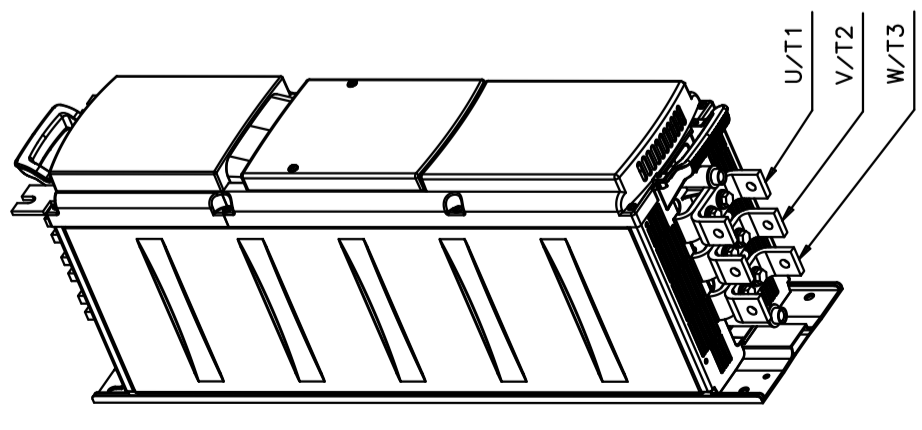
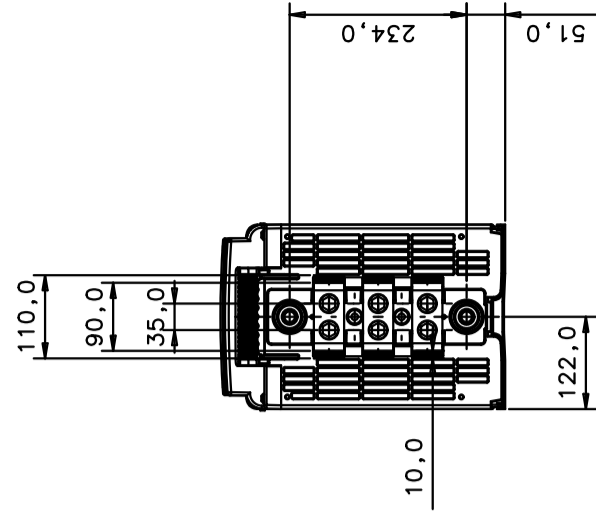
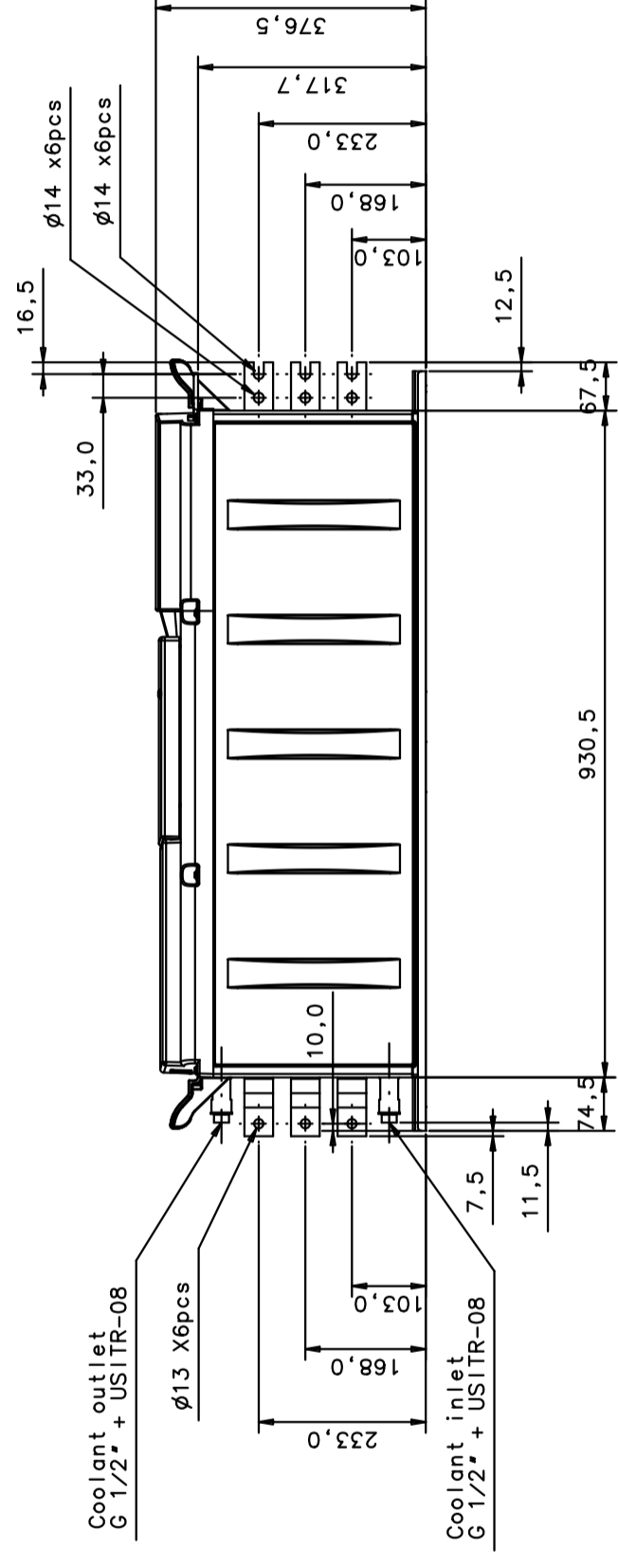
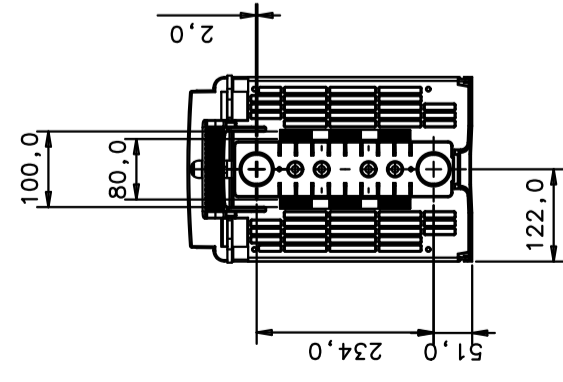
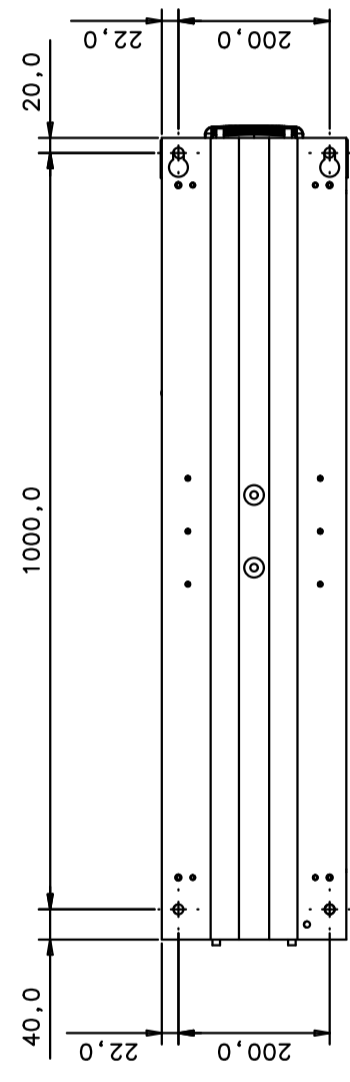


0 Reproduction, use or disclosure to third party forbidden. All rights reserved.

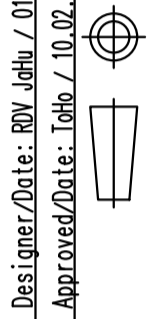
REV1 B/Terminal and cooling connection information added  
 REV2 C/Drawing created in I-deas/RDV Jahu / 03.02.2012  
 REV3  
 REV4  
 REV5  
 REV6



**VACON**

Material:  
Finishing:

Product: CH72  
 Name: Dimension Drawing, CH72 12p  
 Add. Info 1:  
 Add. Info 2:



Designer/Date: RDV Jahu / 01.02.2012  
 Approved/Date: ToHo / 10.02.2012

Gen. ToL: A3  
 Scale: 1:10  
 Doc. no. FW72051  
 Page: 1/1  
 Revision C