

4

3

2

1

- NOTICE -

THIS DOCUMENT CONTAINS PROPRIETARY INFORMATION OF DANFOSS DRIVES. IT IS LOANED BY DANFOSS DRIVES SUBJECT TO THE CONDITIONS THAT IT AND THE INFORMATION EMBODIED THEREIN SHALL BE USED ONLY FOR RECORD AND REFERENCE PURPOSES, SHALL NOT BE USED OR CAUSED TO BE USED IN ANY WAY PREJUDICIAL TO THE INTERESTS OF DANFOSS DRIVES, SHALL NOT BE REPRODUCED OR COPIED IN WHOLE OR IN PART OR DISCLOSED TO ANYONE WITHOUT THE DIRECT WRITTEN PERMISSION OF DANFOSS DRIVES, AND SHALL BE RETURNED UPON REQUEST.

| Type | Value |
|----------|--------------|
| IP Class | IP21/54 |
| UL Class | UL Type 1/12 |

DETAIL A
1:2

DETAIL B
1:2

SEE DETAIL A

2X KNOCKOUT PANEL

SEE DETAIL B

6X DETAIL C
1:2

SEE DETAIL C

1. MAX AIR FLOW (BACKCHANNEL) 16.4 M³ / MIN (580 CFM)
2. MAX AIR FLOW (CABINET) 9.9 M³ / MIN (350 CFM)
3. MAX WEIGHT = 295 KG (650 LBS)
4. CENTER OF GRAVITY:
APPROXIMATE LOCATION ONLY, LOCATION MAY VARY BASED ON POWER RATING AND OPTIONS ORDERED

| UNLESS OTHERWISE SPECIFIED | | PROPERTIES | |
|--|-------------|------------|----------|
| INTERPRET DIM AND TOL PER ASME Y14.5M-1994 | MATERIAL | N/A | |
| .X ±0.4 .XX ±0.2 <±0.5 | FINISH | N/A | |
| DIM. ARE IN MILLIMETERS | THICKNESS | N/A | |
| WEIGHTS ARE IN KILOGRAMS | EST. WEIGHT | 295 | |
| THIRD ANGLE PROJECTION | APPROVALS | INITIALS | DATE |
| | DRAWN | LAURI | 06/24/20 |
| | CHECKED | | |
| | ENGR | | |

Danfoss

4401 N. BELL SCHOOL RD. LOVES PARK, ILLINOIS 61111 USA
(815) 639-8600 FAX (815) 639-8000

| TITLE | | |
|------------------------------------|-------------|--------|
| INSTALLATION DRAWING, E1H, IP21/54 | | |
| SIZE | MODEL | REV |
| C | | 001 |
| SCALE | DRAWING NO. | SHEET |
| 0.08 | 177R0704 | 1 OF 2 |

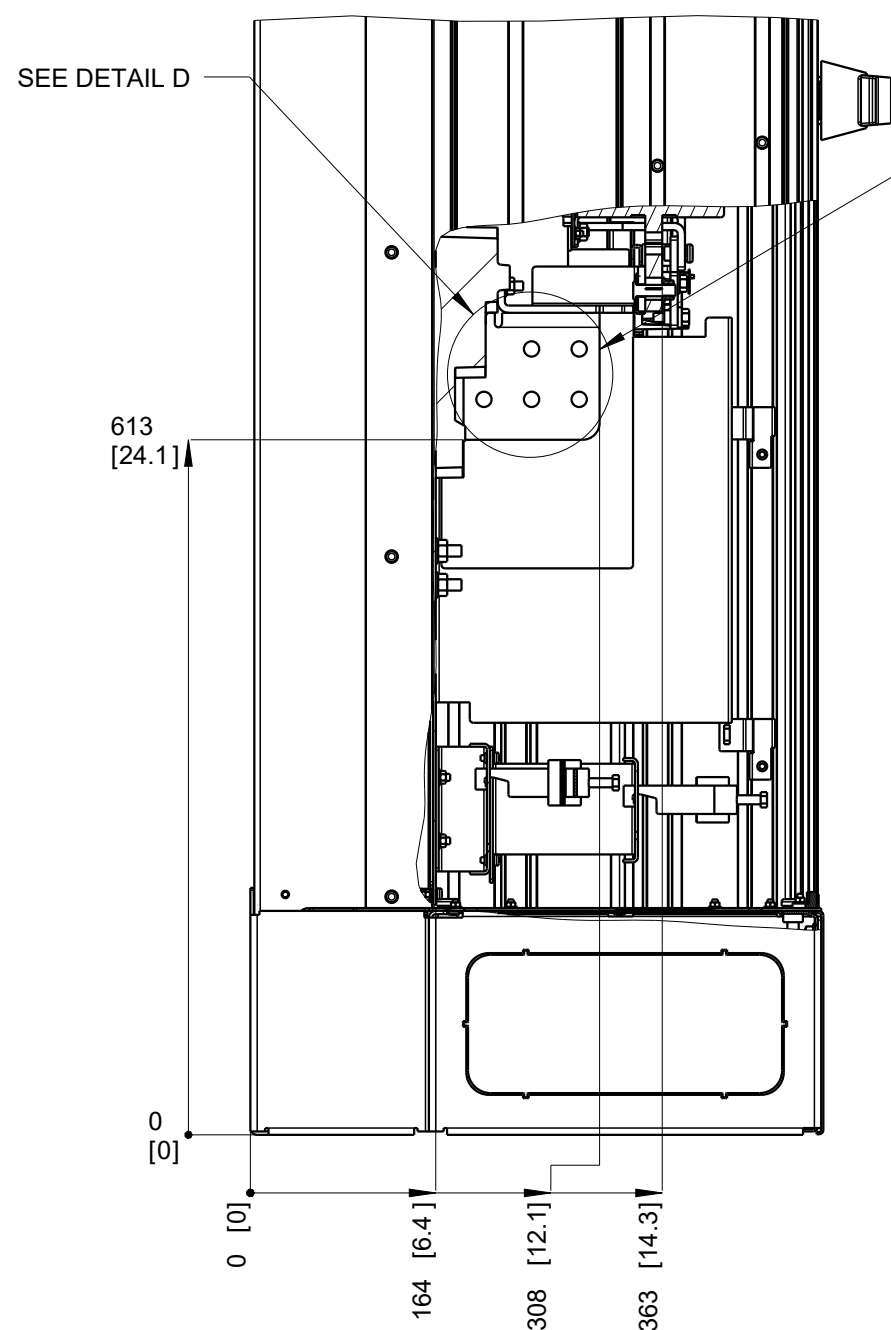
4

3

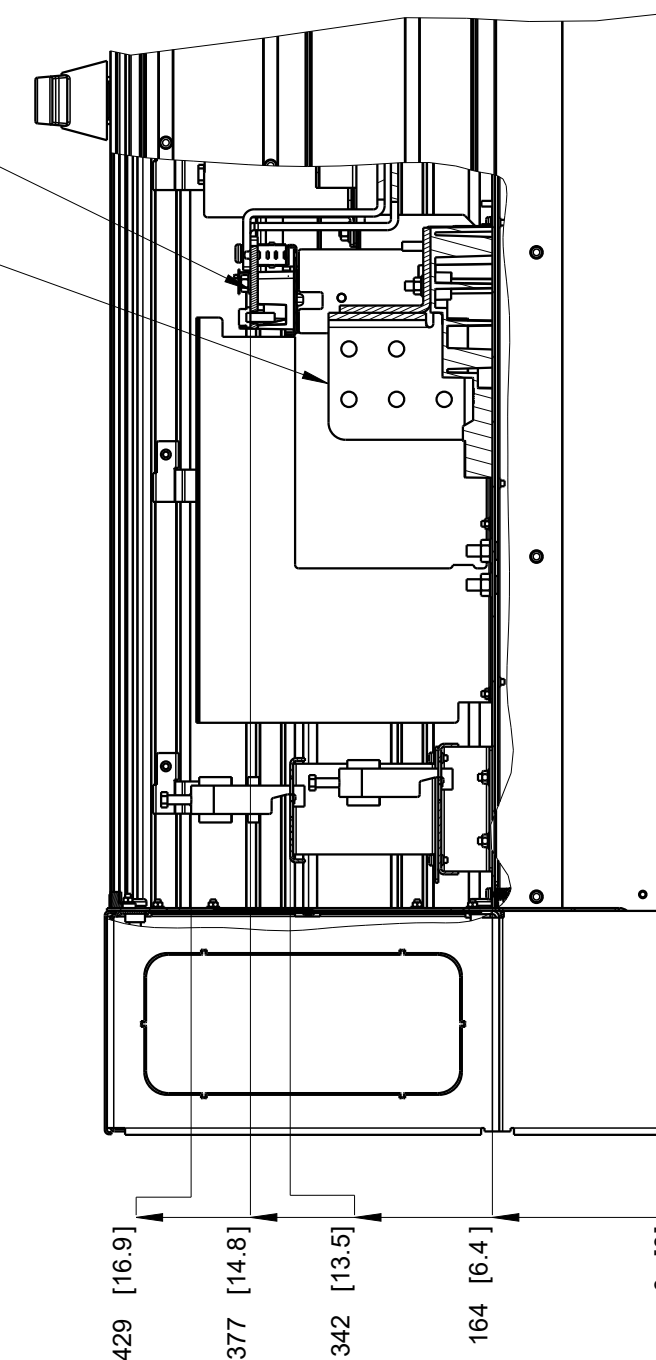
2

1

SECTION A-A
LINE TERMINALS



SECTION B-B
MOTOR / BRAKE TERMINALS

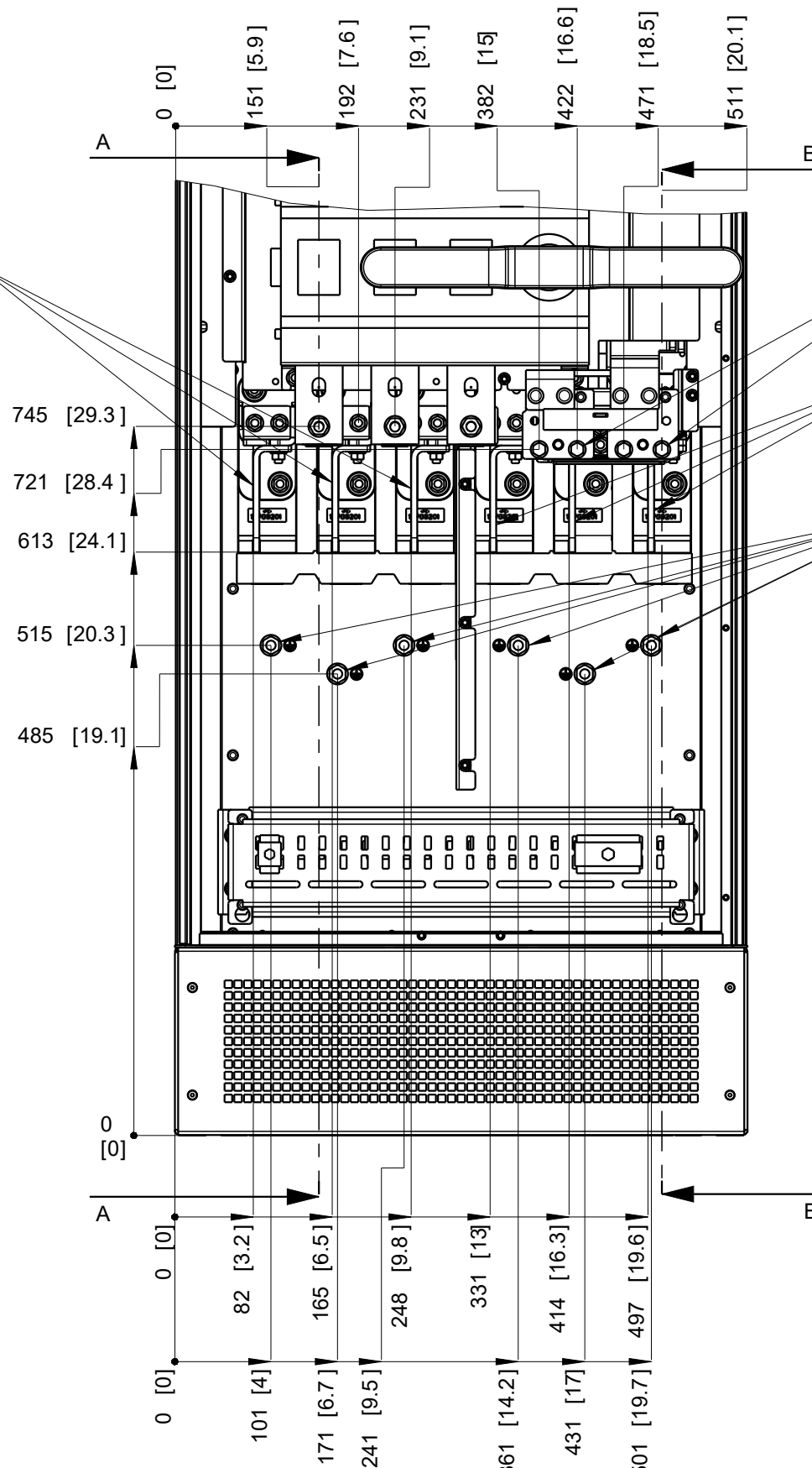


LINE TERMINALS

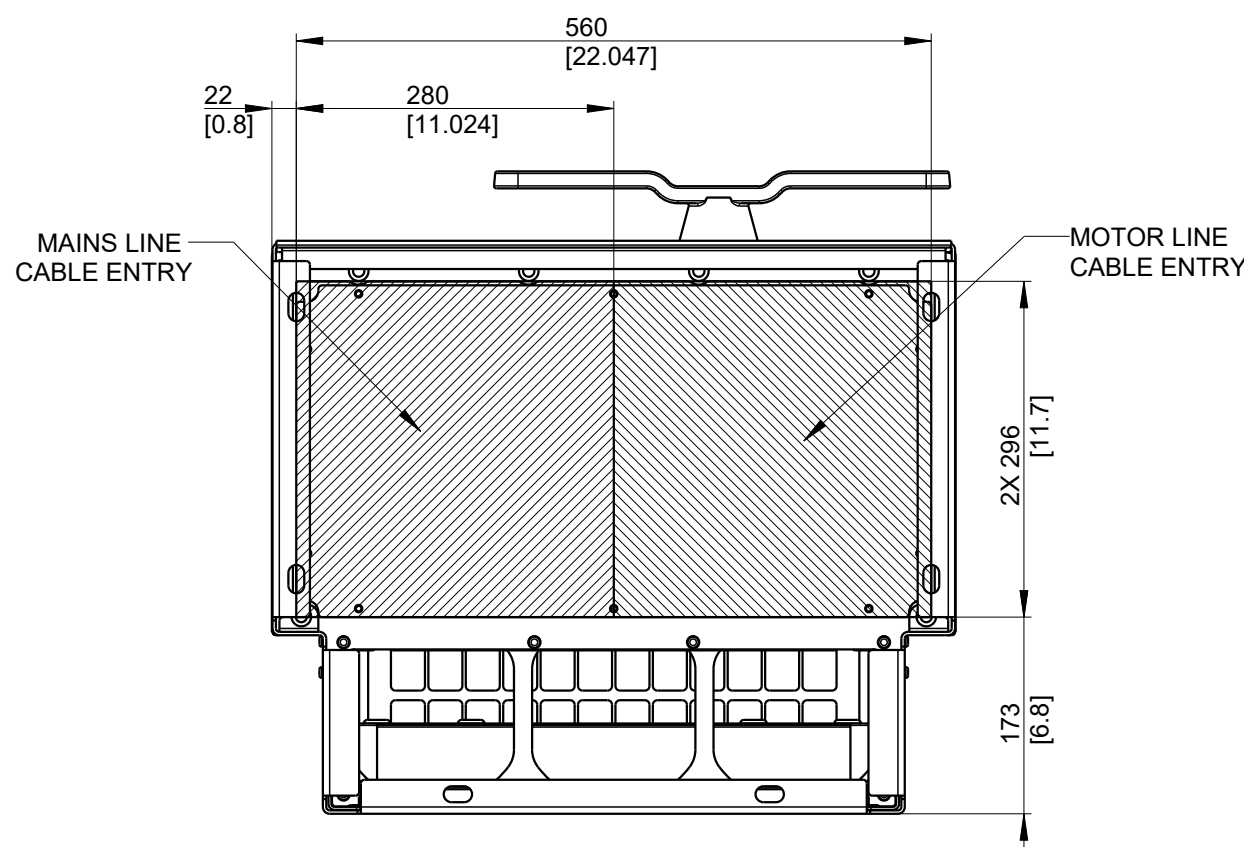
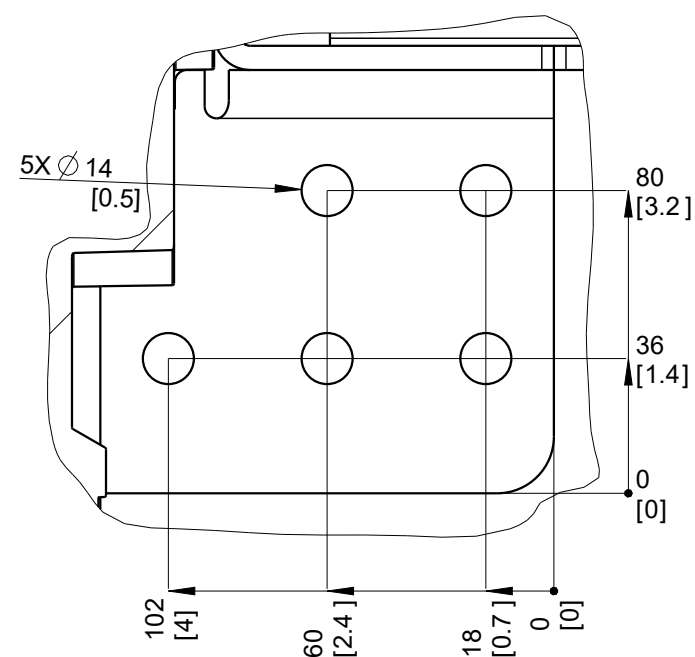
BRAKE

MOTOR TERMINALS

6X M10x20 STUD WITH NUT



6X DETAIL
D
1:2



| | | |
|------------------------------------|-------------|--------|
| TITLE | | |
| INSTALLATION DRAWING, E1H, IP21/54 | | |
| SIZE | MODEL | REV |
| C | | 001 |
| SCALE | DRAWING NO. | SHEET |
| 0.15 | 177R0704 | 2 OF 2 |