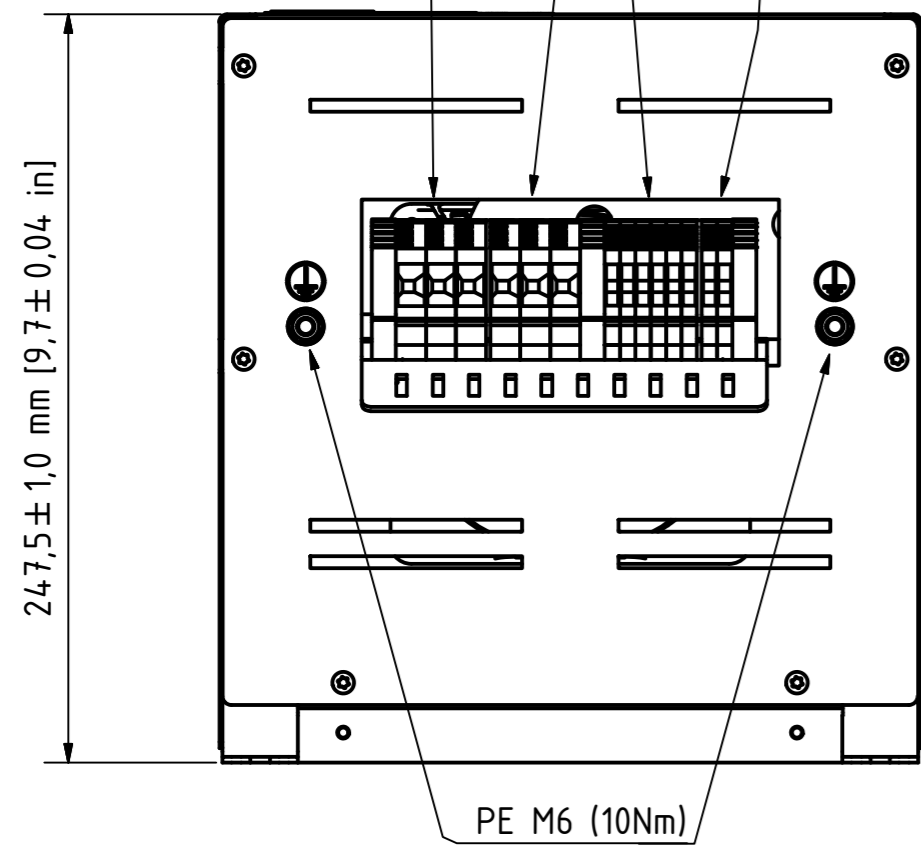
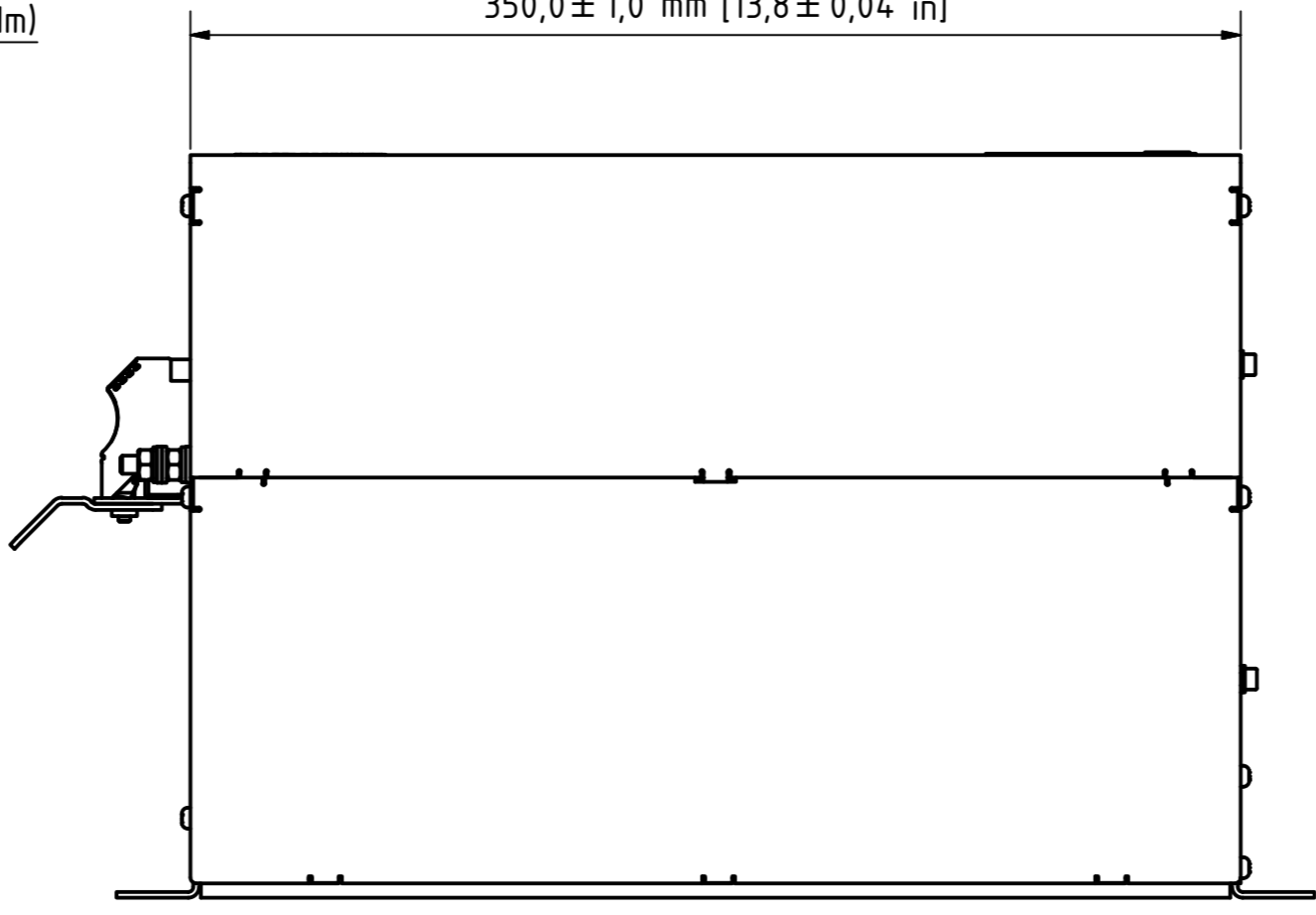


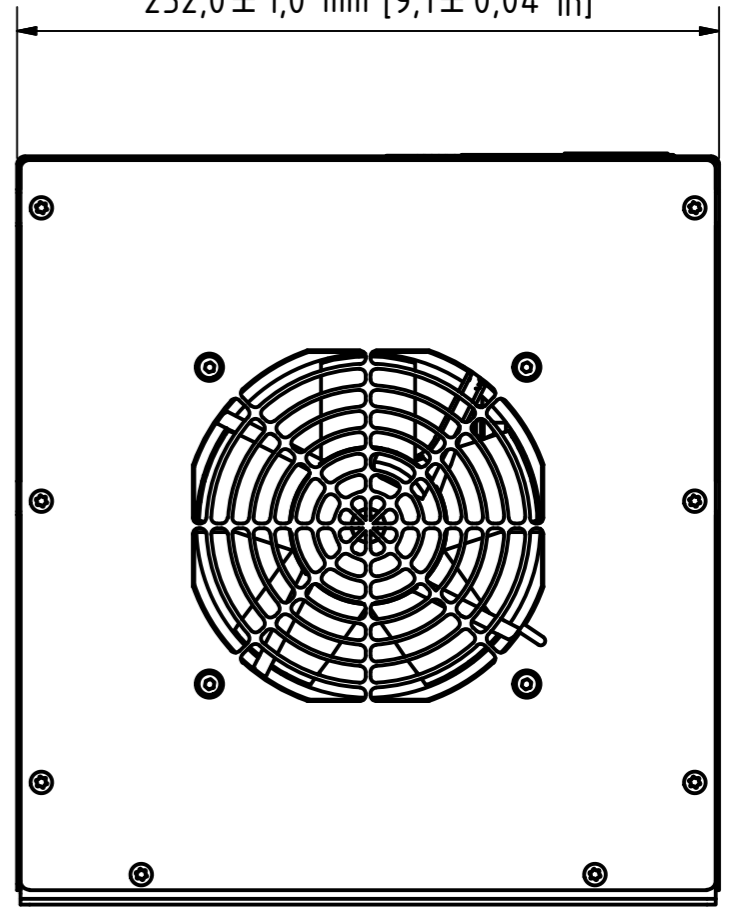
X1 Mains 10mm²(2,4Nm)
 X2 Drive 10mm²(2,4Nm)
 X3/X4 Capacitor disconnect 2,5mm²(0,8Nm)
 A/B Temperature 2,5mm²(0,8Nm)



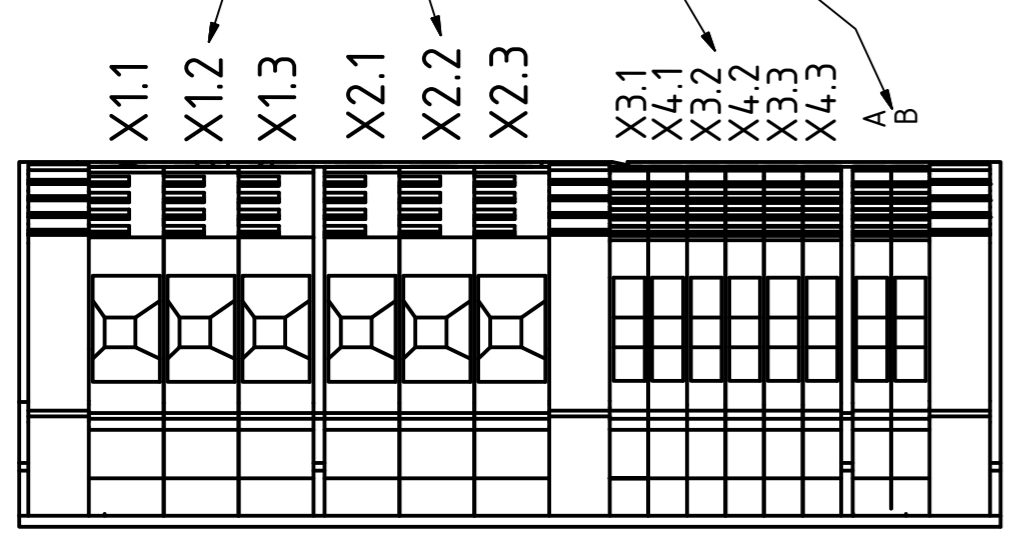
350,0 ± 1,0 mm [13,8 ± 0,04 in]



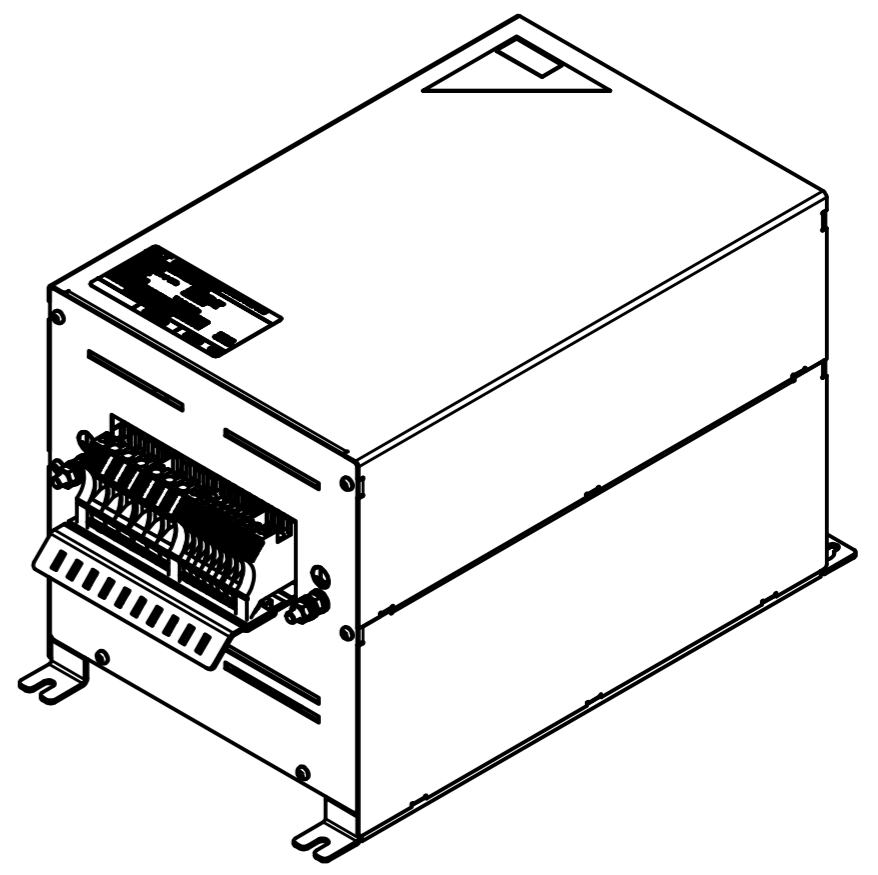
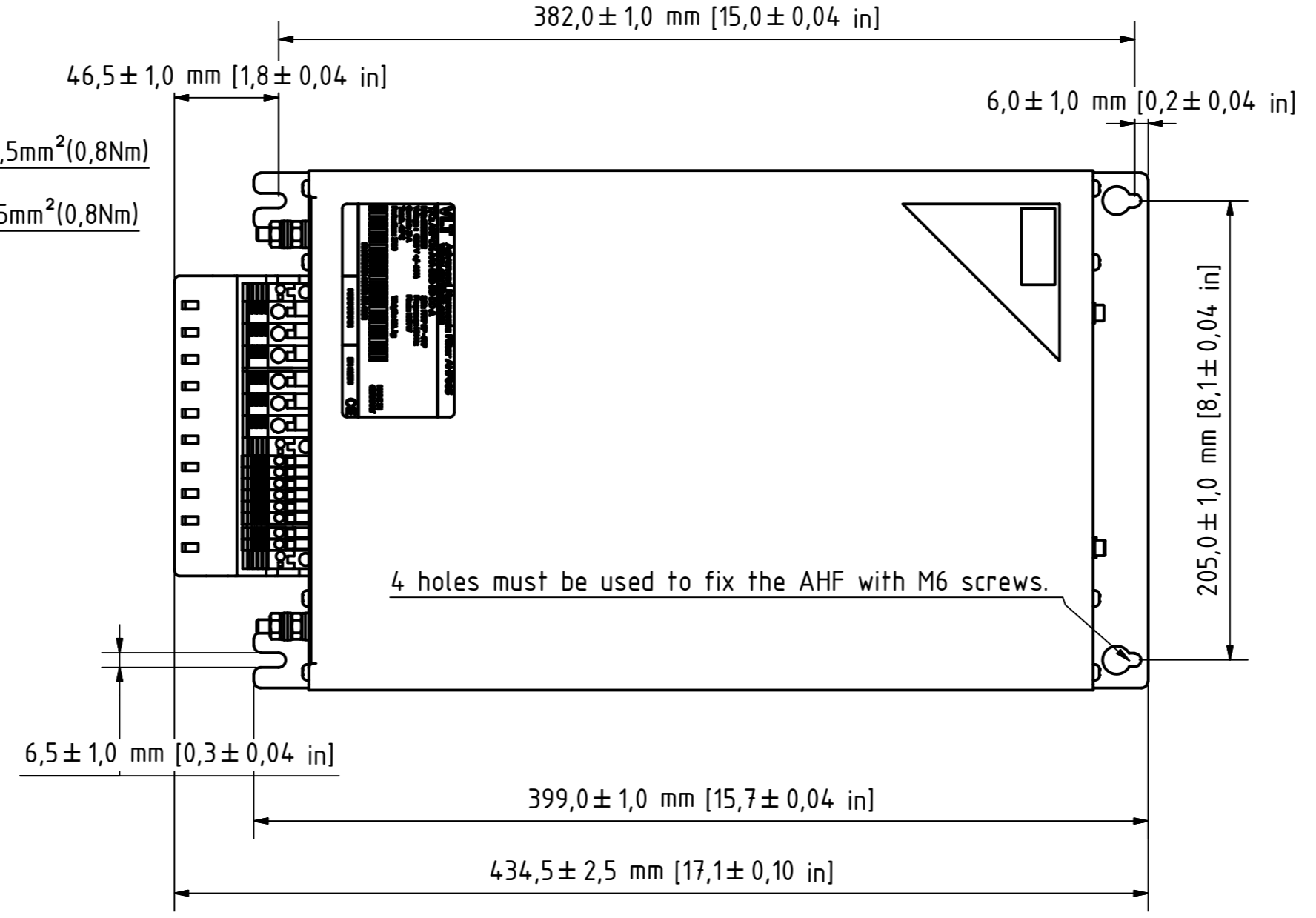
232,0 ± 1,0 mm [9,1 ± 0,04 in]



X1 Mains 10mm²(2,4Nm)
 X2 Drive 10mm²(2,4Nm)
 X3/X4 Capacitor disconnect 2,5mm²(0,8Nm)
 A/B Temperature 2,5mm²(0,8Nm)



382,0 ± 1,0 mm [15,0 ± 0,04 in]



		175C0491		VLT Advanced Harmonic Filter AHF	
		Designation		X2 IP 20 with internal fan	
Drawn	2018-10-29	MK	Reviewed	2018-11-06	FR
Standard	DIN 2768-1 V		Scale drawing	1:1	
R3	DC fan + COG lifting eye	2018-10-02	FR	Print scale	Approx. 1:5
R2	Terminals	2016-03-14	FR	Drawing Number X2-V3 IP20 if	
R1	Dimensions	2014-07-04	FR		
Status	Modifications	DATE	Name	A2	