
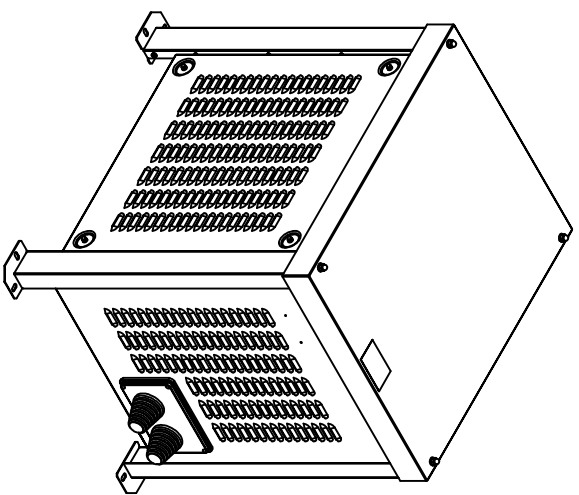
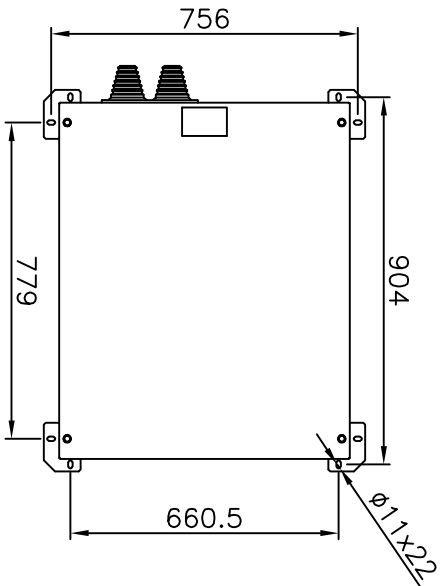
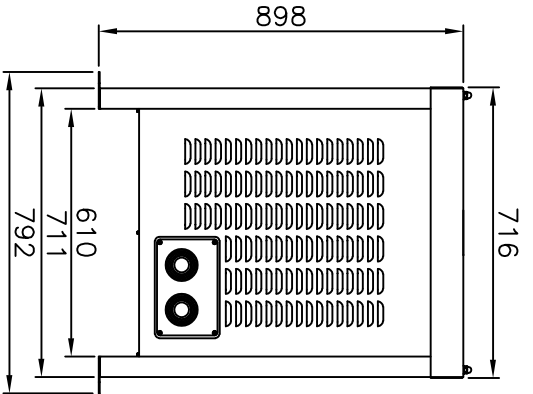
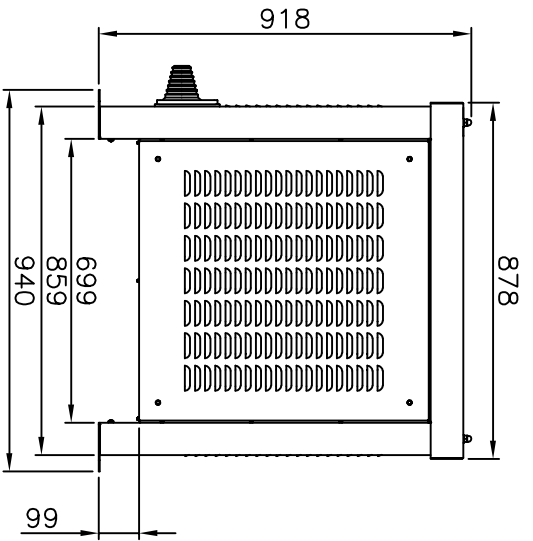


additional informations:  
 filter colour : RAL5008 / R9006  
 filter weight : 307kg

label:

<b>VLT</b> MCC 101 sine wave FILTER <small>Danfoss A/S, Esbo, Nordboj, Denmark</small> <small>www.danfoss.com</small>		<small>MADE IN GERMANY</small> <small>L-3401P</small> <small>500V/250V/200V/150V</small> <small>32.250A/650Hz 24A/400Hz 18A/100Hz</small> <small>NEMA 1/1P/23 Temp. 45°C/113°F</small> <small>Weight: 307kg</small> <small>Dimensions: 918x898x940mm</small>
<small>T/C: MCC101A380TBE23B</small> <small>P/N: 130B3185</small> <small>32.250A/650Hz 24A/400Hz 18A/100Hz</small> <small>NEMA 1/1P/23 Temp. 45°C/113°F</small> <small>*130B3185000159-176*</small>	<small>SN: 020168-178</small> <small>18A@100Hz</small> <small>18A@100Hz</small> <small>18A@100Hz</small> <small>18A@100Hz</small>	<small>EN 61556</small> 
<small>E 212022</small> <small>inc. Certif. 1101</small> <small>See manual for UL-requirements</small>	<small>B 1001014 Z</small> <small>FAN: 000000</small>	<small>Use only with a Type 1 or Type 2 SPC overvoltage control device</small>



e 27.04.16	Schr./Fie.	typelabel updated, Danfoss Postaddress included
d 05.11.14	Schr./Fie.	typelabel updated
c 06.04.13	Schr./ Kor.	typelabel updated
b 11.03.13	Schr./ Kor.	typelabel updated
a 30.09.10	KOR/ Lauer	approval added
date	name	amendment

Dimensions toleranced according to ISO 2768-m						
Tolerance class	0.5 to 3	from 3 to 6	from 6 to 30	from 30 to 120	from 120 to 400	from 400 to 1000
m (middle)	±0.1	±0.1	±0.2	±0.3	±0.5	±0.8

drawn	01.06.10	Korrau	Korrau	scale	1:15
checked	01.06.10	Bremer	Bremer	format	A4
date		name	signature		

Dimensions B 1001074.2  
 sine-wave filter 500V 260A – IP23

order number	130B3185	drawing number	Z791004028	modi.	e	sheet	1/1
--------------	----------	----------------	------------	-------	---	-------	-----

Please observe protection clause to ISO 16016