

additional informations:
 filter colour : RAL5008 / R9006
 filter weight : 370kg

label:

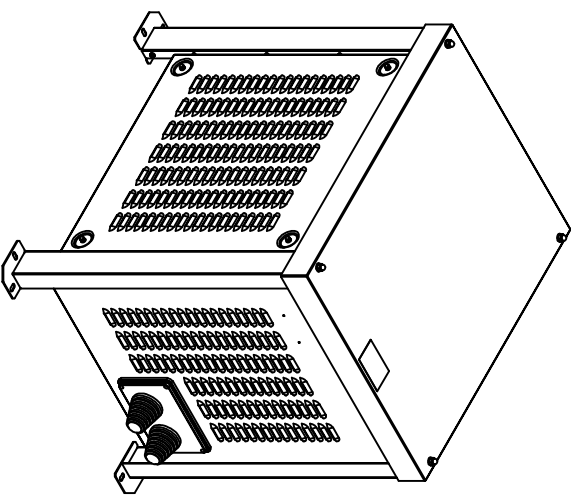
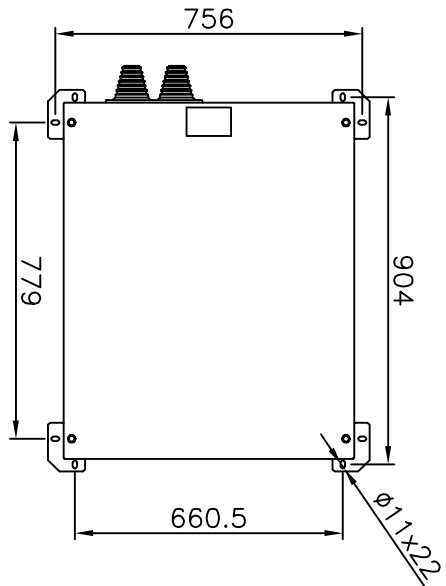
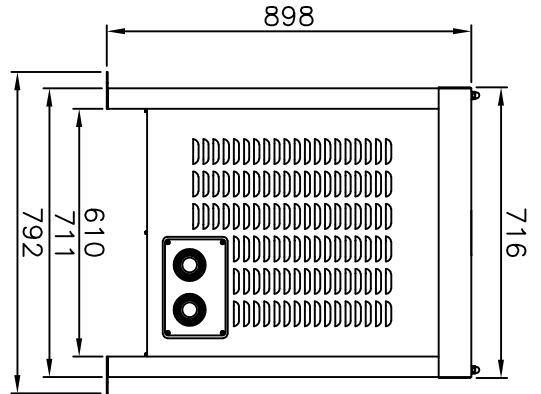
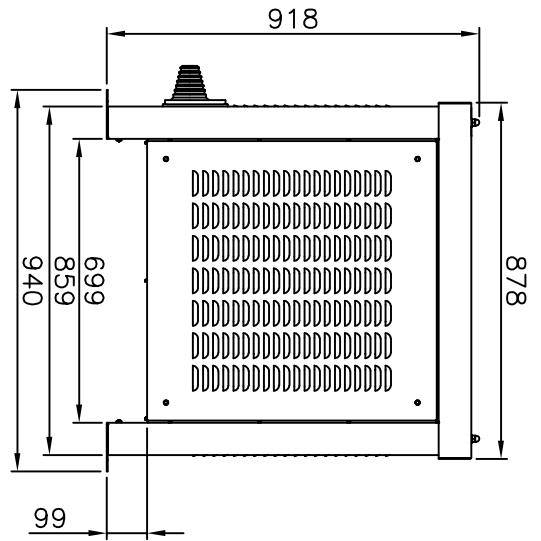
ULT MCC 101 sine wave FILTER
 www.danfoss.com Danfoss A/S, 6430 Nordang, Denmark

T/C: MCC10144107E23B P/N: 130B3187 S/N: 000168-176 L-250H
 3x 380-500V -50/60Hz (max. 100kVA) 3x 380V-50/60Hz
 NEMA 1IP23 Term. 45°C/113°F 30A@100Hz P/oss: 1150W
 130B31871001050176

Use only with a type 1 or type 2 SPD overvoltage control device

E19122 B 1001075.2 EA-N: 000000
 See manual for UL-requirements EN 61586

MADE IN GERMANY
 CE



e | 28.04.16 | Schr./Fie. | type|label updated | Danfoss Postaddress included

d | 05.11.14 | Schr./Fie. | type|label T/C updated

c | 08.04.13 | Schr./Kor. | type|label updated

b | 11.03.13 | Schr./Kor. | type|label updated

a | 30.09.10 | KOR/Lauer | approval added

date | name | amendment

Dimensions toleranced according to ISO 2768-m

Tolerance class	0.5 to 3	from 3 to 6	from 6 to 30	from 30 to 120	from 120 to 400	from 400 to 1000
m (middle)	±0.1	±0.1	±0.2	±0.3	±0.5	±0.8

drawn	01.06.10	Korrau	Korrau	scale	1:15
checked	01.06.10	Bremer	Bremer	formate	A4
date		name	signature		

Dimensions B 1001075.2
 sine-wave filter 500V 410A – IP23

order number	130B3187	drawing number	Z791004029	modi.	e	sheet	1/1
--------------	----------	----------------	------------	-------	---	-------	-----

Please observe protection clause to ISO 16016