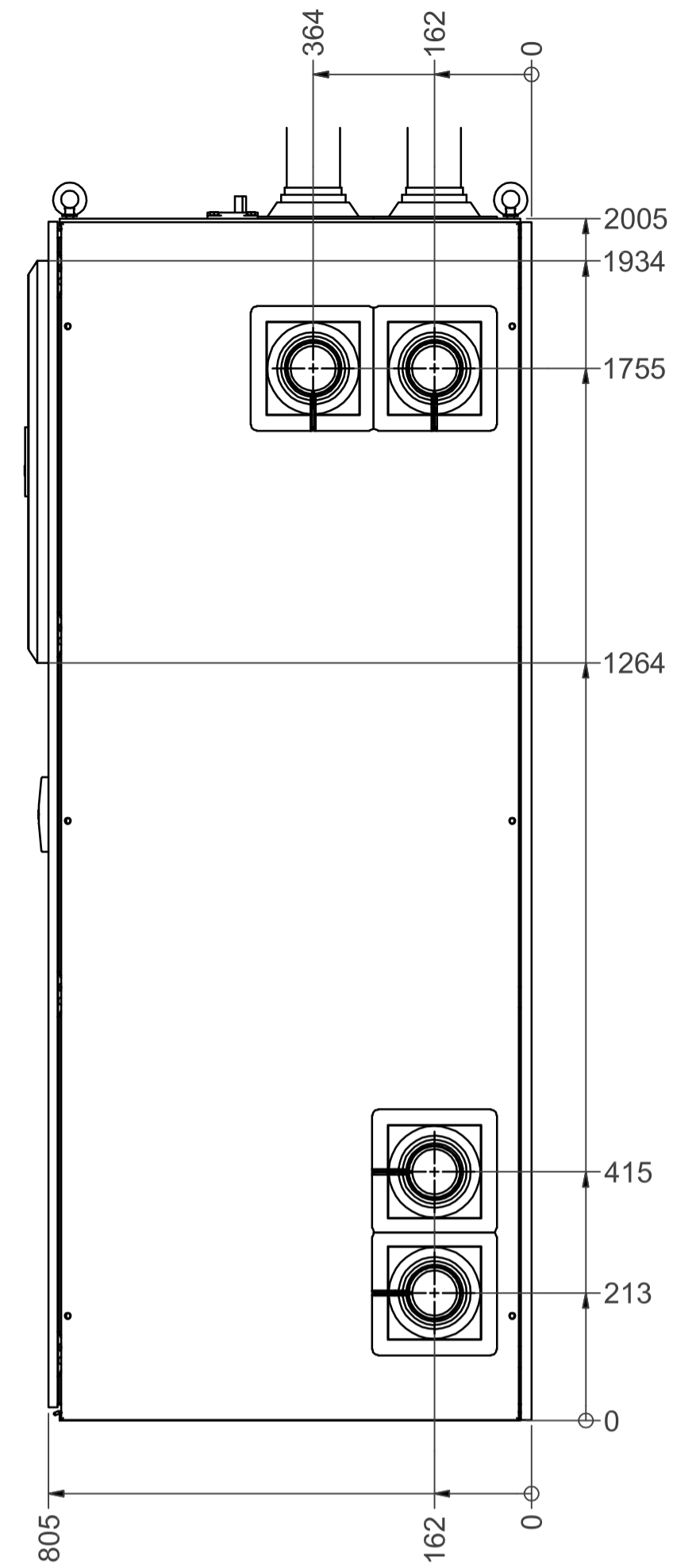


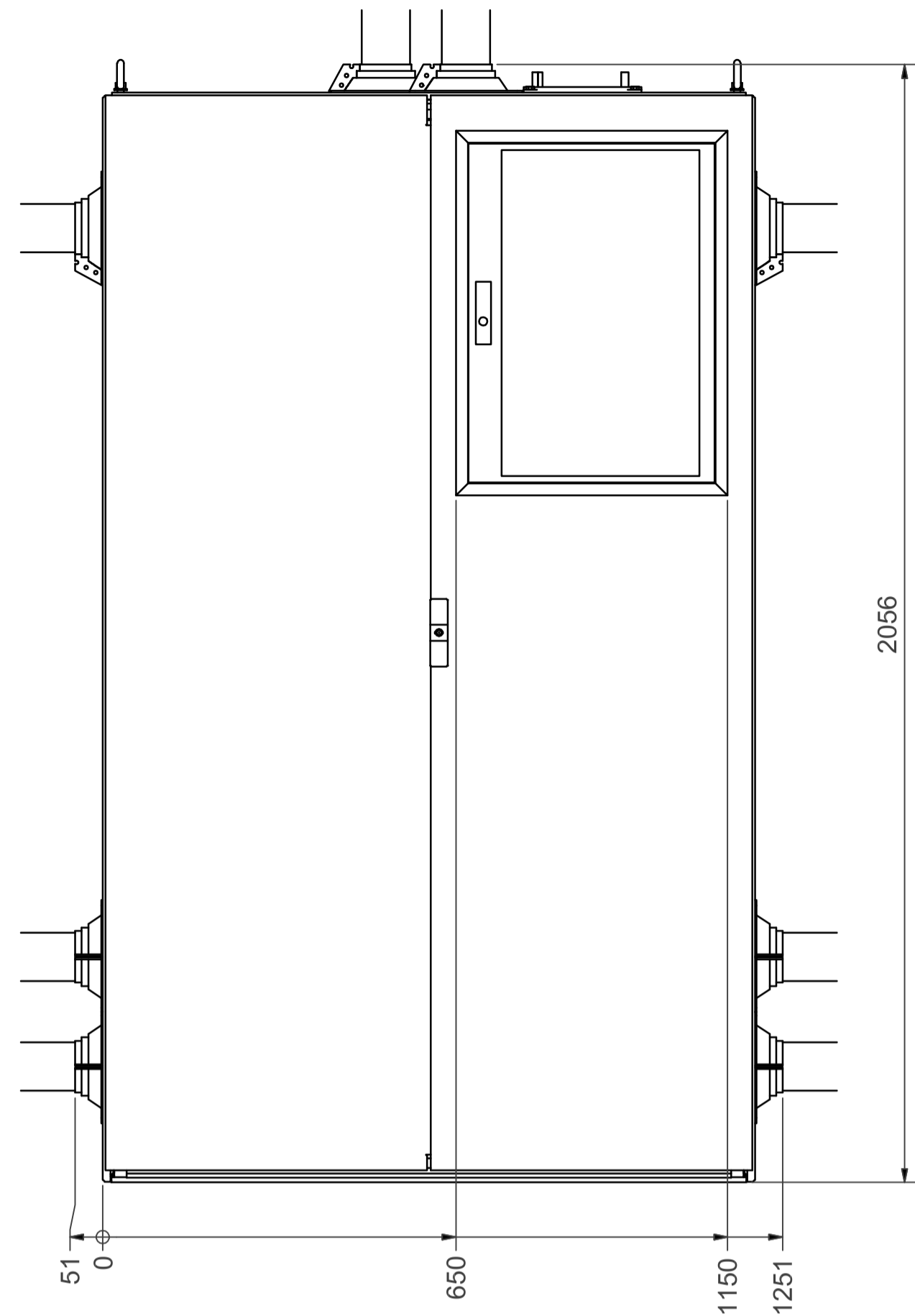
10 9 8 7 6 5 4 3 2 1

H
G
F
E
D
C
B
A

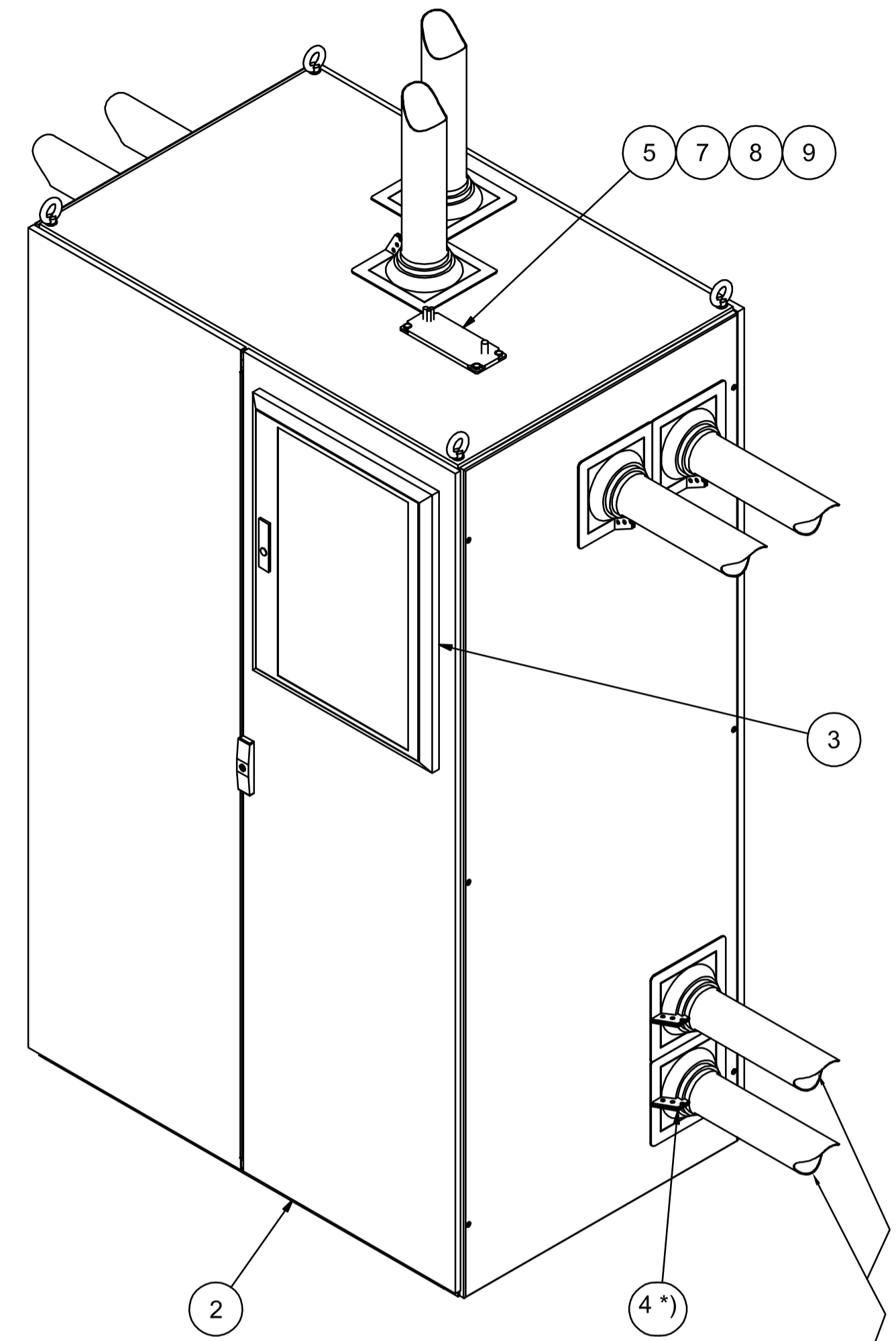
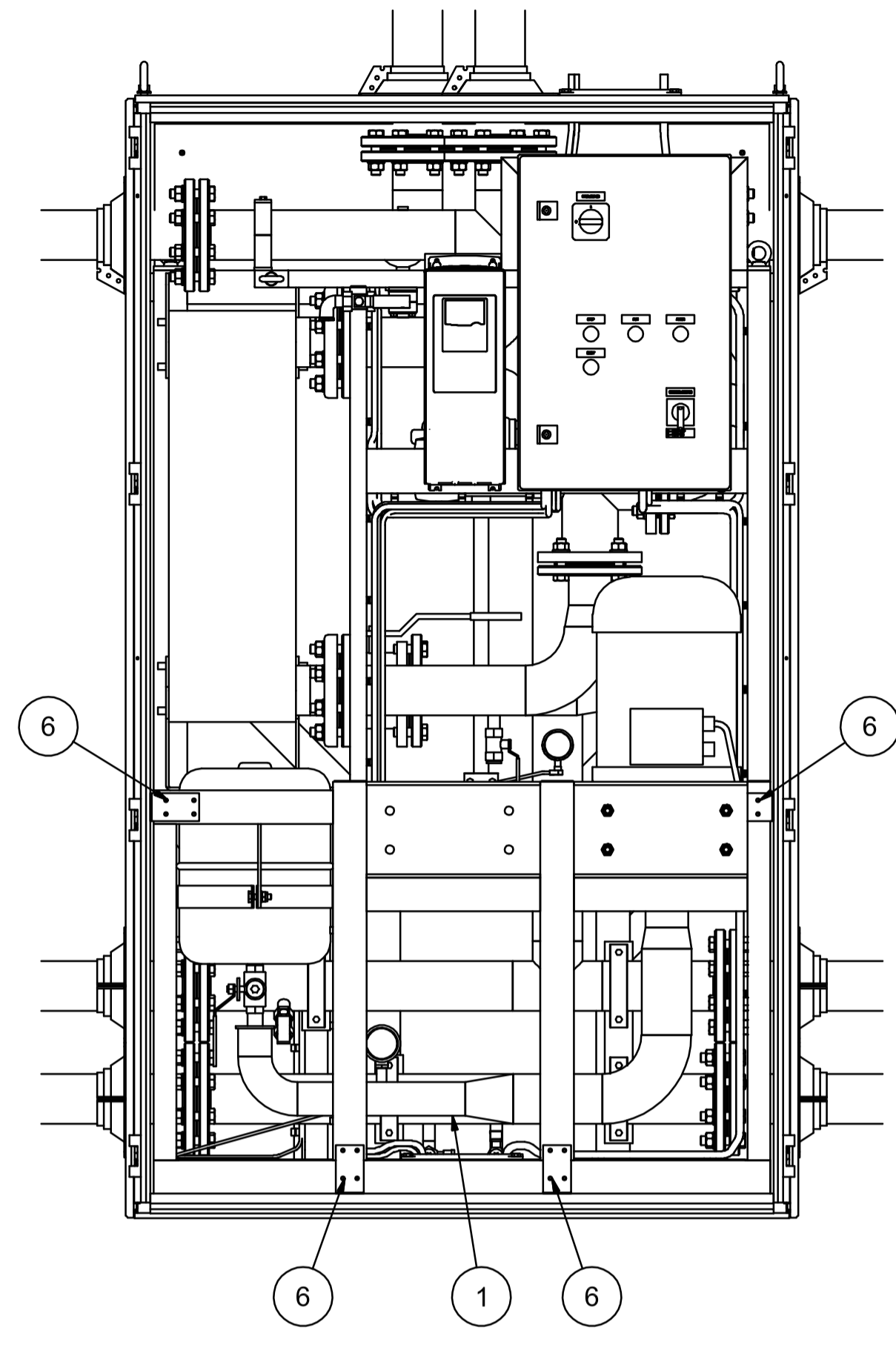
H
G
F
E
D
C
B
A



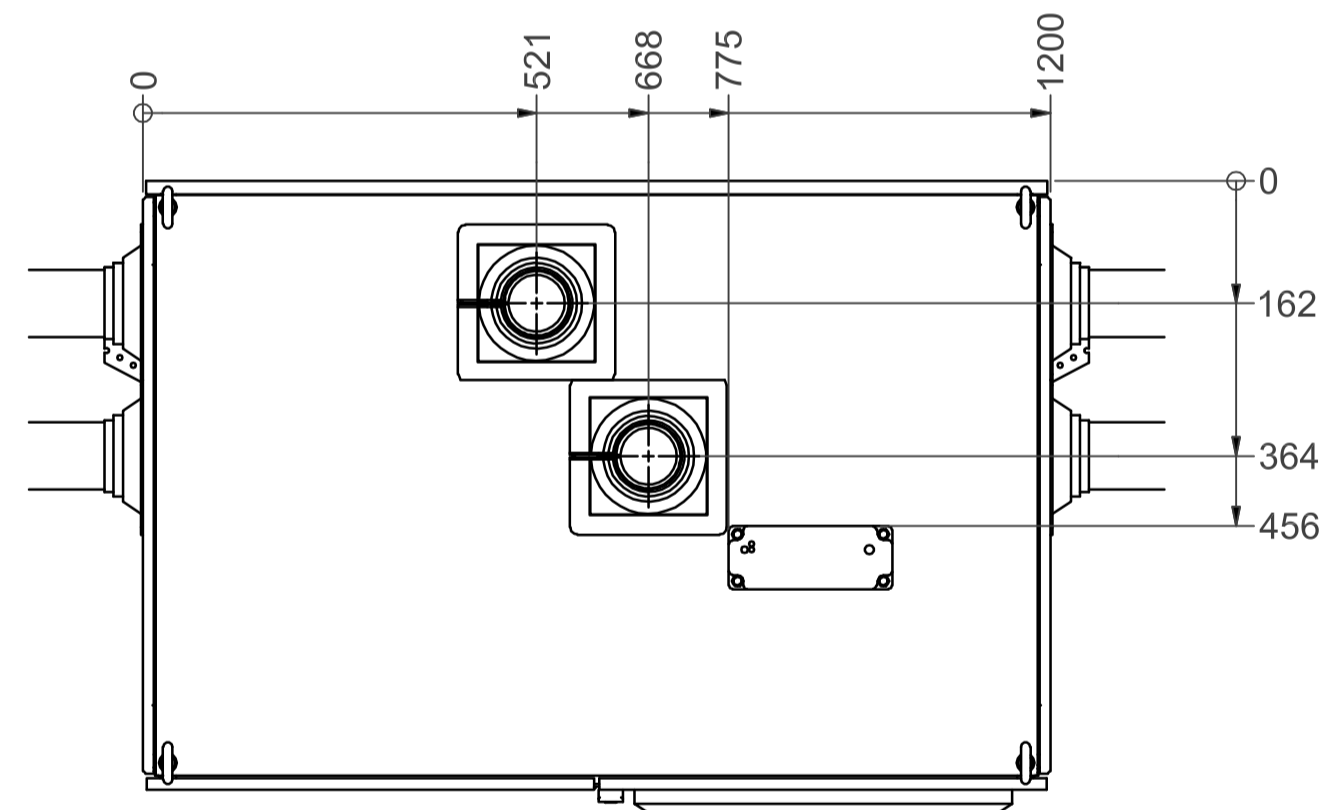
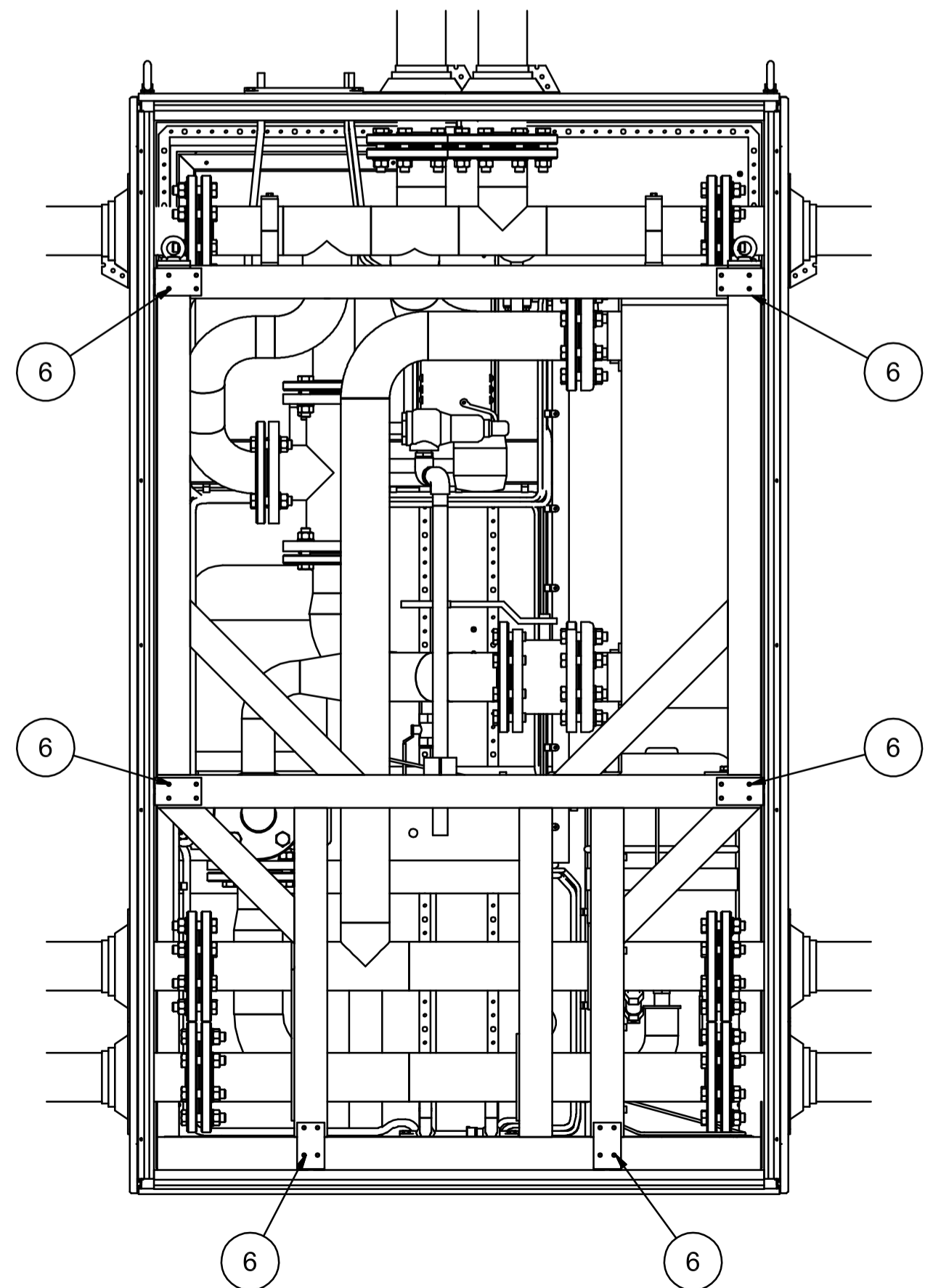
FRONT VIEW



FRONT VIEW, OPEN DOORS

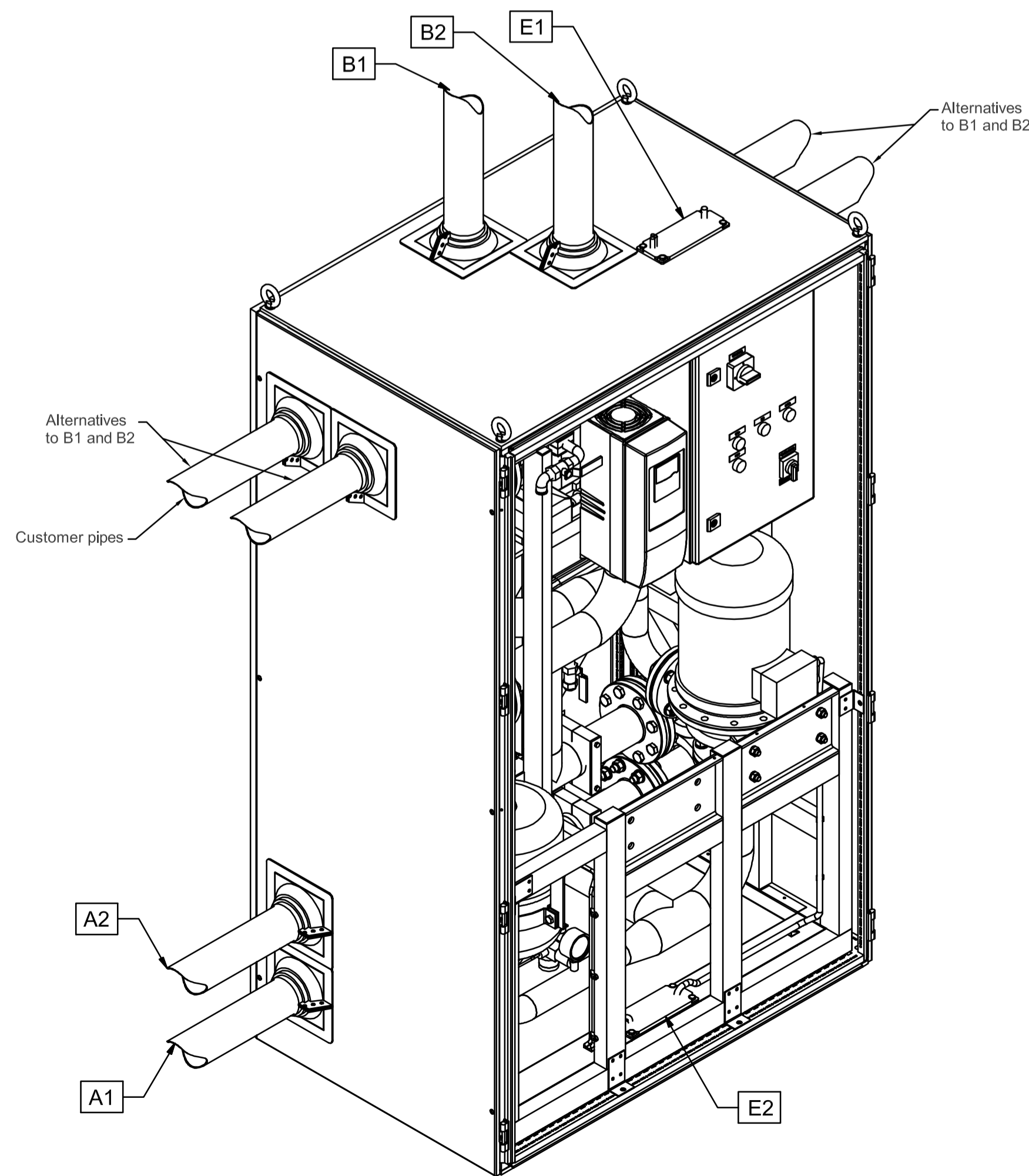


BACK VIEW, OPEN WALL



NOZZLE DATA		SIZE
A1	FROM DRIVE	DN80
A2	TO DRIVE	DN80
B1	INLET CUSTOMER	DN80
B2	OUTLET CUSTOMER	DN80
E1	ELECTRICAL CONNECTION, Alternative 1	MC25
E2	ELECTRICAL CONNECTION, Alternative 2	MC25

The inlet/outlet direction of the primary and secondary circuits can be chosen according to the installation.



*) NOTE:

See Retrofit assembly and dimensional drawing VL39-5003-95.

See Rittal openings drawing VL39-5003-93.

Part no.	Qty.	Part name, type and/or measures	Standard/Draw. no.	Material	Weight/pc
9	4	Washer A8,4	DIN 125	Zn	-
8	4	Hex Nut M8	DIN 934	8 Zn	-
7	4	Hex-Head Bolt M8 x 18	DIN 933	8.8 Zn	-
6	10	Fastener	-	-	-
5	1	Multigate MC25	Mar-Con	-	-
4 *)	-	Retrofit Master Flash#1, 1/2"-4", Aztec Nordic	RF101B	Black EPDM	-
3	1	System window 500x670x33, Rittal	FT 2735.540	-	-
2	1	Cubicle TS8 1200x2000x800	Rittal	-	-
1	1	HXL300	VL39-5063-01	-	-

GENERAL TOLERANCES ISO 2768-c		DRAWING NAME HXL300 RITTAL		CUSTOMER VACON OYJ	
		DRAWING TYPE Assembly drawing		PROJECT NAME STD HX-unit	
		PROJECT NUMBER HXL-R-300-N-S		CUSTOMER PROJECT NUMBER	
		DRAWN A-M. Haka		DATE 23.10.2007	
		CHECKED U. Kähtävä		SCALE 1:10	
		APPROVED J-P. Sampola		REV. NO. VL39-5063-04 Rev	
Runonide 7 FIN-40500 VAAJA, FINLAND Phone +358 (0)201 2121					

10 9 8 7 6 5 4 3 2 1

These documents must not be copied without our written permission. If you have any questions, please contact us. The information in this document is subject to change without notice. Construction will be proceeded.