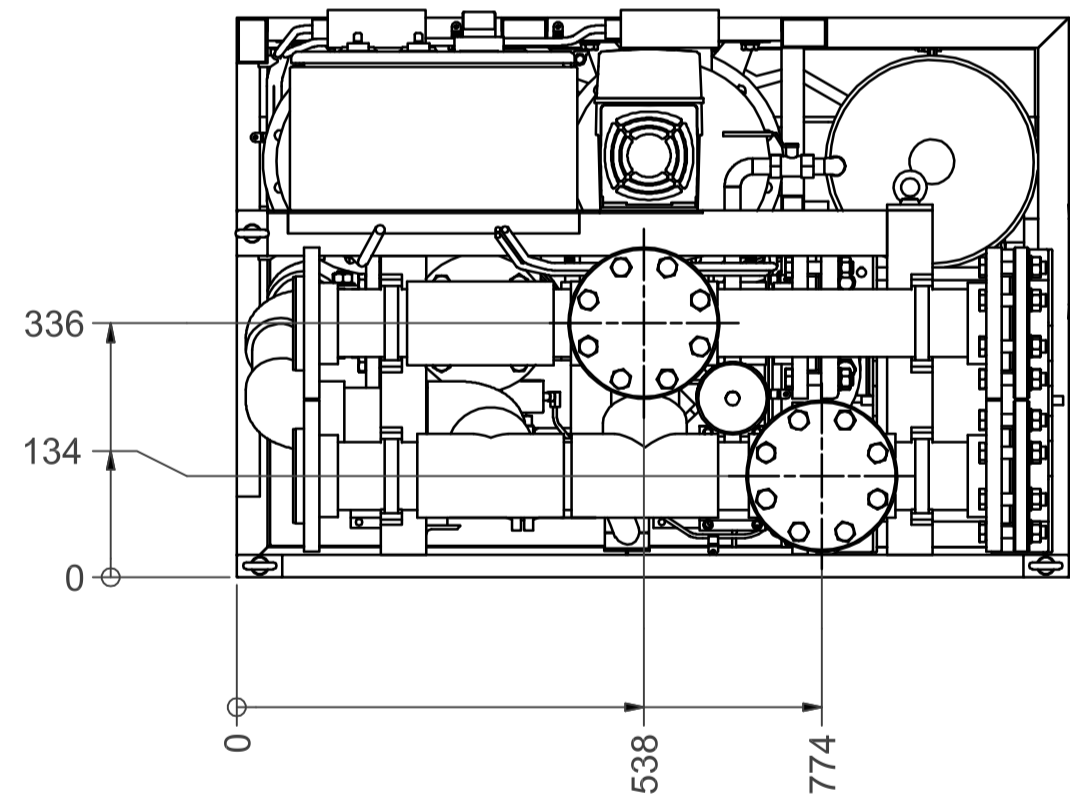


Customer cooling water interface can be chosen from the following directions:
 - Left
 - Right
 - Up



NOZZLE DATA		STD	
A1	FROM DRIVE	DN80	DIN 2642
A2	TO DRIVE	DN80	DIN 2642
B1	INLET CUSTOMER	DN80	DIN 2642
B2	OUTLET CUSTOMER	DN80	DIN 2642

DESIGN DATA AND CAPACITY		
	Primary side	Secondary side
Pressure	6 bar	10 bar
Temperature	60°C	50°C
Maximum Flow	900 l/min/2.7 bar	Acc. to project info
Power Supply	3~, 380-500 VAC (50 Hz) or 3~, 380-500 VAC (60 Hz), 16 A	

Maximum straight pipe distance between HX-unit and drive for achieving maximum flow: 25 m + 25 m (turn + return)
 NOTE! Elbows and other components will reduce the pipe distance.

REFERENCE DRAWINGS	
P&I Diagram	VL39-5070-05
Cubicle Rittal	VL39-5073-09

These documents must not be copied without our written permission. If you have any questions, please contact us.

Näiden asiakirjojen kopiointi ilman Vaconin kirjallista lupaa on kielletty. Jos sinulla on kysymyksiä, ota yhteyttä meihin.

Part no.	Qty.	Part name, type and/or measures	Standard/Draw. no.	Material	Weight/qty
GENERAL TOLERANCES					
ISO 2768-c		DRAWING NAME HXM300 DIMENSIONAL		CUSTOMER VACON OYJ	
vagon		DRAWING TYPE Assembly drawing		PROJECT NAME STD HX-unit	
Runstopite 7 FIN-40500 VAAKA, FINLAND Phone +358 (0)201 2121		PROJECT NUMBER HXM-M-300-N-P		CUSTOMER PROJECT NUMBER	
DATE A-M. Haka		DATE 17.10.2007		DWG. NO. VL39-5073-08	
DRAWN U. Kähtävä		SCALE 1:10		REV.	
APP. J-P. Sampola		SIZE A1			