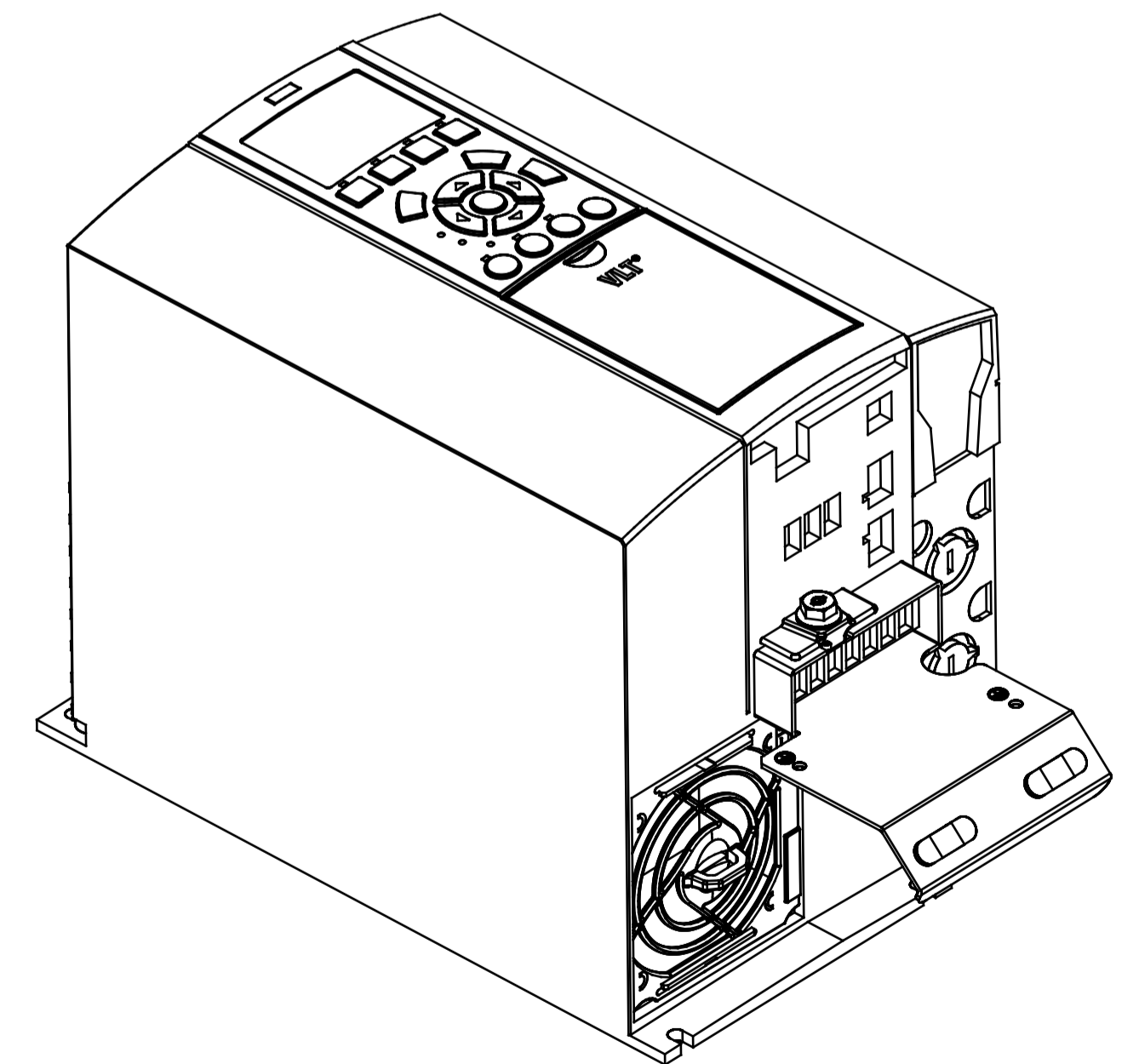
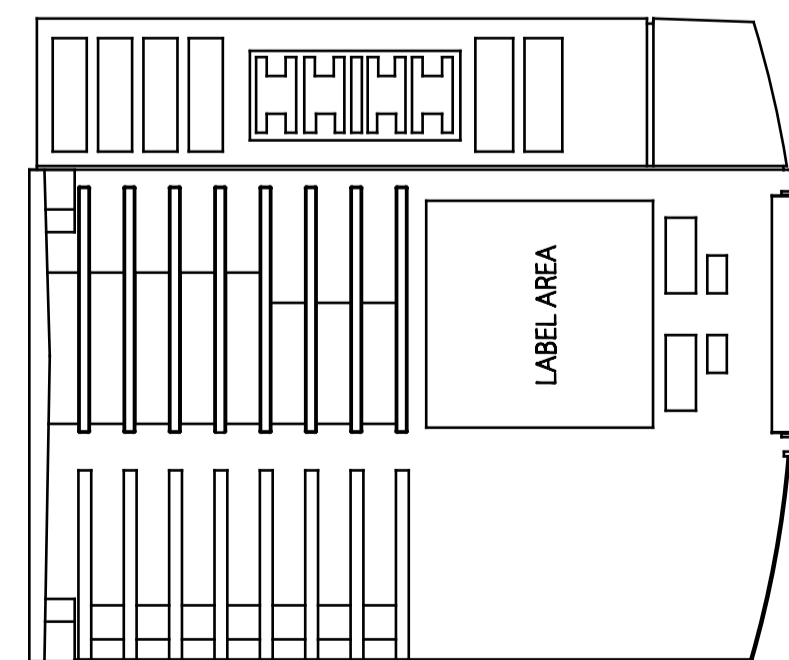
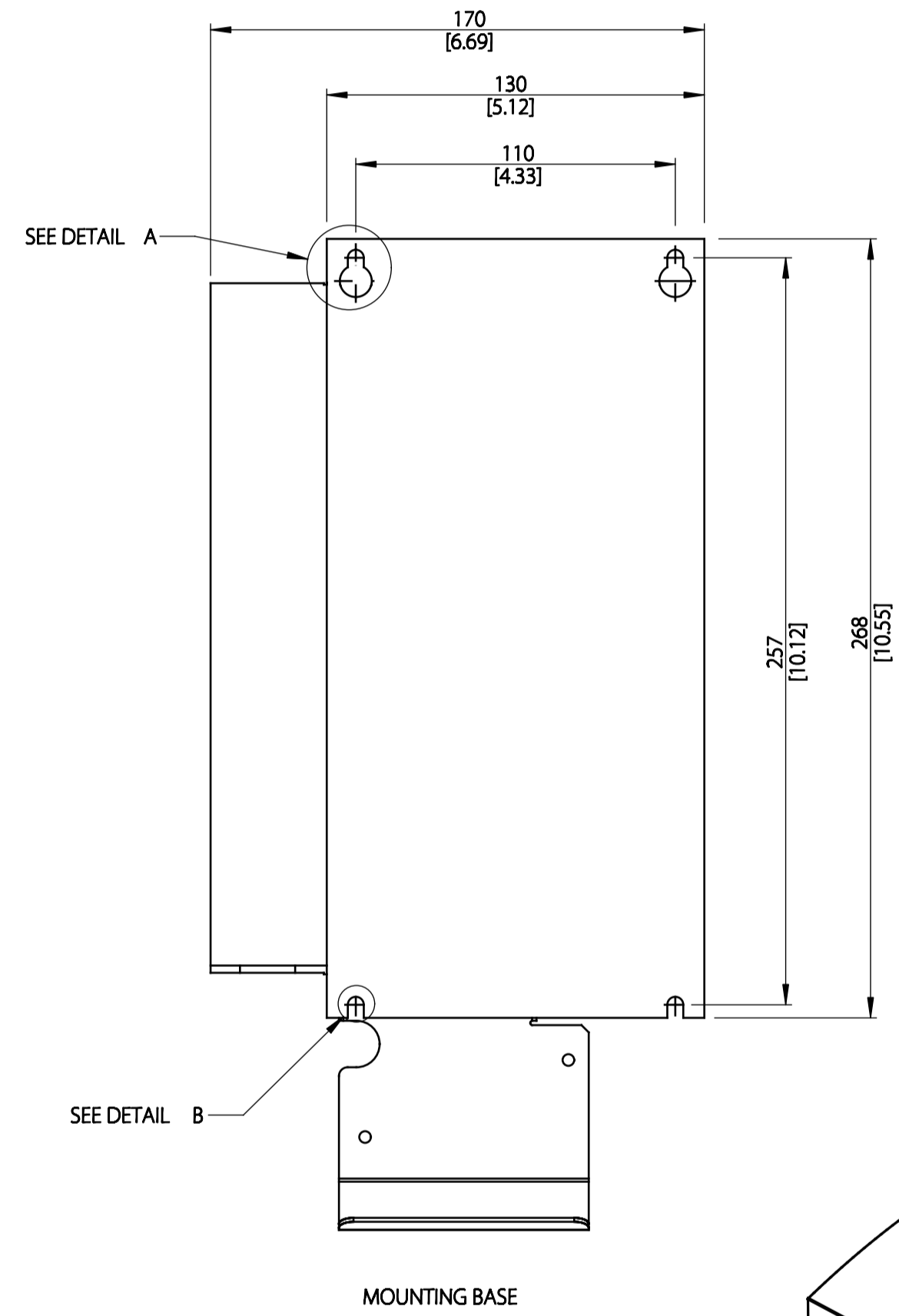
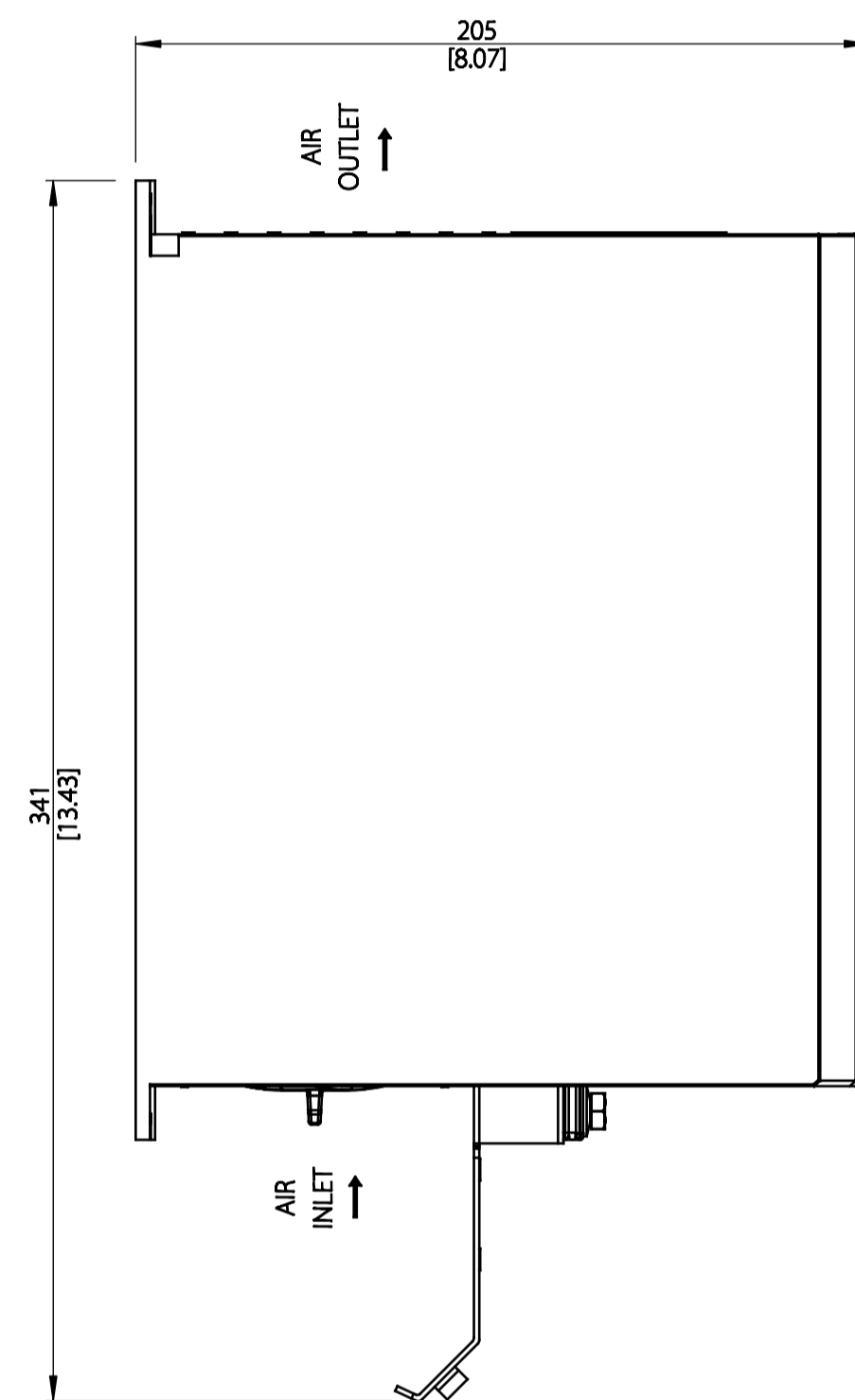
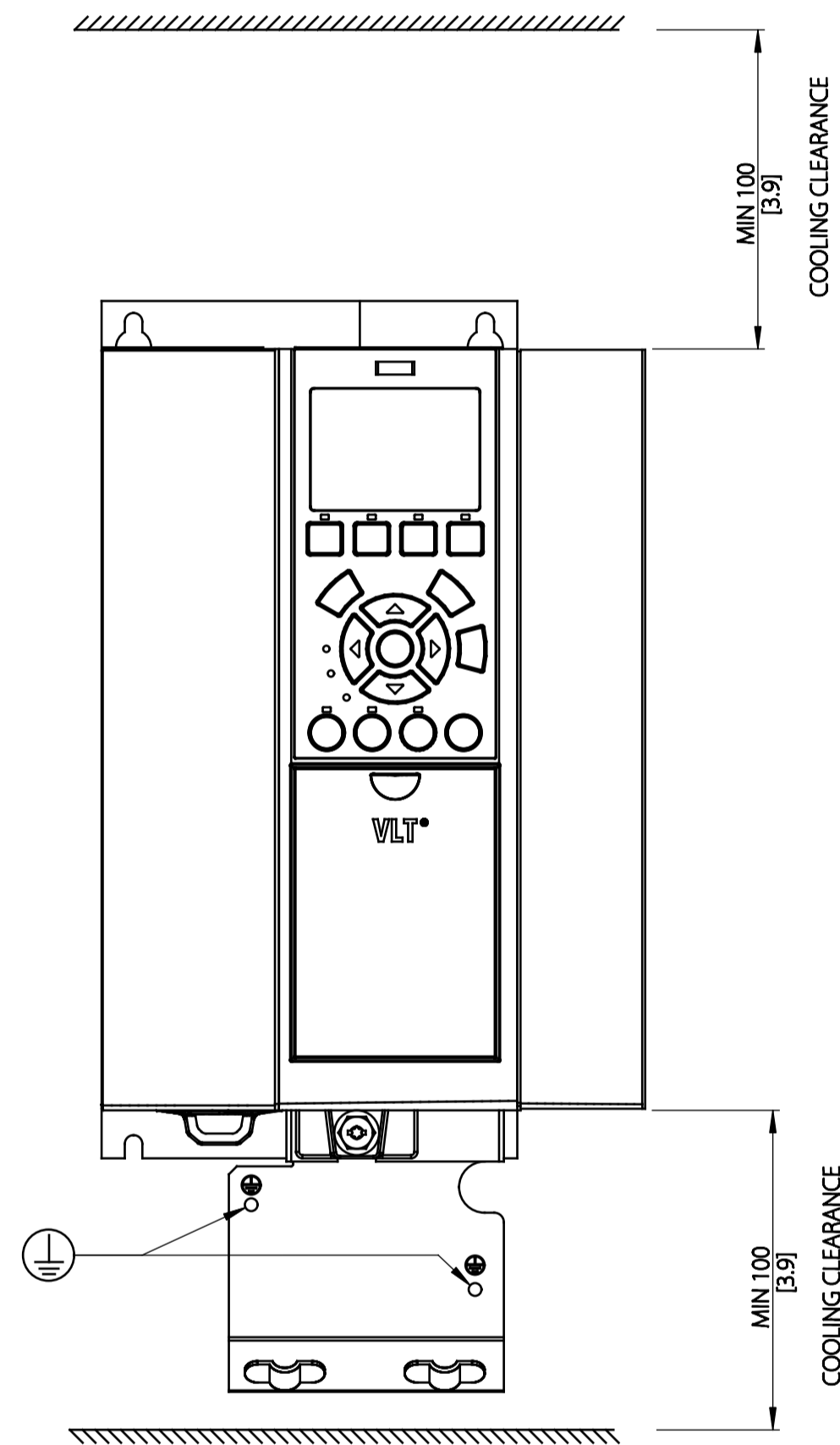
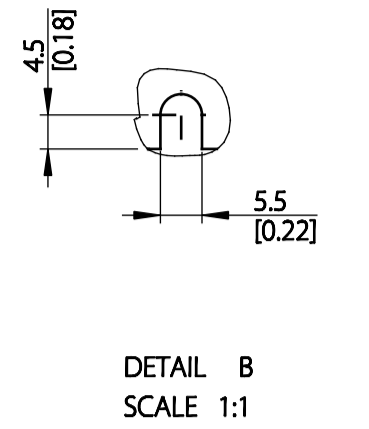
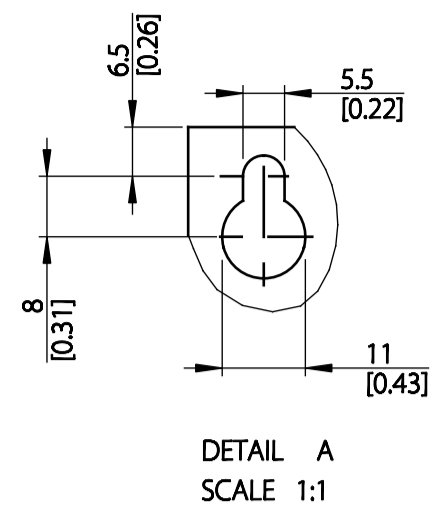
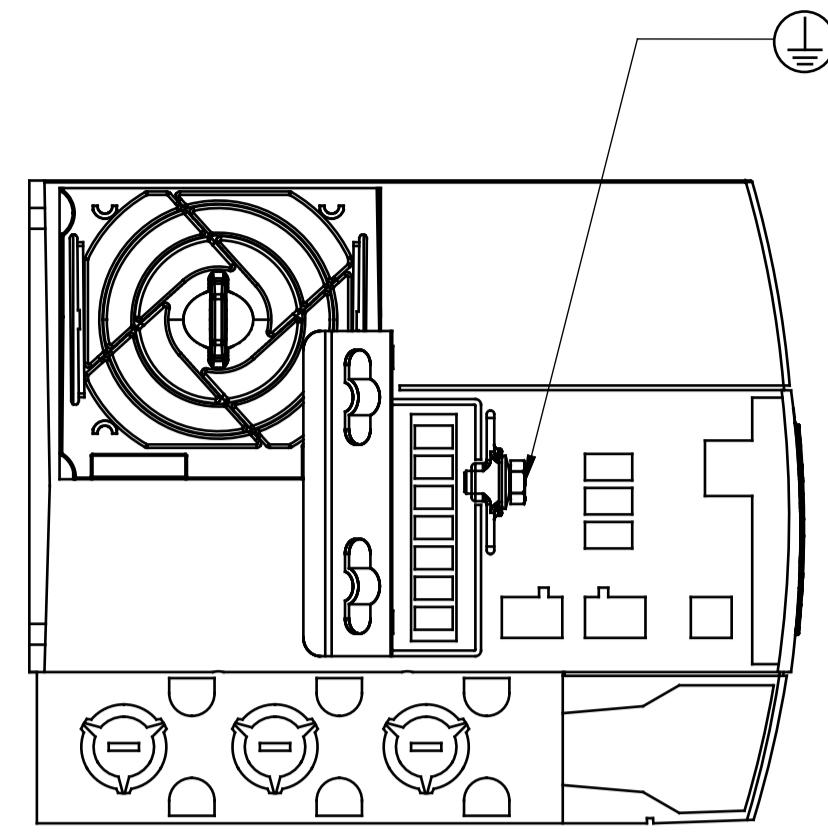


Type	Value
Max Weight	6.6 kg / 14.6 lb
IP Class	IP20 C
Nema Class	CHASSIS



THIS DRAWING SHOWS THE MOST COMMON VERSION OF THIS PRODUCT VARIANT.
SMALL DIFFERENCES MAY OCCUR DEPENDING ON THE FINAL PRODUCT CONFIGURATION.

CENTER OF GRAVITY:
FOR REFERENCE ONLY, THE PRODUCT CONFIGURATION MAY INFLUENCE THE CG IN ALL THREE AXES.

UNLESS OTHERWISE SPECIFIED THE TOLERANCE IS ± 1MM (0.4 INCH). ALL DIMENSIONS ARE IN MILLIMETERS (INCH)				FIRST ANGLE PROJECTION	SCALE	DRAWING SIZE	MATERIAL
					1:2	A1	FINISH
				DESCRIPTION			
CHANGED							
DESIGNED	DANFOSS	09-01-2016					
CHECKED							
				DESCRIPTION			
				MCAD A3 IP20 C			
				DRAWING NUMBER			
				MCAD-A3-IP20-C			
				REV			
				001			
				SHEET			
				1 OF 1			