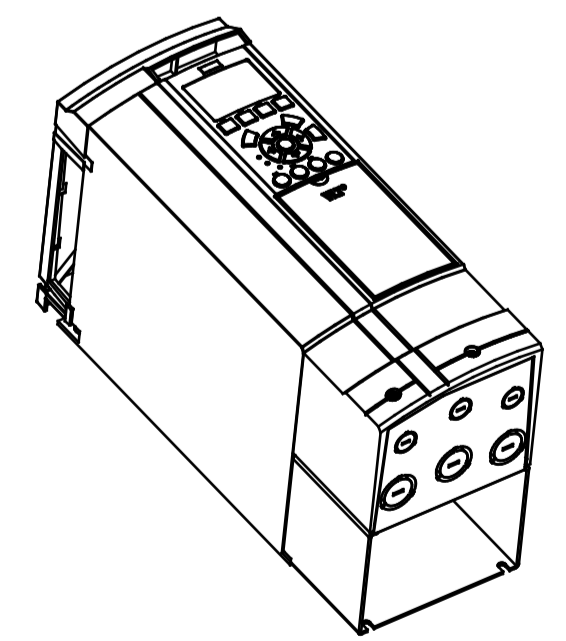
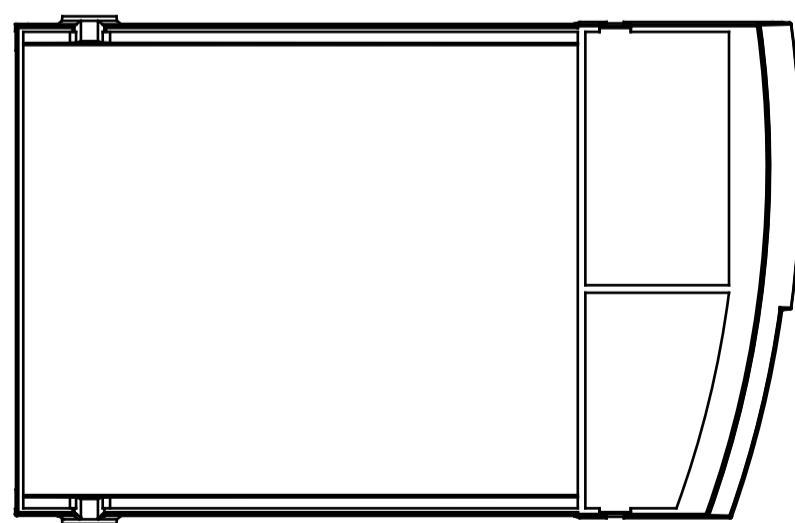
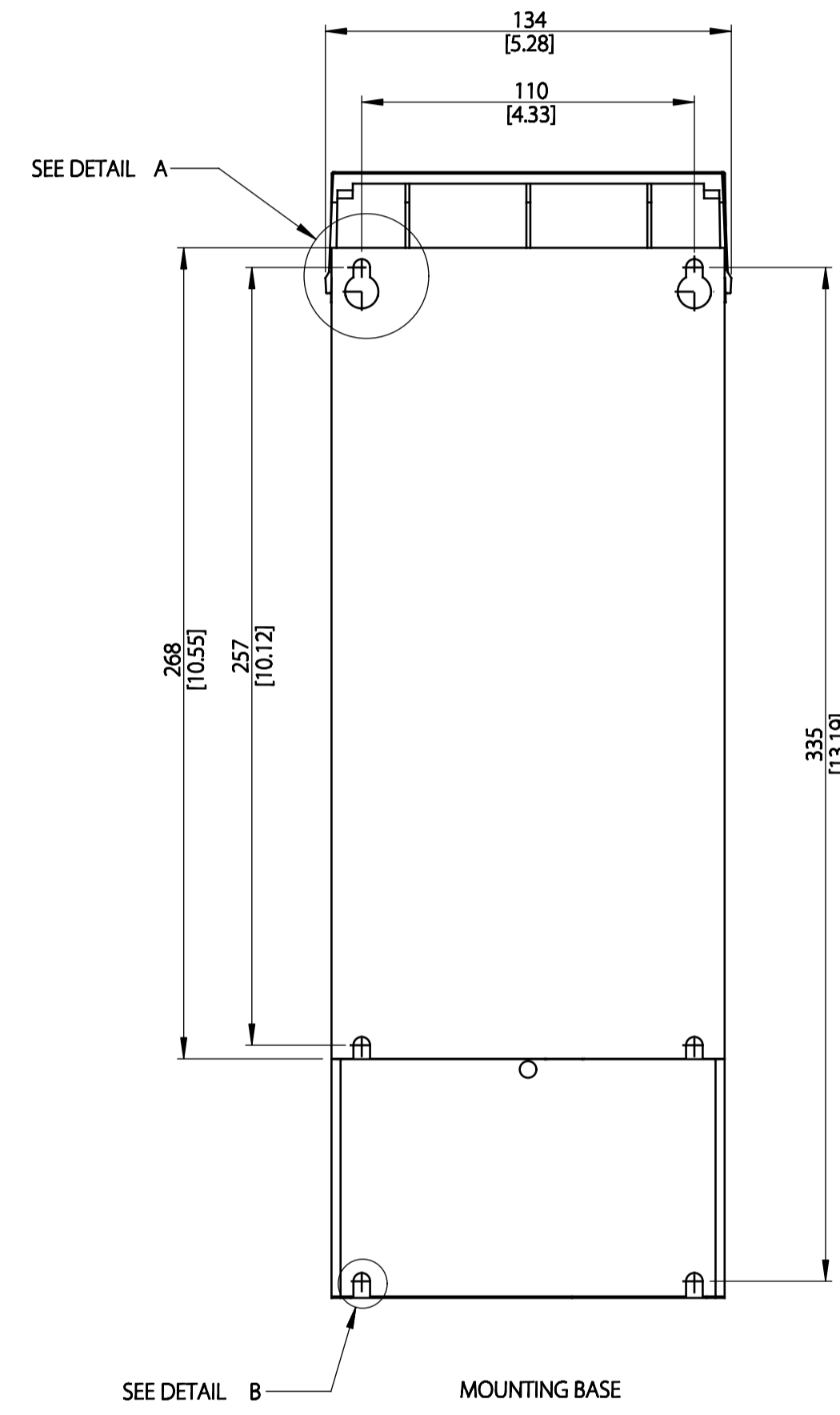
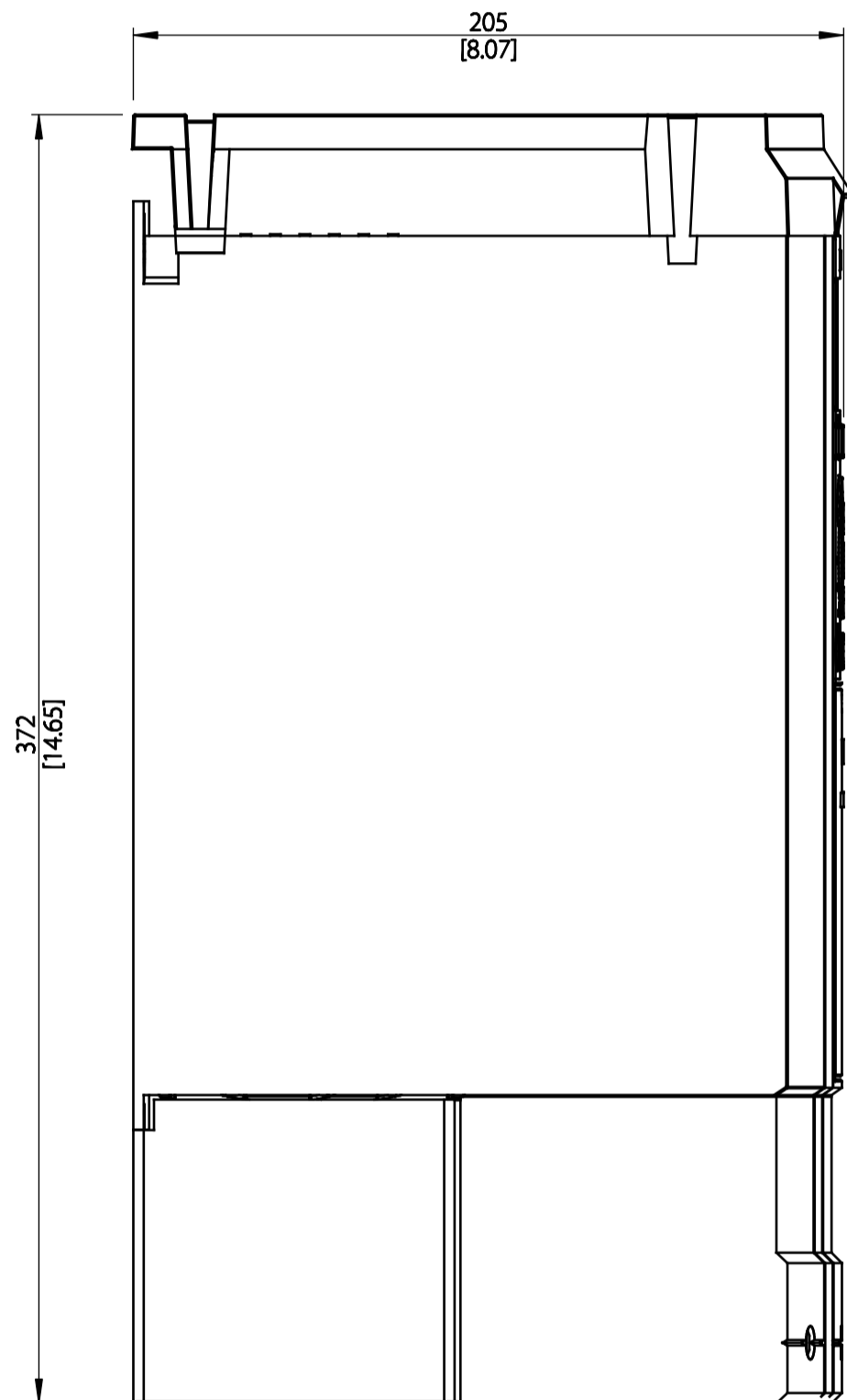
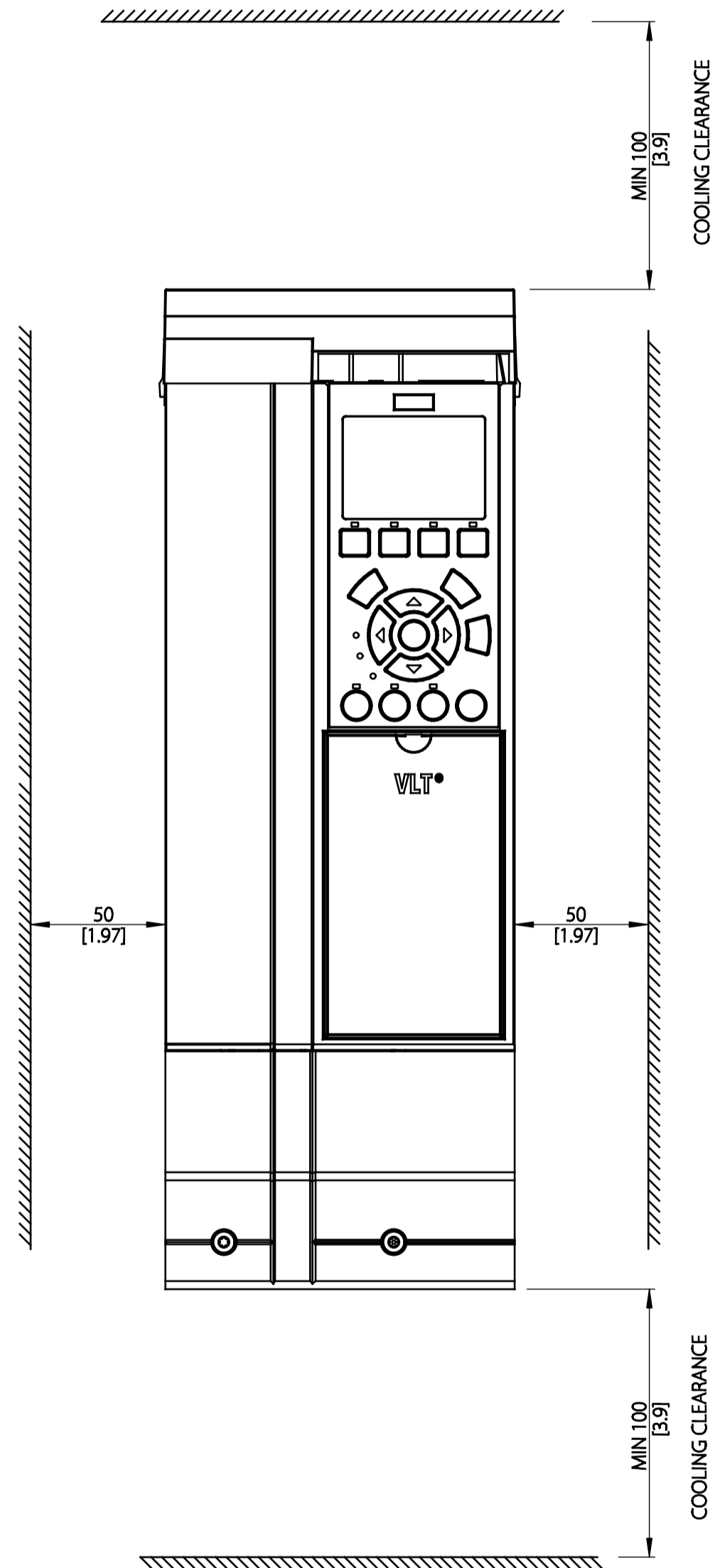
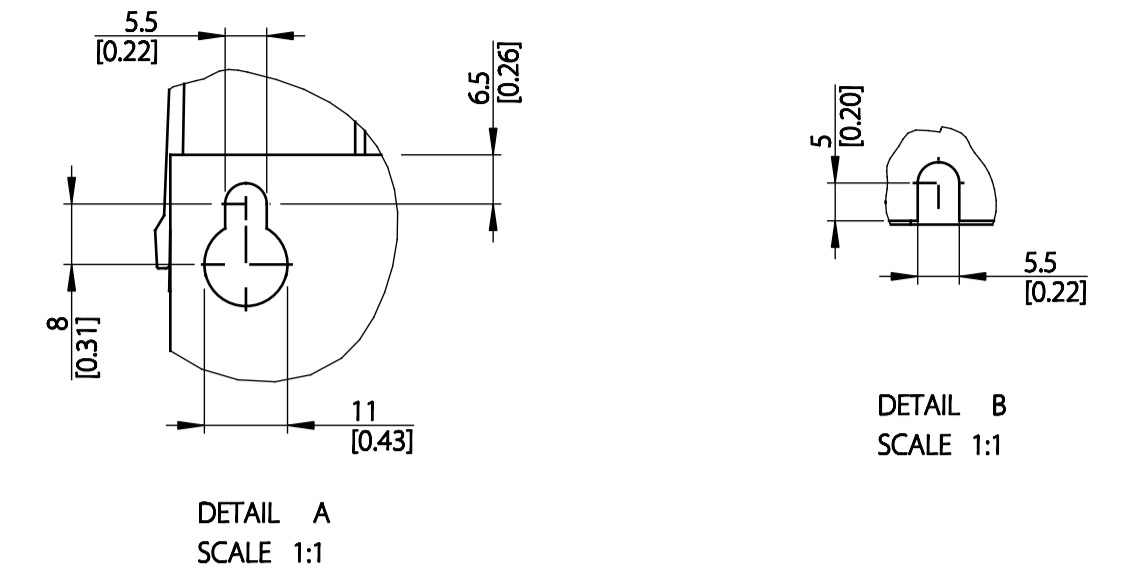
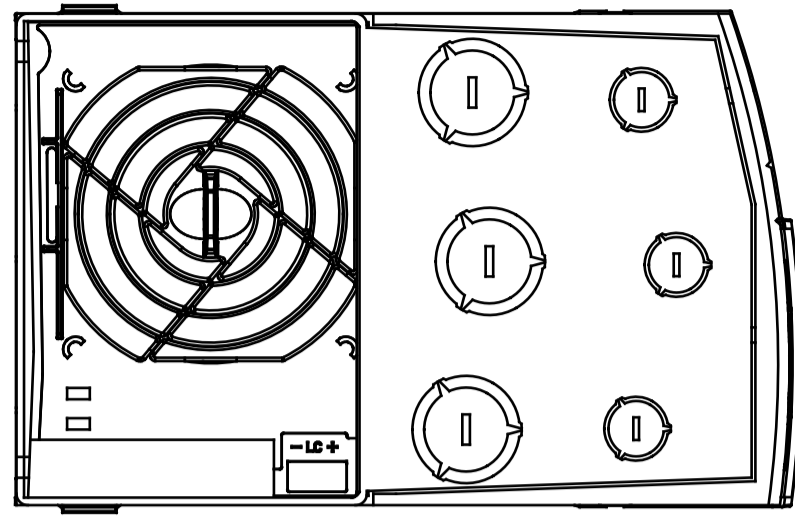


Type	Value
Max Weight	7.0 kg / 15.4 lb
IP Class	IP21
Nema Class	Type 1



THIS DRAWING SHOWS THE MOST COMMON VERSION OF THIS PRODUCT VARIANT.
SMALL DIFFERENCES MAY OCCUR DEPENDING ON THE FINAL PRODUCT CONFIGURATION.

CENTER OF GRAVITY:
FOR REFERENCE ONLY, THE PRODUCT CONFIGURATION MAY INFLUENCE THE CG IN ALL THREE AXES.

UNLESS OTHERWISE SPECIFIED THE TOLERANCE IS ± 1MM (0.4 INCH). ALL DIMENSIONS ARE IN MILLIMETERS (INCH)			FIRST ANGLE PROJECTION	SCALE	DRAWING SIZE	MATERIAL
				1:2	A1	
			FINISH			
			DESCRIPTION			
CHANGED						
DESIGNED	DANFOSS	09-01-2016				
CHECKED						
			DRAWING NUMBER		MCAD-A3-IP21	REV 001
			MODEL		MCAD-A3-IP21	SHEET 1 OF 1
PROPERTY OF DANFOSS A/S NORDBORG, DENMARK. TWO OR THREE DIMENSIONAL REPRODUCTION OF CONTENTS TO BE AUTHORIZED BY DANFOSS A/S.						