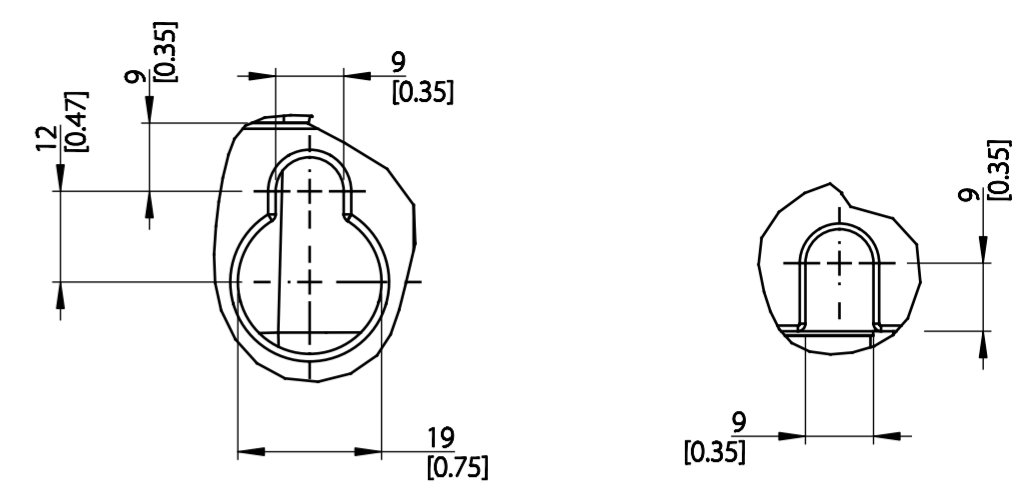
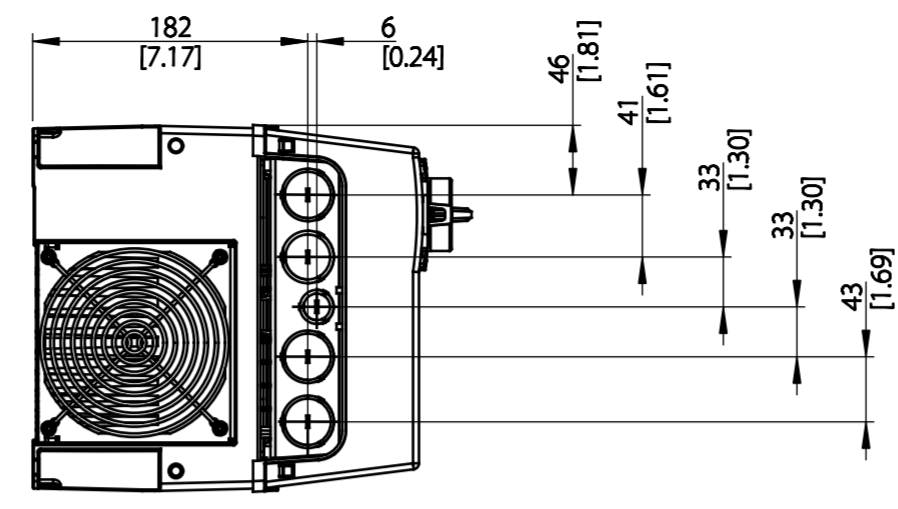
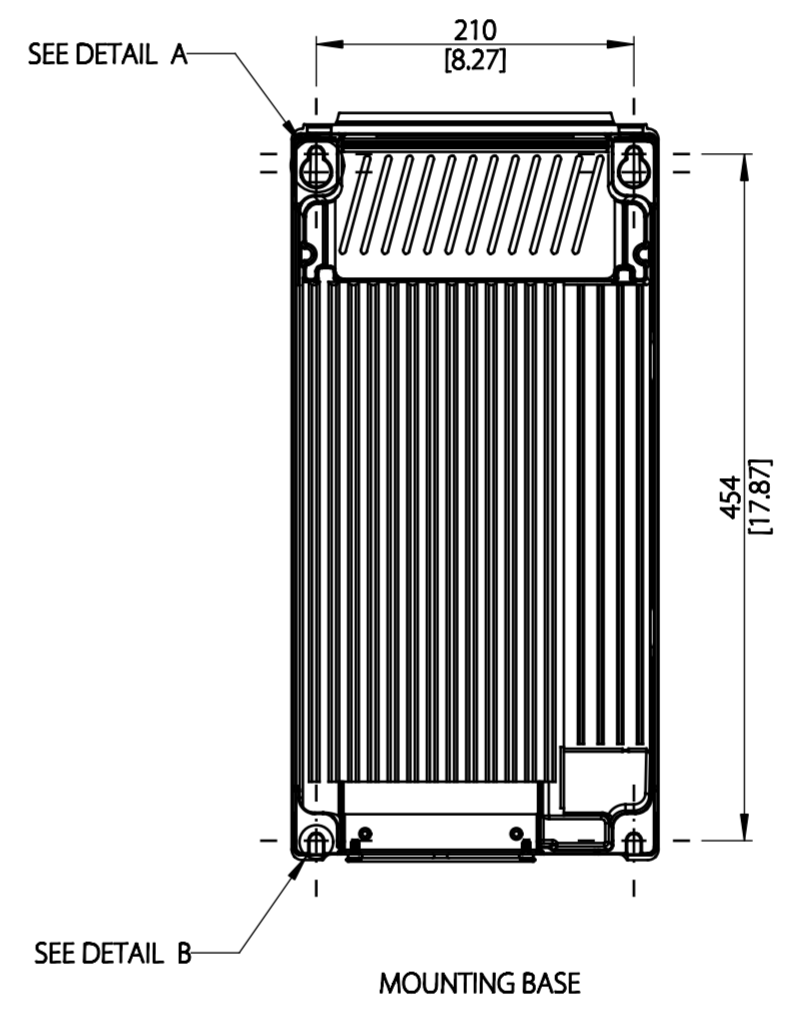
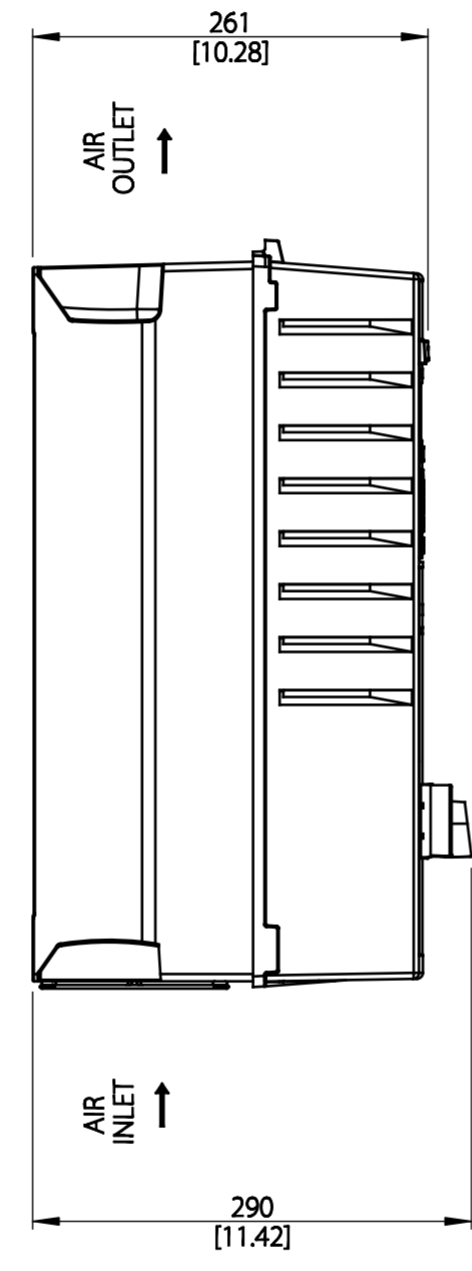
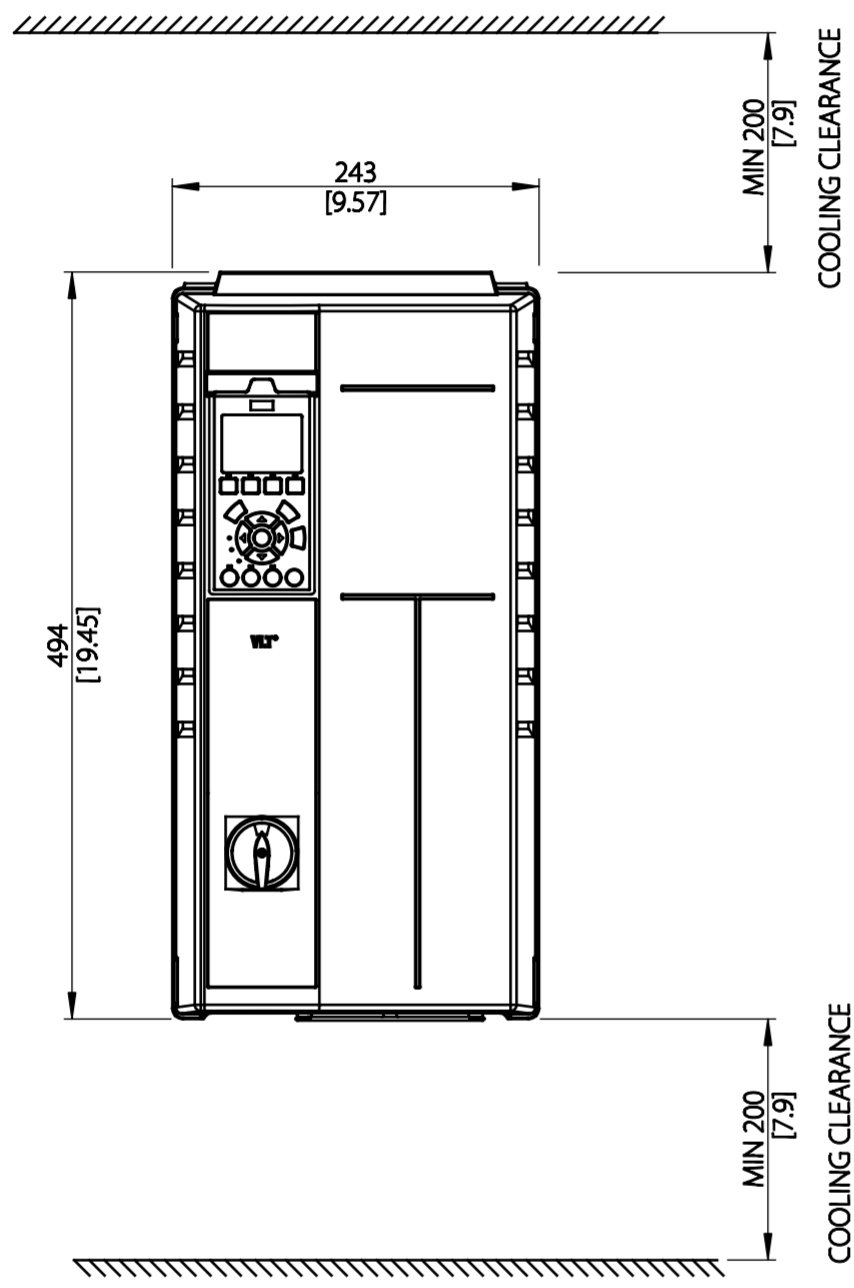


Type	Value
Max Weight	23 kg / 50.7 lb
IP Class	IP21
Nema Class	Type 1

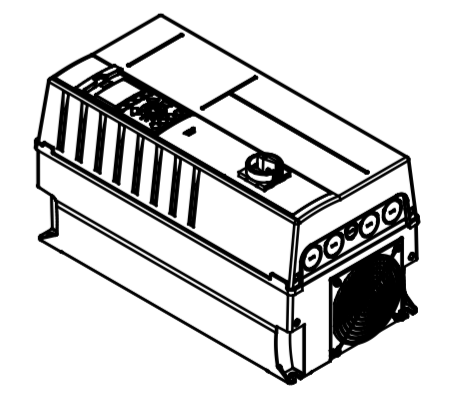
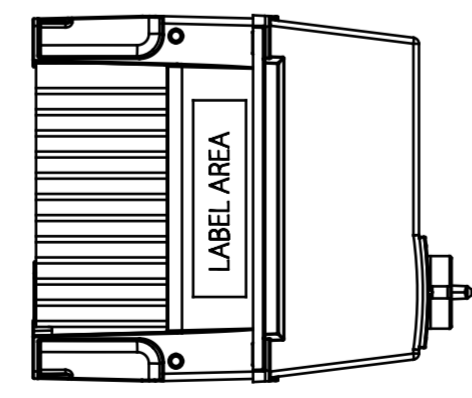


DETAIL A
SCALE 1:1

DETAIL B
SCALE 1:1



MOUNTING BASE



THIS DRAWING SHOWS THE MOST COMMON VERSION OF THIS PRODUCT VARIANT.
SMALL DIFFERENCES MAY OCCUR DEPENDING ON THE FINAL PRODUCT CONFIGURATION.

CENTER OF GRAVITY:
FOR REFERENCE ONLY, THE PRODUCT CONFIGURATION MAY INFLUENCE THE CG IN ALL THREE AXES.

UNLESS OTHERWISE SPECIFIED THE TOLERANCE IS $\pm 1\text{MM}$ [0.4 INCH]. ALL DIMENSIONS ARE IN MILLIMETERS [INCH]		FIRST ANGLE PROJECTION	SCALE 1:5	DRAWING SIZE A2	MATERIAL	
					FINISH	
					DESCRIPTION	
CHANGED					MCAD B1 IP21 WITH DISCONNECTOR	
DESIGNED	DANFOSS 09-01-2016					
CHECKED						
PROPERTY OF DANFOSS A/S NORDBOG, DENMARK. TWO OR THREE DIMENSIONAL REPRODUCTION OF CONTENTS TO BE AUTHORIZED BY DANFOSS A/S.		DRAWING NUMBER	REV			
		MCAD-B1-IP21-WITH-DISCONNECTOR	001			
		MODEL	SHEET			
		MCAD-B1-IP21-WITH-DISCONNECTOR	1 OF 1			