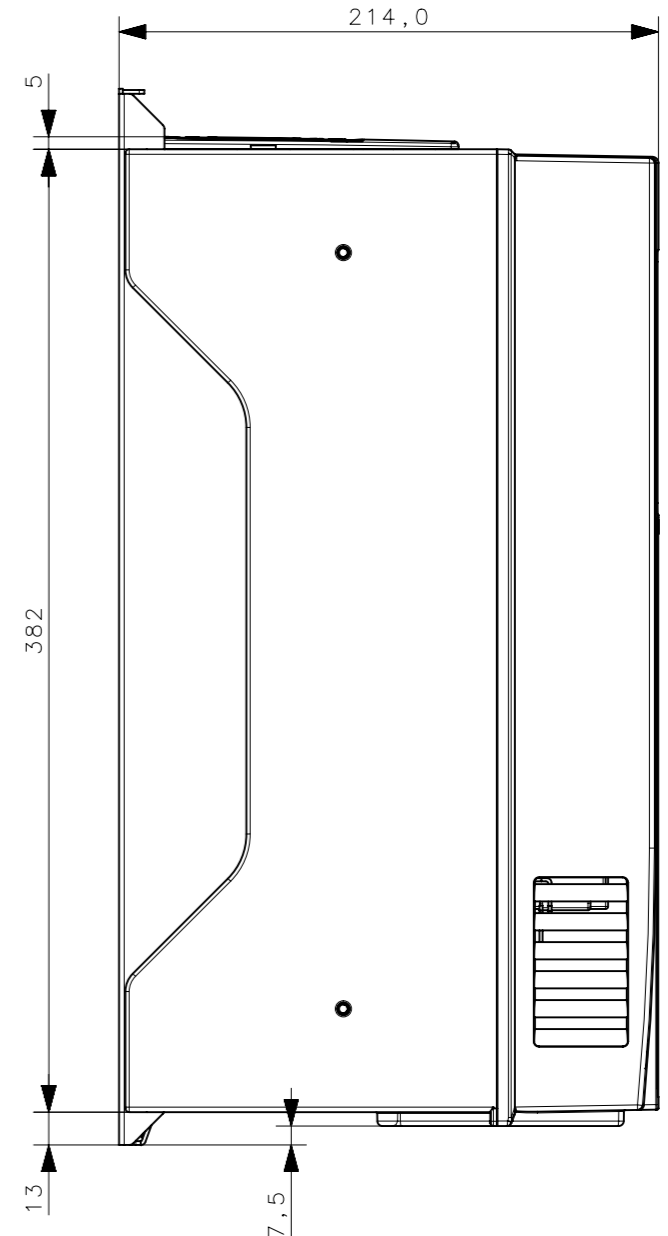
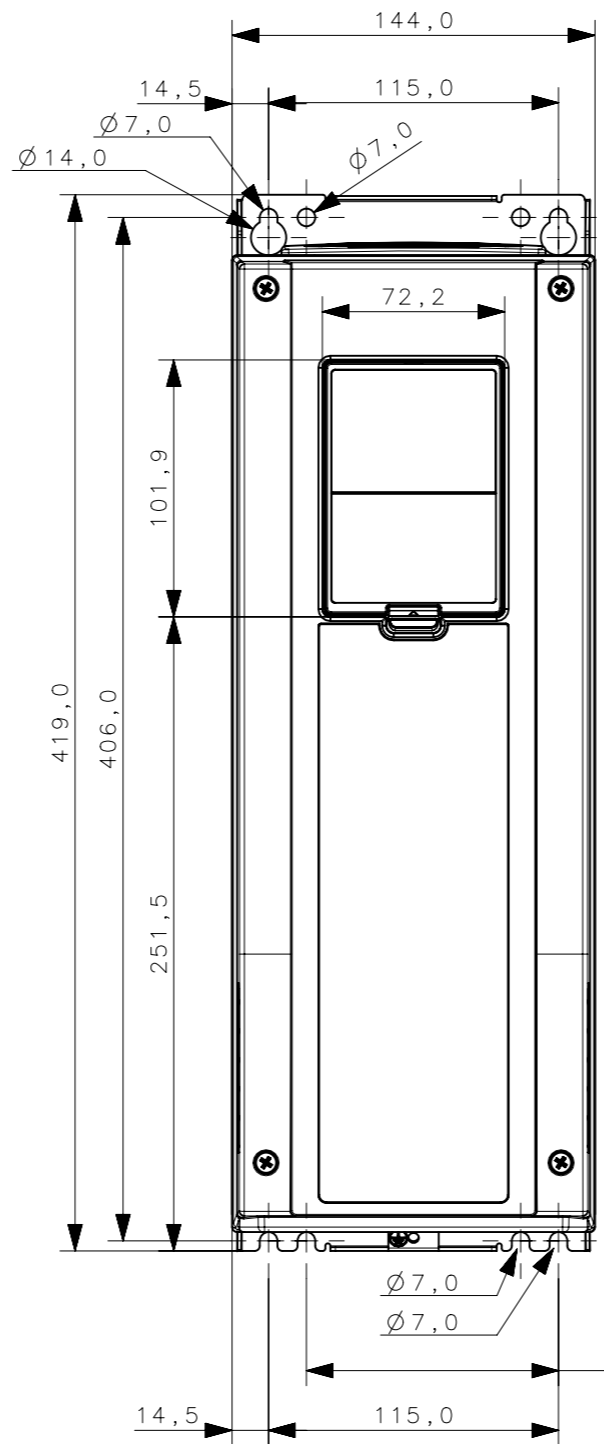
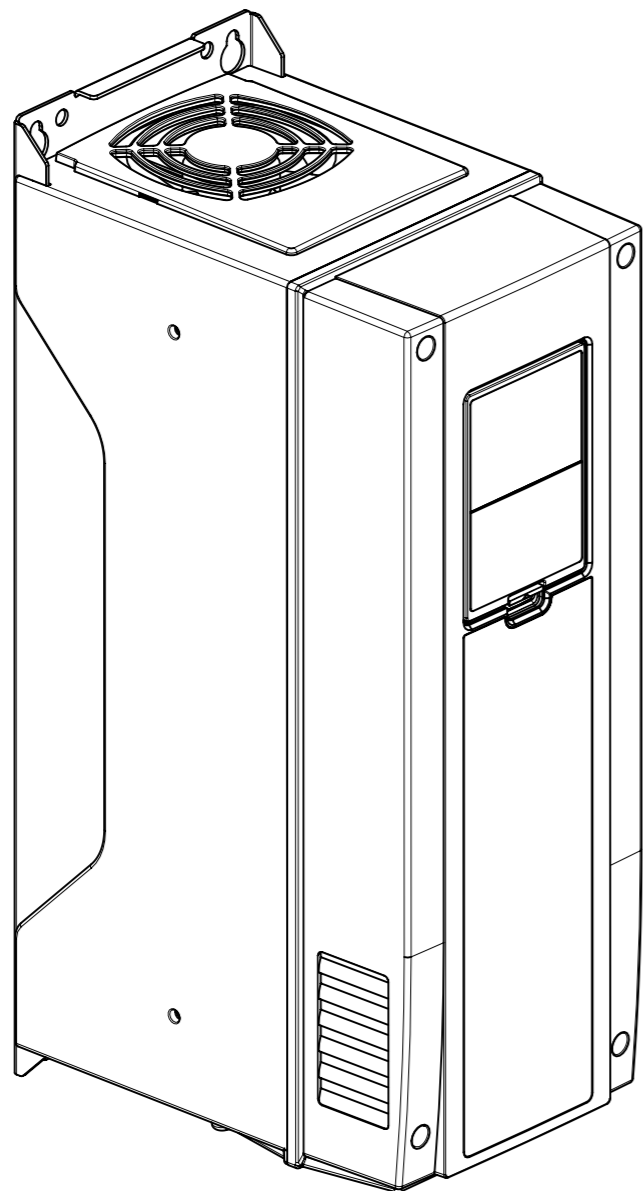


© This document contains privileged and confidential information and proprietary to Vacon PLC and cannot be copied or used without permission

B/UL lead-in documents added/24.5.2013/RDVJoMu



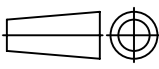
Material:
Finishing:
Mass:
Volume:
Area:

Product:
Name: MR5_Dimension_Drawing
Add. Info 1:
Add. Info 2:

Designer: 4.6.2007 P. Kinnari
Checker:
Approver:

Gen.Tol:
Scale: 1:3
Doc. No
DPD00010

Sheet A3
Page 1/2
Revision B

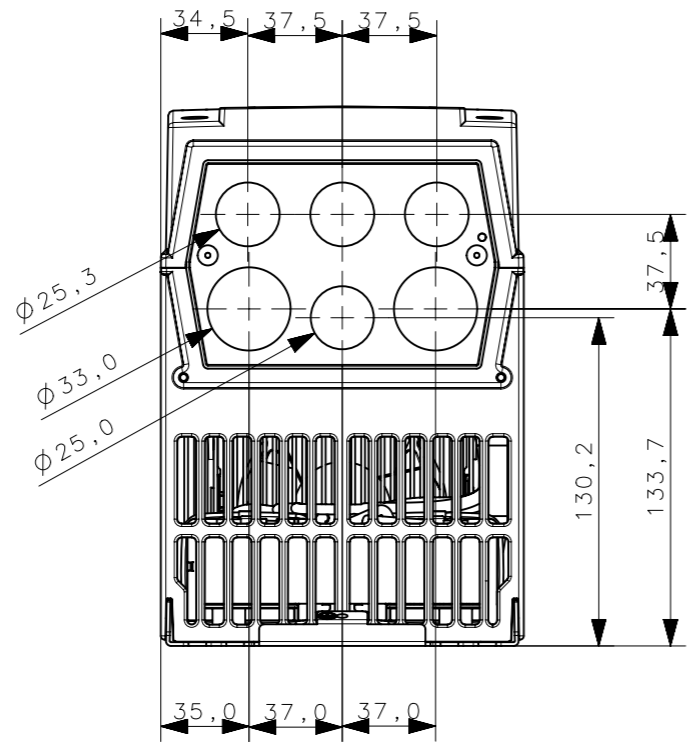


A
B
C
D
E
F

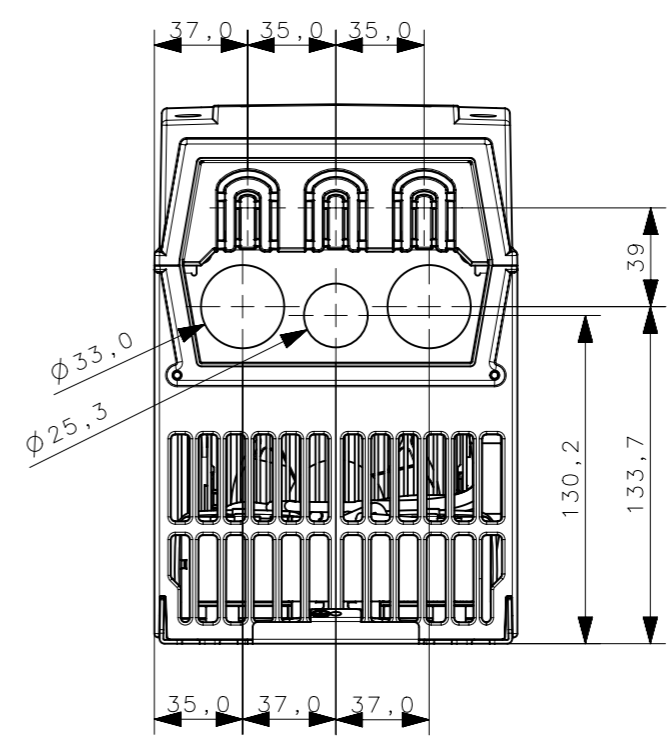
© This document contains privileged and confidential information and proprietary to Vacon PLC and cannot be copied or used without permission

1 2 3 4 5 6 7 8

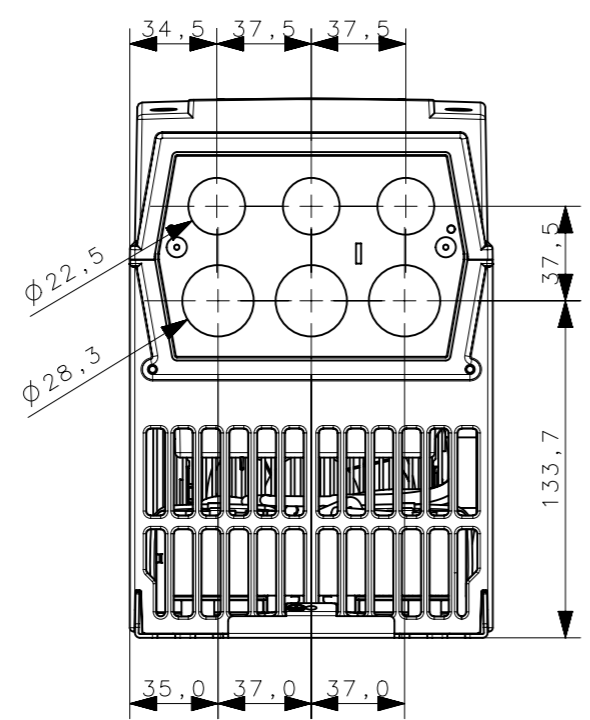
IP54/Metric



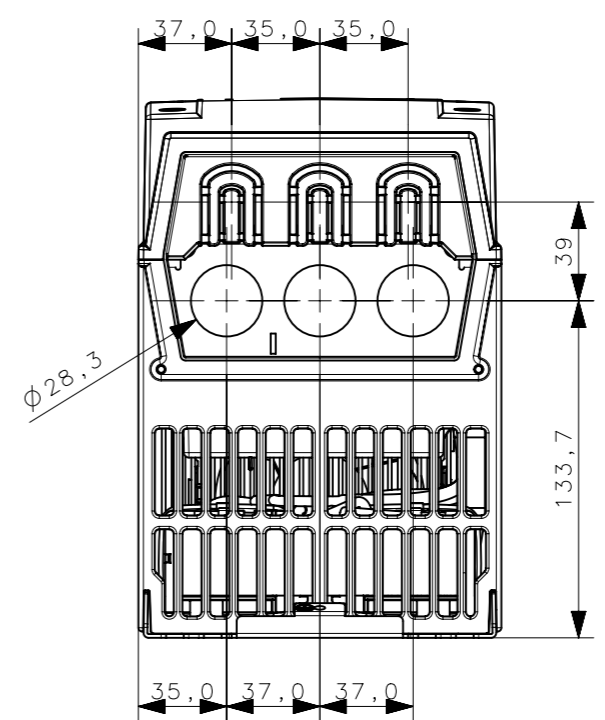
IP21/Metric



IP54/UL



IP21/UL



A
B
C
D
E
F



Material:
Finishing:
Mass:
Volume:
Area:

Product:
Name: MR5_Dimension_Drawing
Add. Info 1:
Add. Info 2:

Designer: 4.6.2007 P. Kinnari
Checker:
Approver:

Gen.Tol:
Scale: 1:3
Doc. No
DPD00010

Sheet A3
Page 2/2
Revision B

