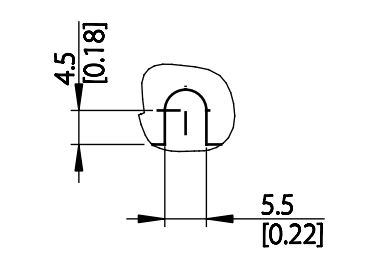
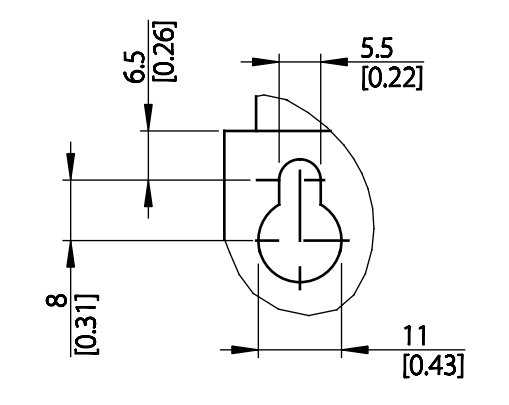
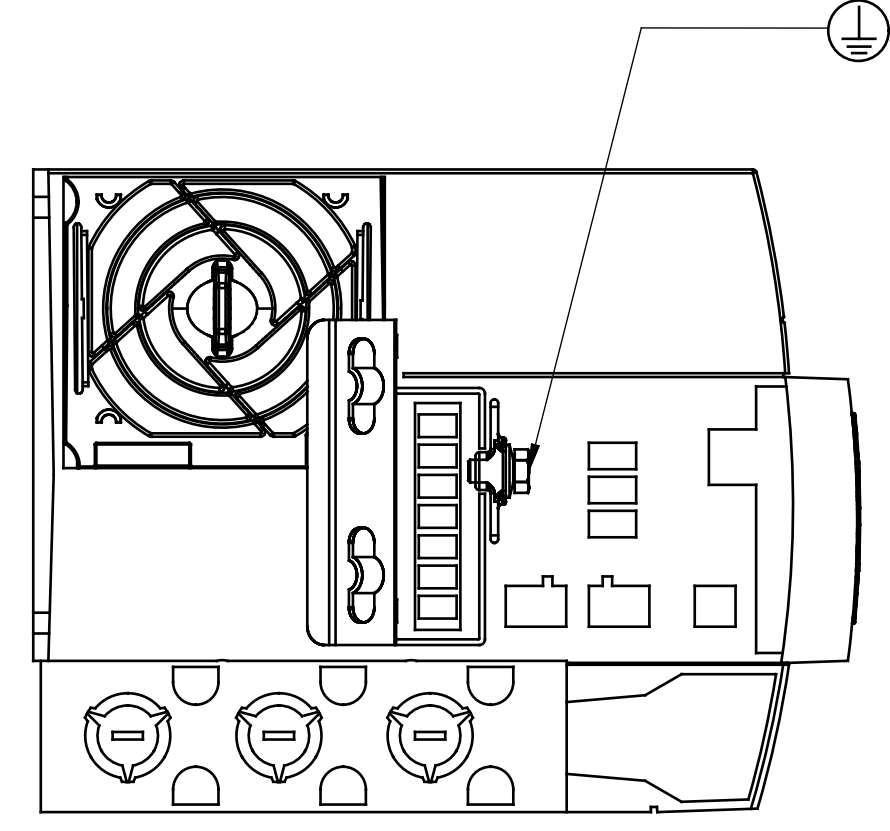
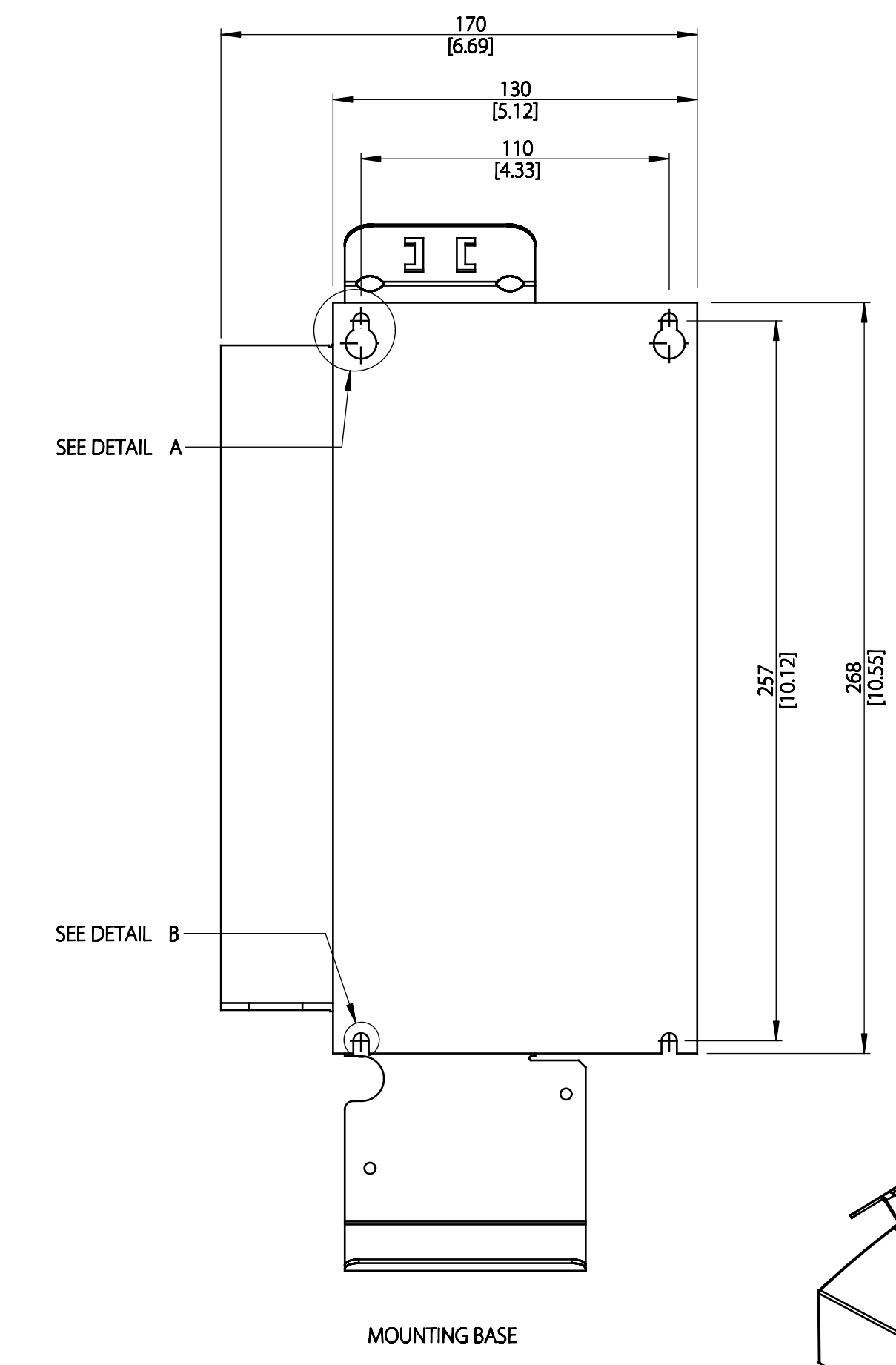
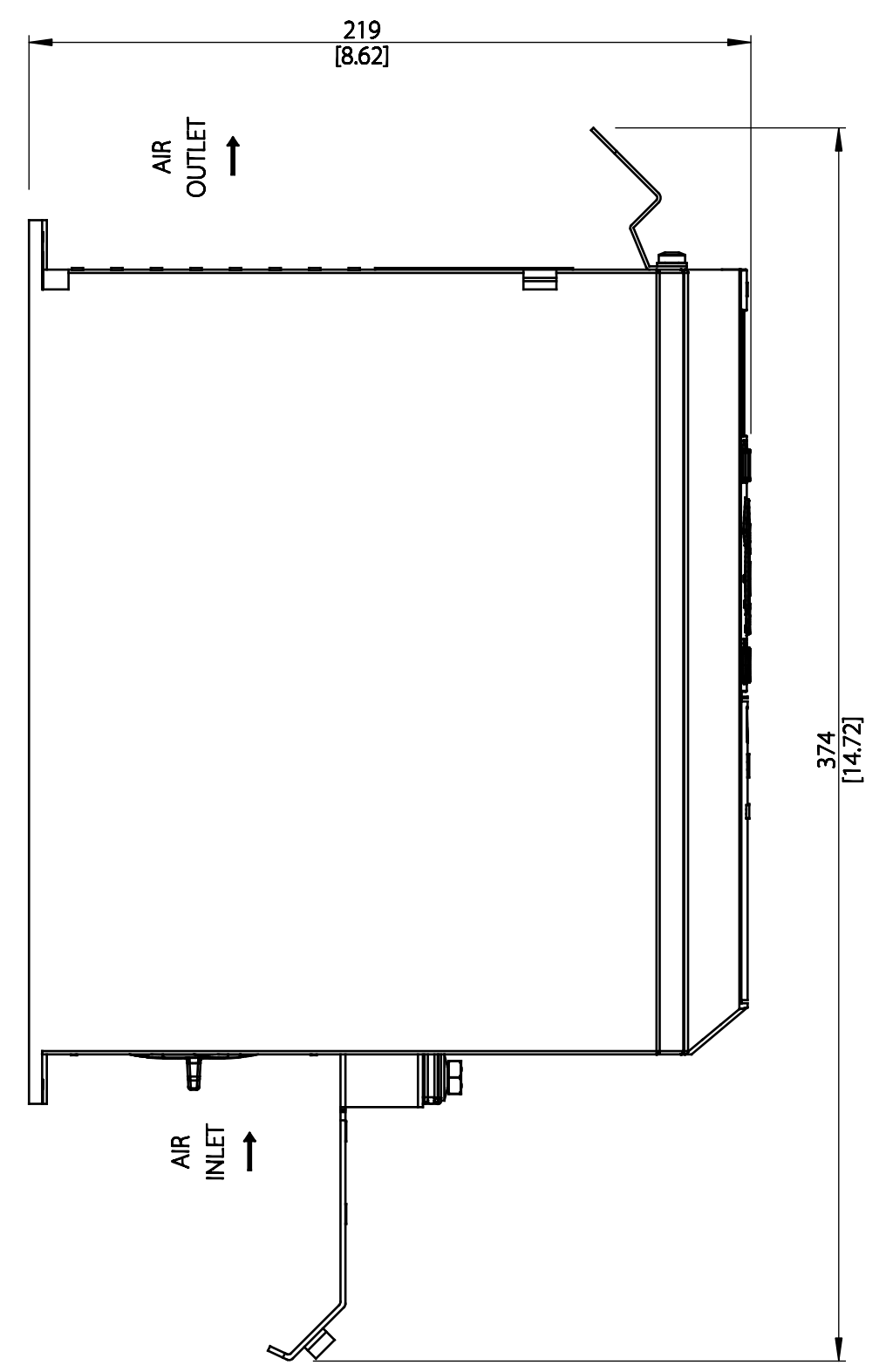
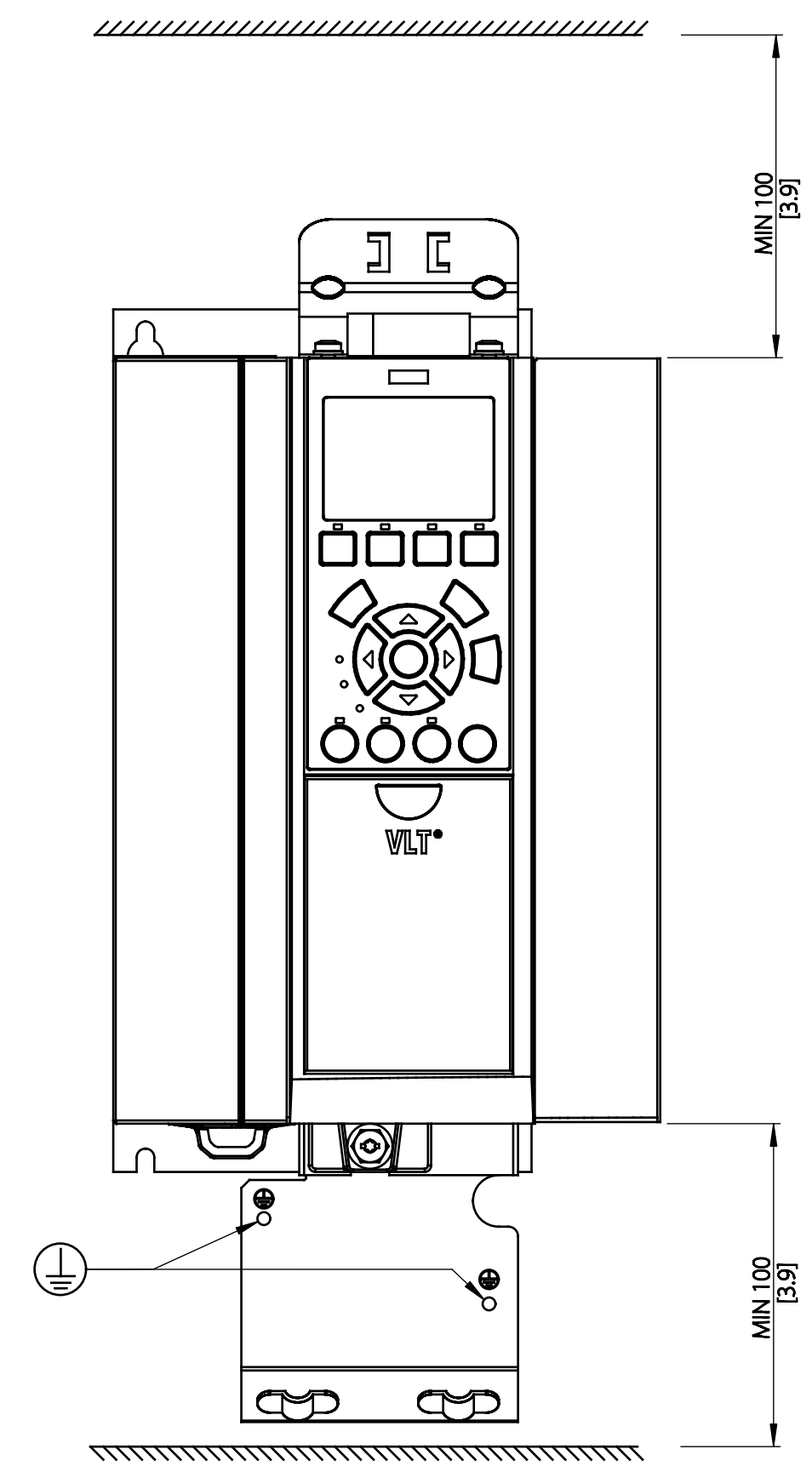


Type	Value
Max Weight	6.6 kg / 14.6 lb
IP Class	IP20 ABC
Nema Class	CHASSIS

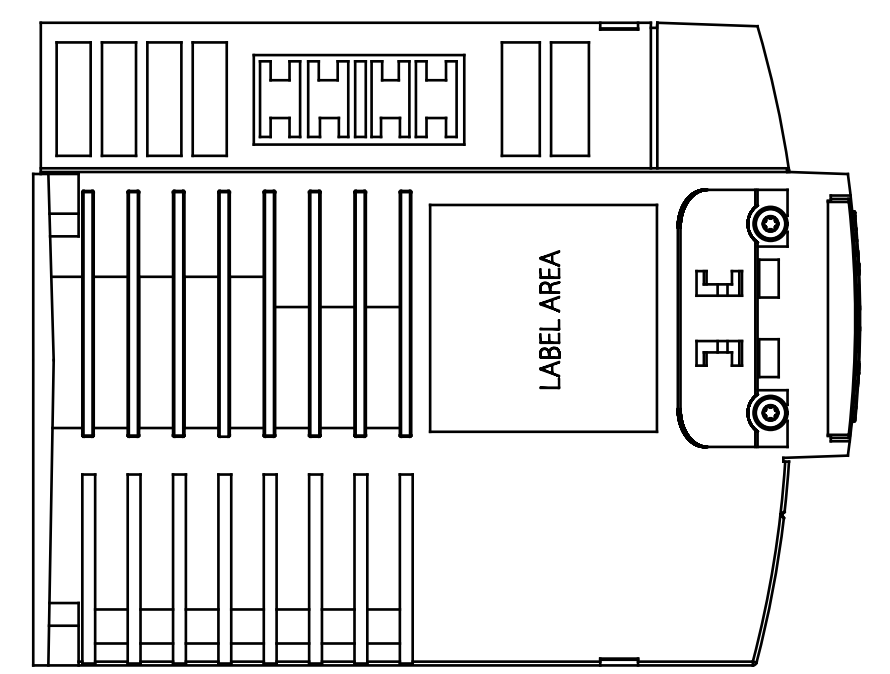
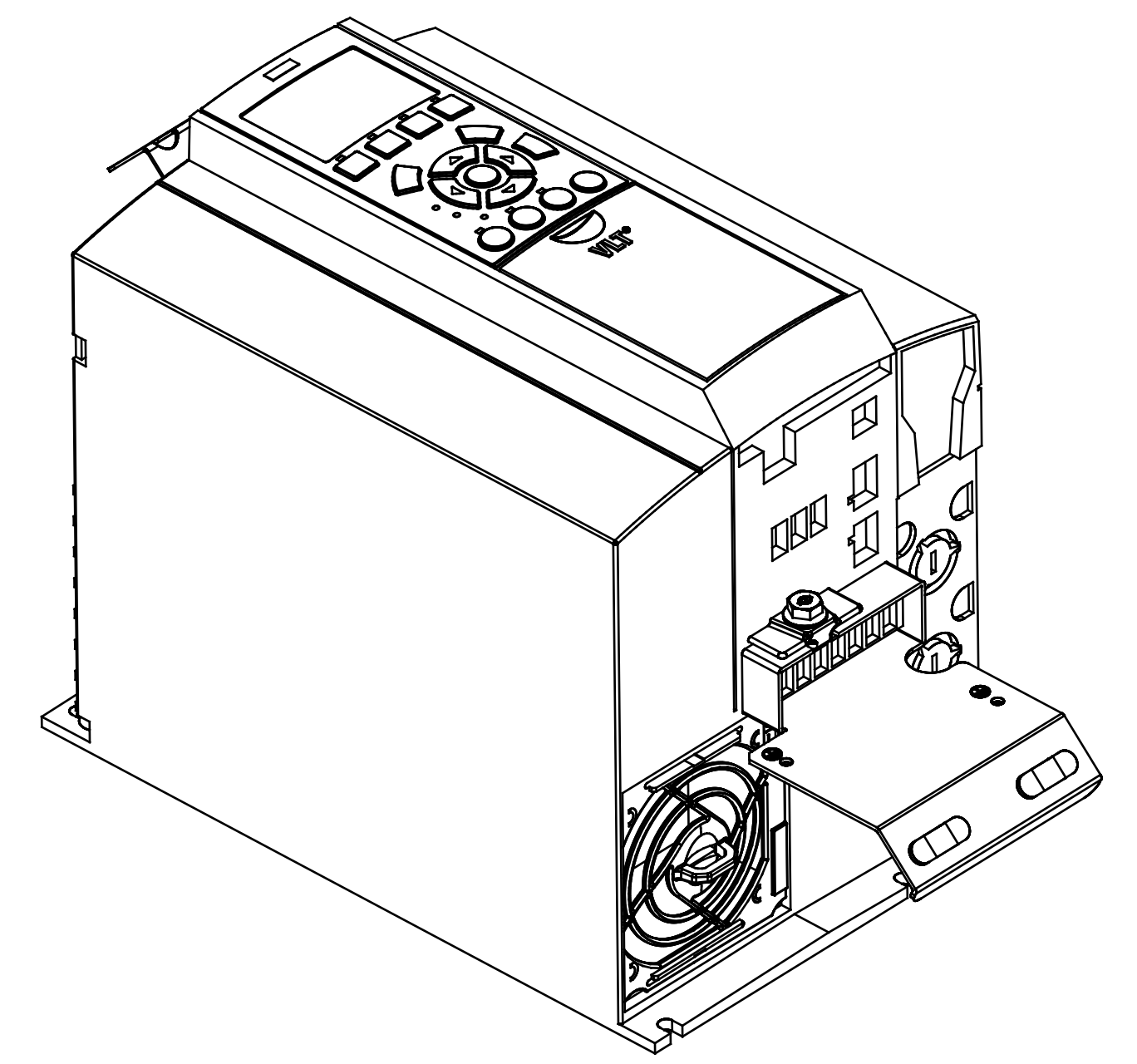


DETAIL A
SCALE 1:1

DETAIL B
SCALE 1:1



MOUNTING BASE



THIS DRAWING SHOWS THE MOST COMMON VERSION OF THIS PRODUCT VARIANT.
SMALL DIFFERENCES MAY OCCUR DEPENDING ON THE FINAL PRODUCT CONFIGURATION.

CENTER OF GRAVITY:
FOR REFERENCE ONLY, THE PRODUCT CONFIGURATION MAY INFLUENCE THE CG IN ALL THREE AXES.

UNLESS OTHERWISE SPECIFIED THE TOLERANCE IS ± 1MM (0.4 INCH). ALL DIMENSIONS ARE IN MILLIMETERS (INCH)			FIRST ANGLE PROJECTION	SCALE	DRAWING SIZE	MATERIAL
				1:2	A1	
CHANGED						
DESIGNED	DANFOSS	30-12-2015				
CHECKED						
DESCRIPTION						
MCAD A3 IP20 ABC						
PROPERTY OF DANFOSS A/S NORDBORG, DENMARK. TWO OR THREE DIMENSIONAL REPRODUCTION OF CONTENTS TO BE AUTHORIZED BY DANFOSS A/S.						REV 001 SHEET 1 OF 1