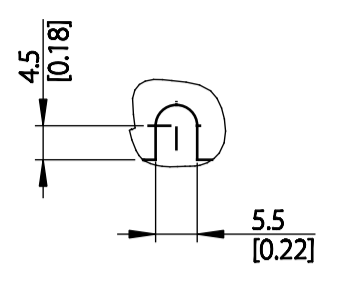
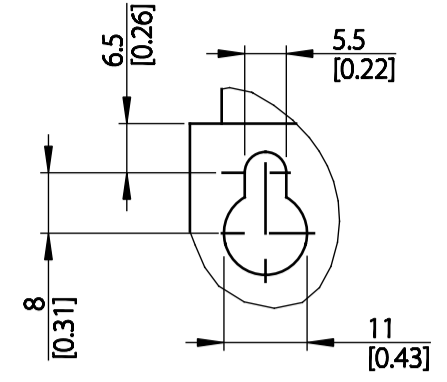
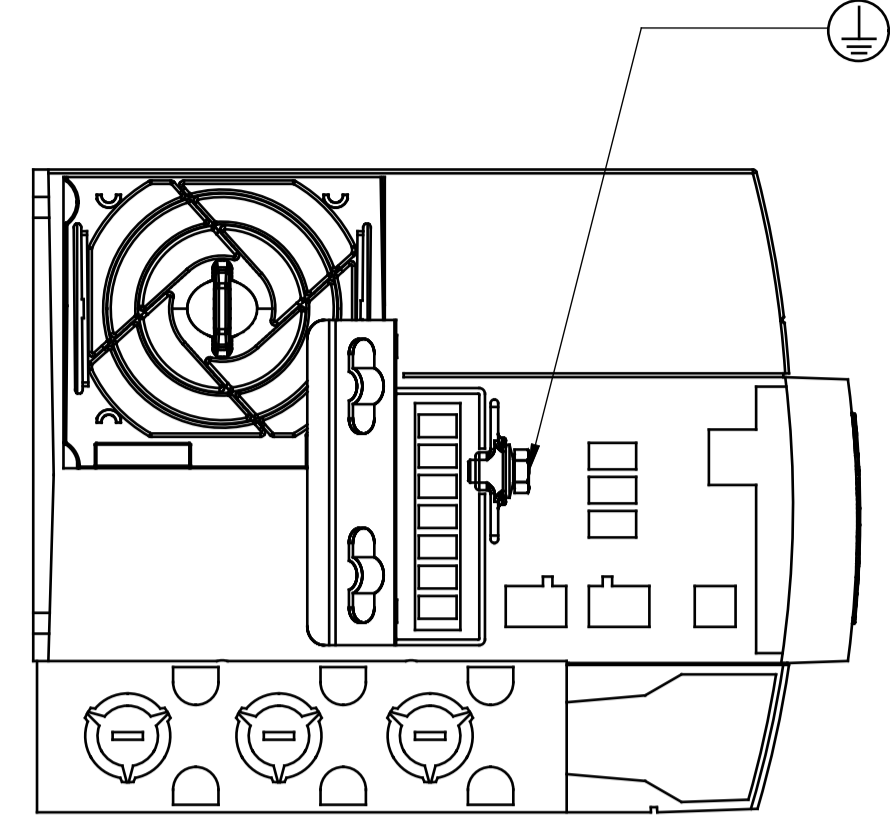
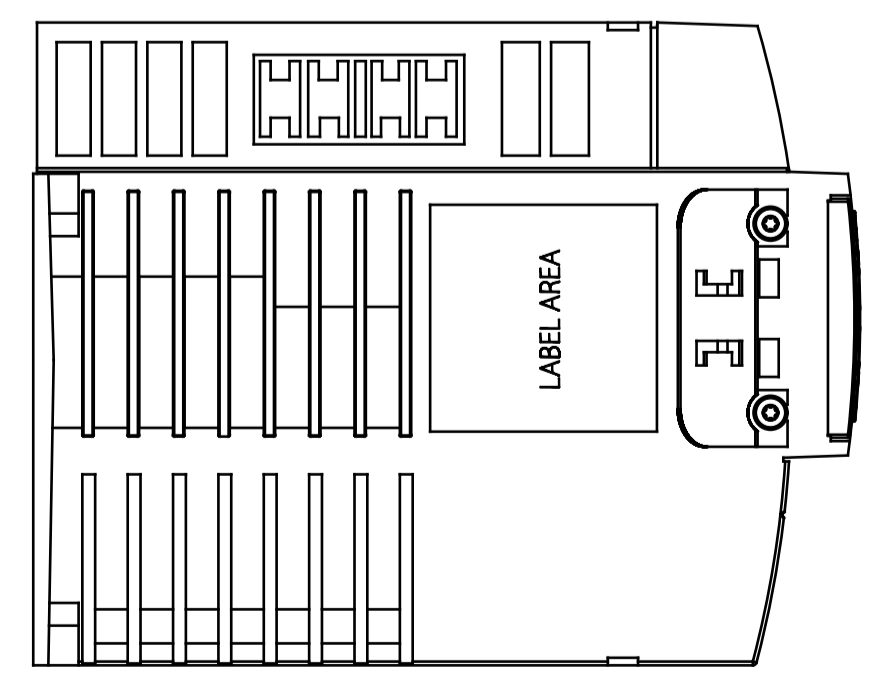
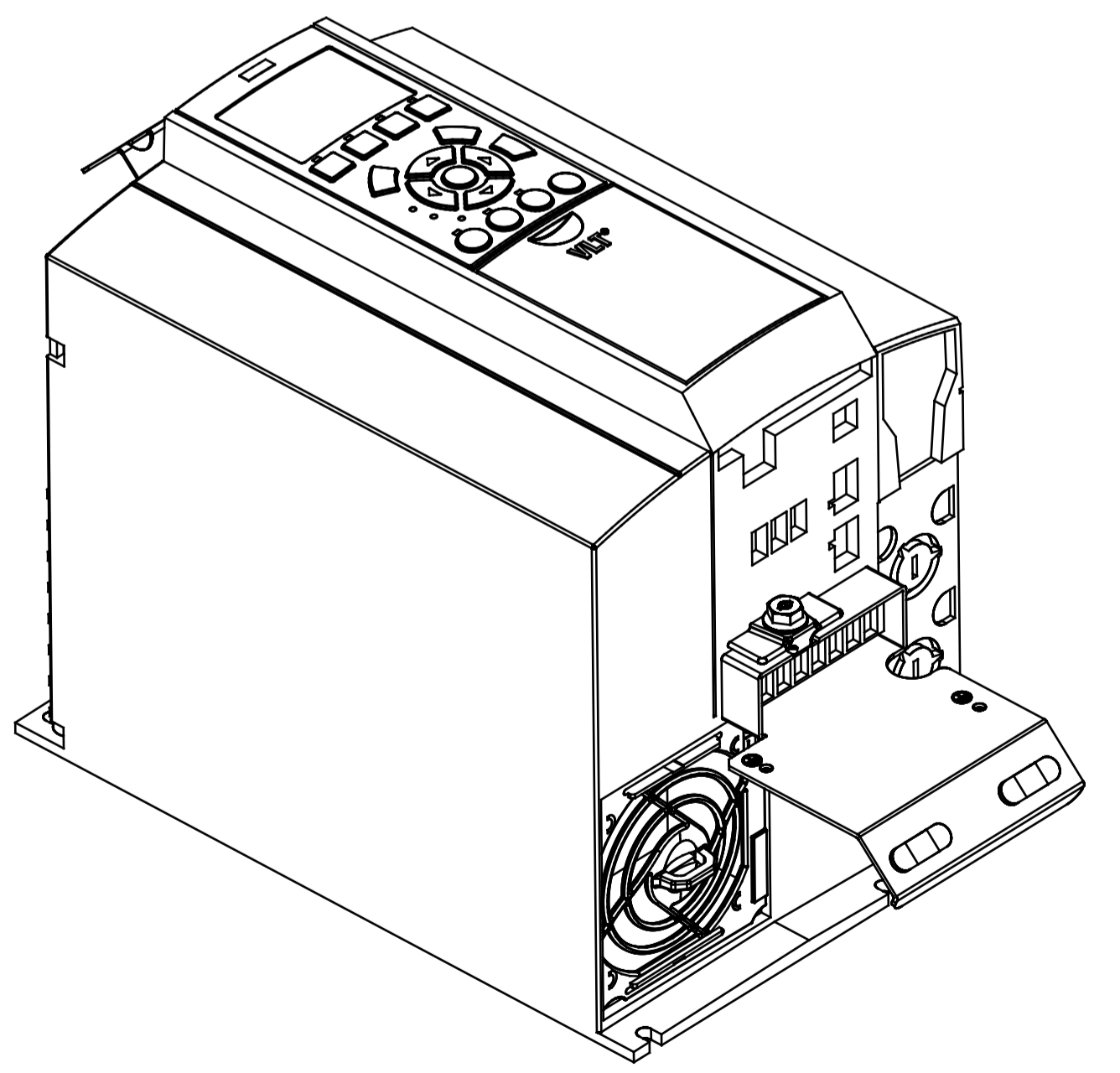
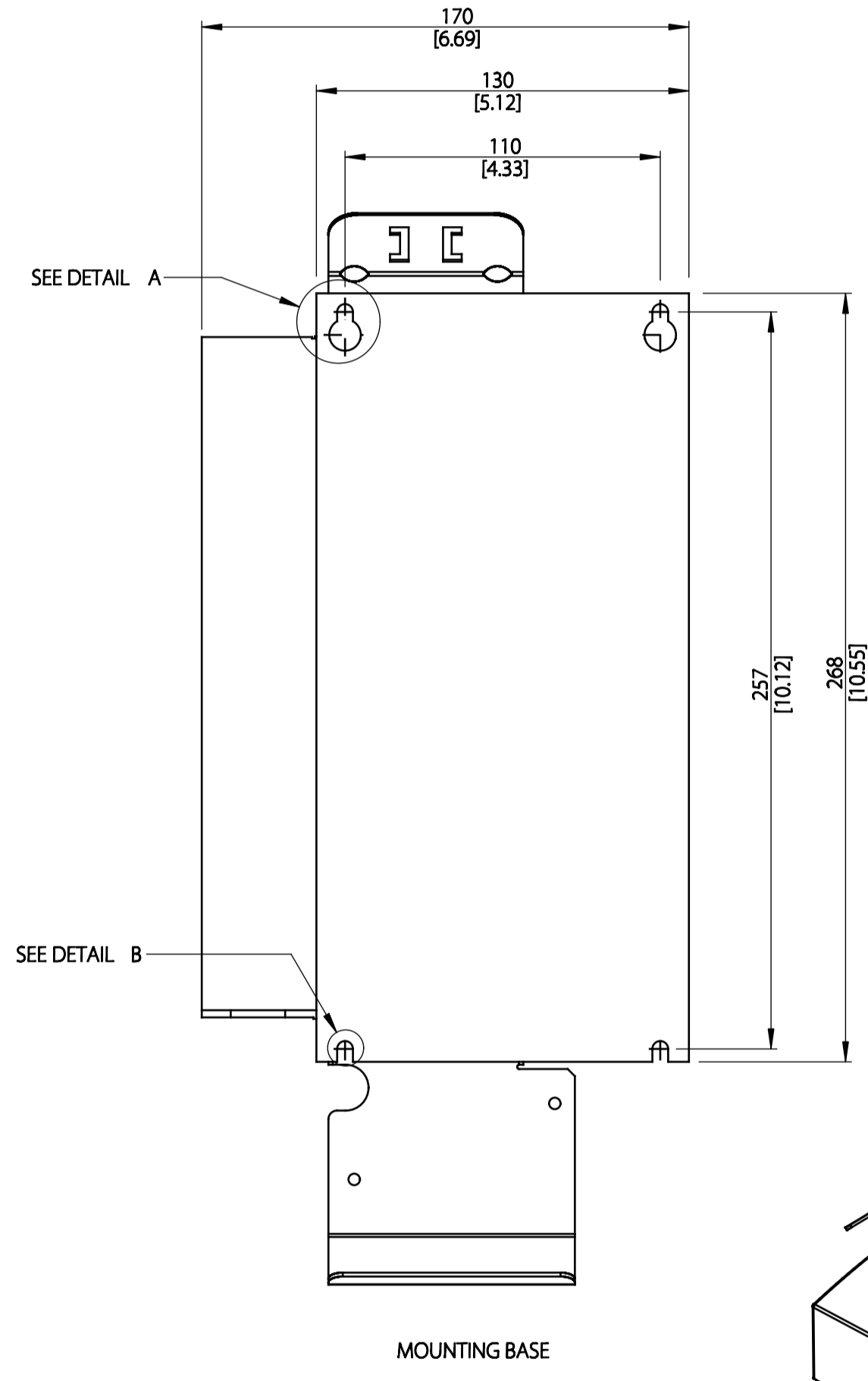
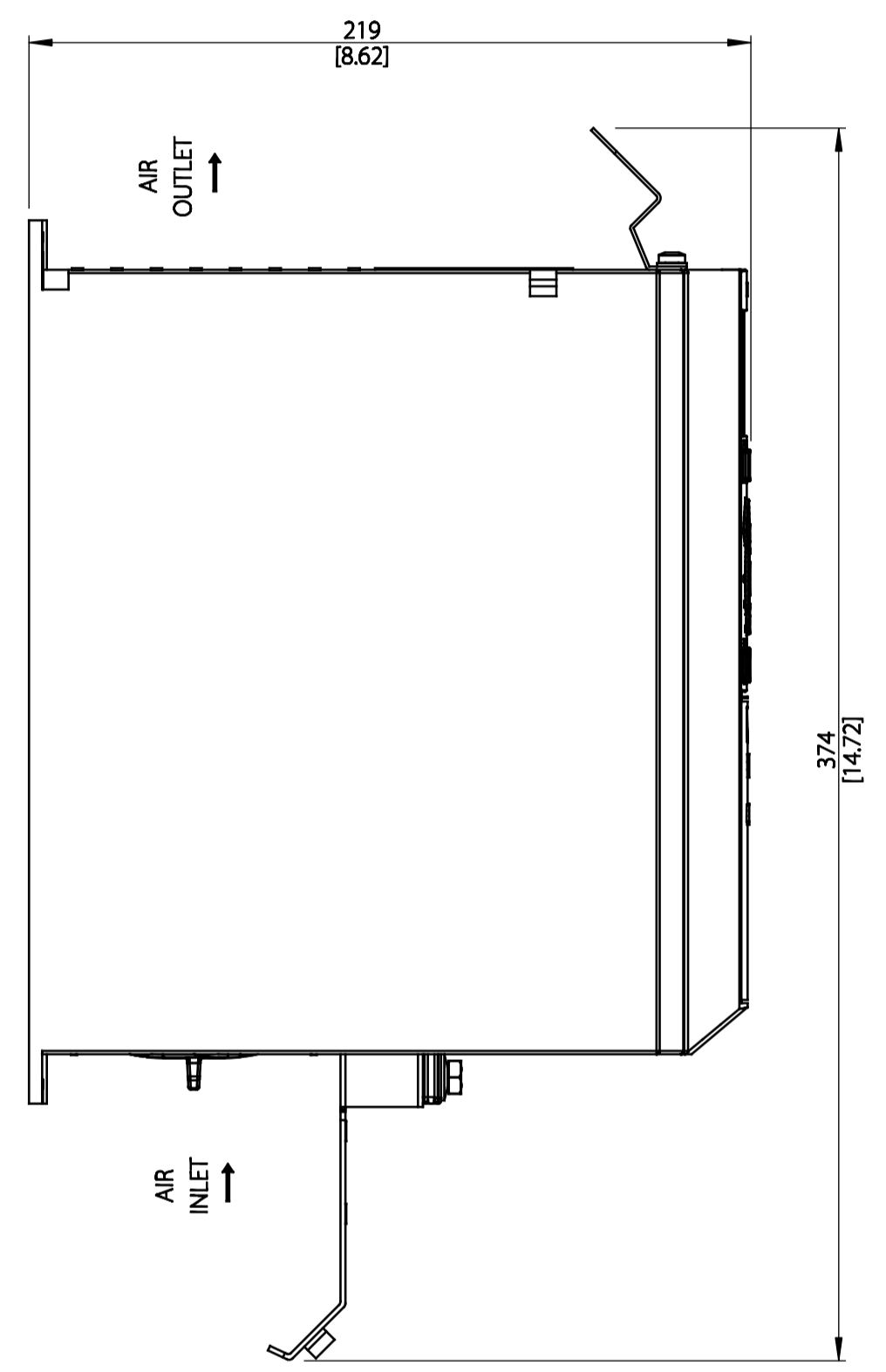
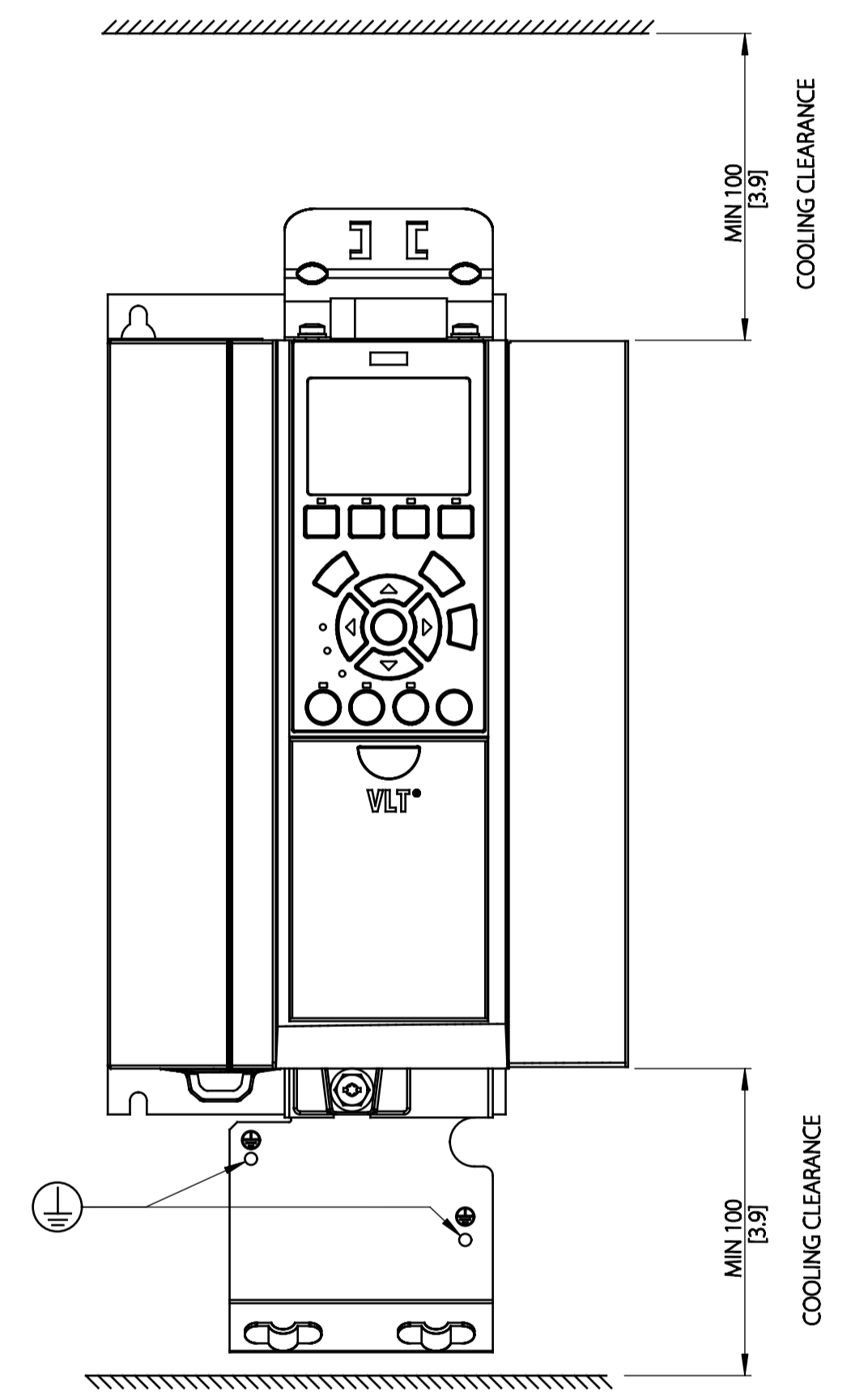


| Type | Value |
|------------|------------------|
| Max Weight | 6.6 kg / 14.6 lb |
| IP Class | IP20 AC |
| Nema Class | CHASSIS |



DETAIL A
SCALE 1:1

DETAIL B
SCALE 1:1



THIS DRAWING SHOWS THE MOST COMMON VERSION OF THIS PRODUCT VARIANT.
SMALL DIFFERENCES MAY OCCUR DEPENDING ON THE FINAL PRODUCT CONFIGURATION.

CENTER OF GRAVITY:
FOR REFERENCE ONLY, THE PRODUCT CONFIGURATION MAY INFLUENCE THE CG IN ALL THREE AXES.

| UNLESS OTHERWISE SPECIFIED THE TOLERANCE IS ± 1MM (0.4 INCH). ALL DIMENSIONS ARE IN MILLIMETERS (INCH) | | | FIRST ANGLE PROJECTION | SCALE | DRAWING SIZE | MATERIAL |
|--|---------|------------|------------------------|-------|--------------|----------|
| | | | | 1:2 | A1 | |
| | | | FINISH | | | |
| | | | DESCRIPTION | | | |
| CHANGED | | | | | | |
| DESIGNED | DANFOSS | 09-01-2016 | | | | |
| CHECKED | | | | | | |
| | | | DRAWING NUMBER | | REV | |
| | | | MCAD-A3-IP20-AC | | 001 | |
| | | | MODEL | | SHEET | |
| | | | MCAD-A3-IP20-AC | | 1 OF 1 | |

PROPERTY OF DANFOSS A/S NORDBORG, DENMARK. TWO OR THREE DIMENSIONAL REPRODUCTION OF CONTENTS TO BE AUTHORIZED BY DANFOSS A/S.