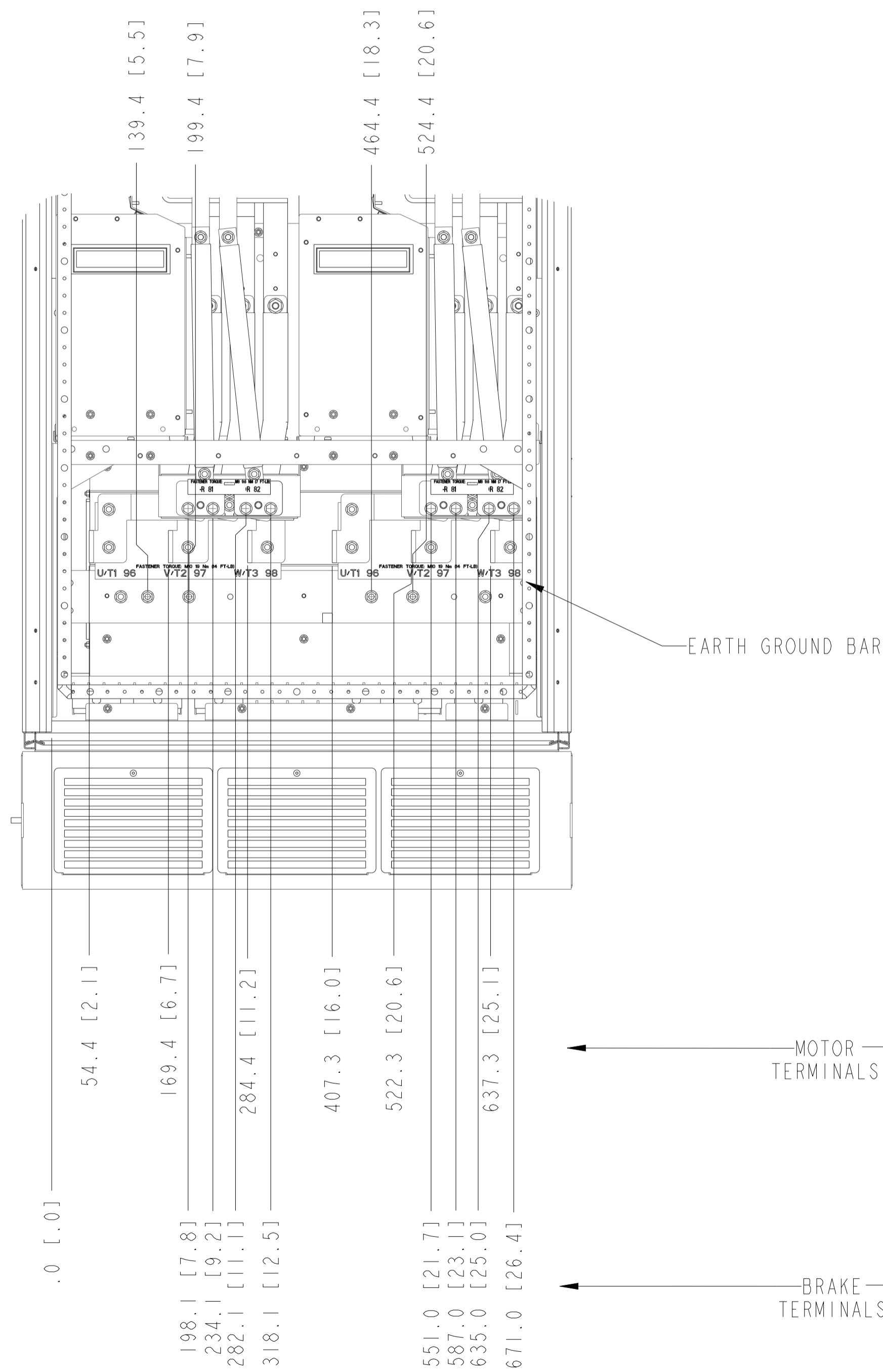
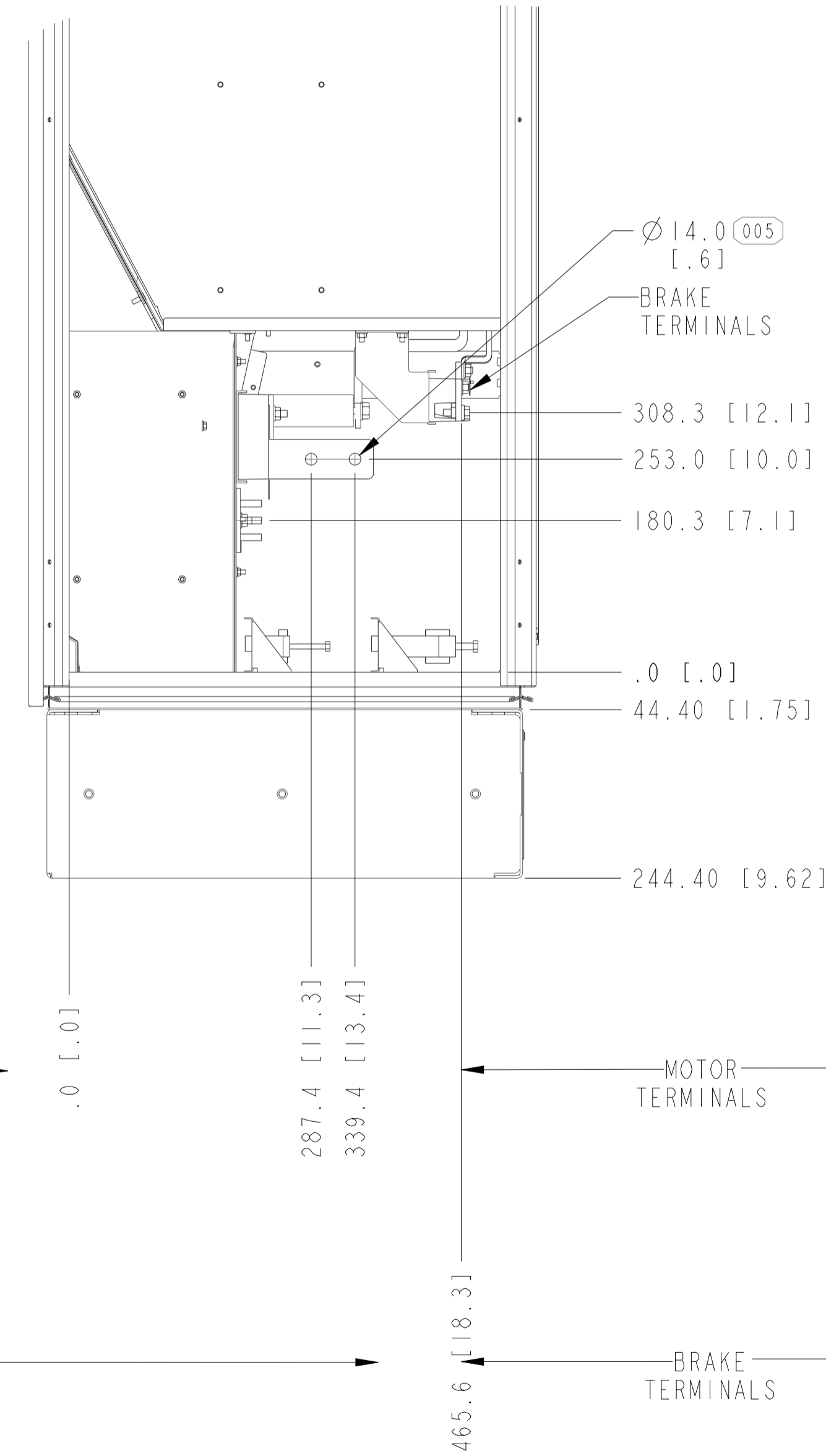


# FRAME F1 AND F3 IP21/IP54/UL AND NEMA1/NEMA12

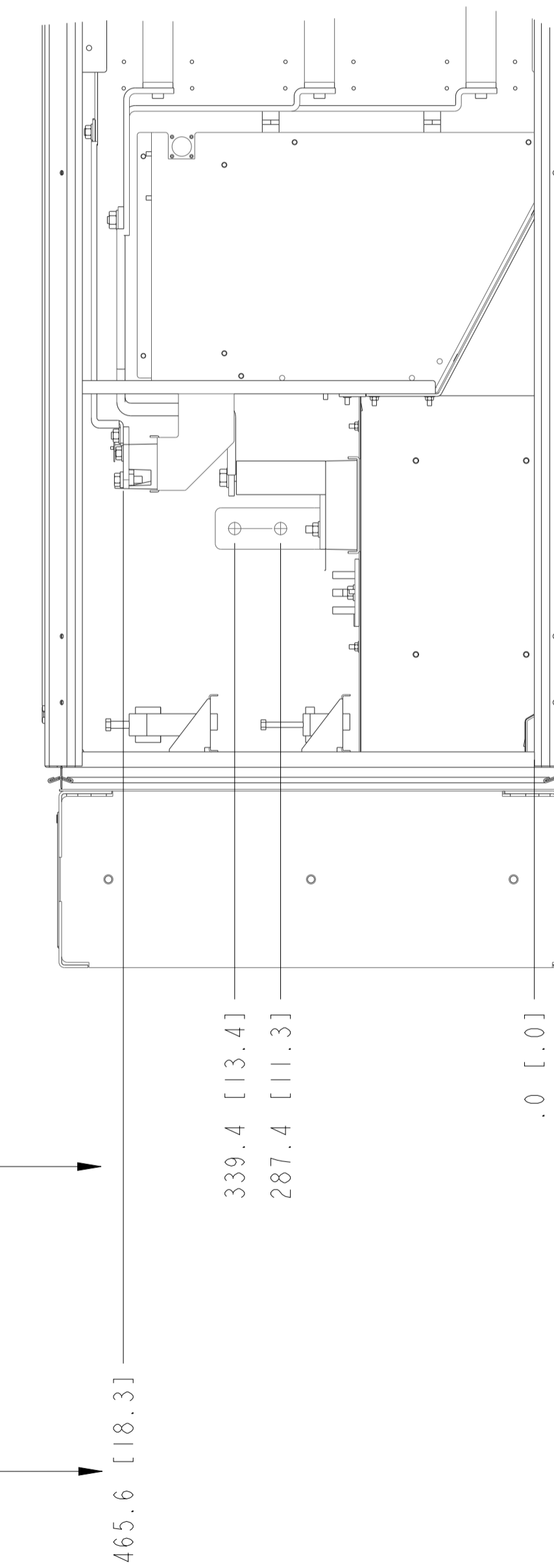
TERMINAL LOCATION  
FRONT VIEW



TERMINAL LOCATION  
LEFT VIEW



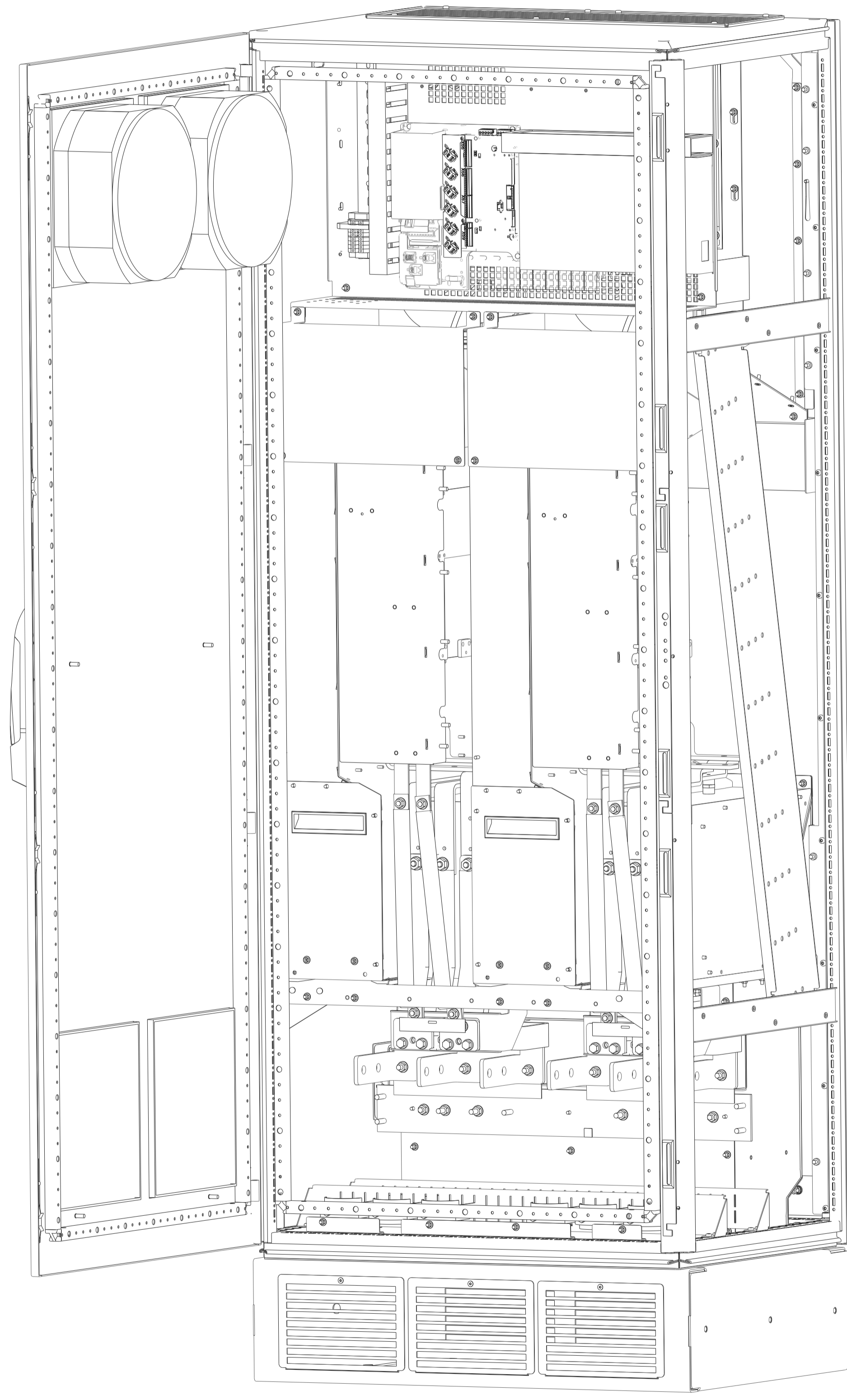
TERMINAL LOCATION  
RIGHT VIEW



NOTES:  
1. FOR FASTENER TORQUES, REFER TO I75R5600 CLASS A. UNLESS OTHERWISE SPECIFIED.

▽ CRITICAL CHARACTERISTICS  
 ▽ KEY CHARACTERISTICS  
 ○ INSPECTION  
 MUST COMPLY TO ROHS DIRECTIVE 2011/65/EU

UNLESS OTHERWISE SPECIFIED INTERPRET DIM. & TOL. PER ASME Y14.5M-1994 ALL DIMENSIONS ARE IN MILLIMETERS K±1.0 K&D.50 L±1.0		THIRD ANGLE PROJECTION	SCALE 0.180	SIZE A1	MATERIAL
— PDM CONTROLLED DRAWING — NOT VALID WITHOUT FROZEN DATE IN ID STAMP		<b>Danfoss</b>		FINISH	
CHANGED	BC			05/07/18	DESCRIPTION
DESIGNED	JM	06/19/07	DRW_REF_TERMINAL_INVERTER_CAB_F1/F3		
CHECKED			DRAWING NUMBER: I77R0035		
CONFIDENTIAL - PROPERTY OF DANFOSS A/S NORBORG, DENMARK. NOT TO BE HANDED OVER TO BE COPIED OR BE USED BY A THIRD PARTY. TWO OR THREE DIMENSIONAL REPRODUCTION OF CONTENTS TO BE AUTHORIZED BY DANFOSS A/S.			REV 005		SHEET 1 OF 2



CONTROL CABLE ROUTING AREA

17764468

