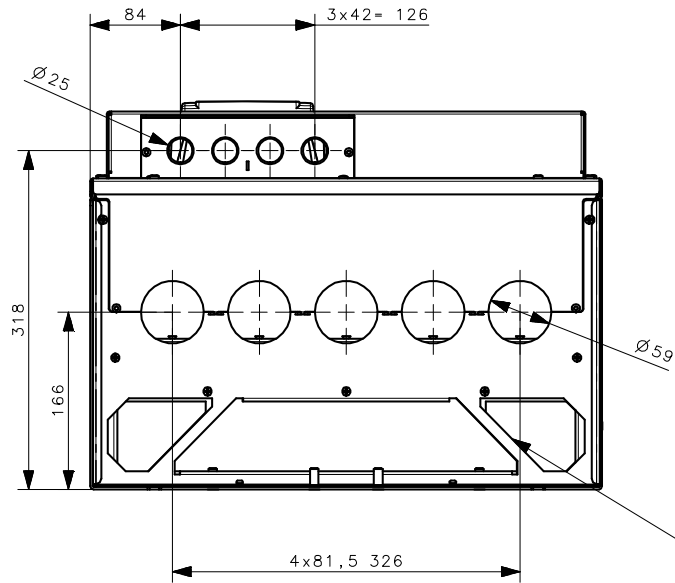


◎Critical Characteristics
 ▽Key Characteristics
 ○Inspection Characteristics
 ⊗Measured when requested

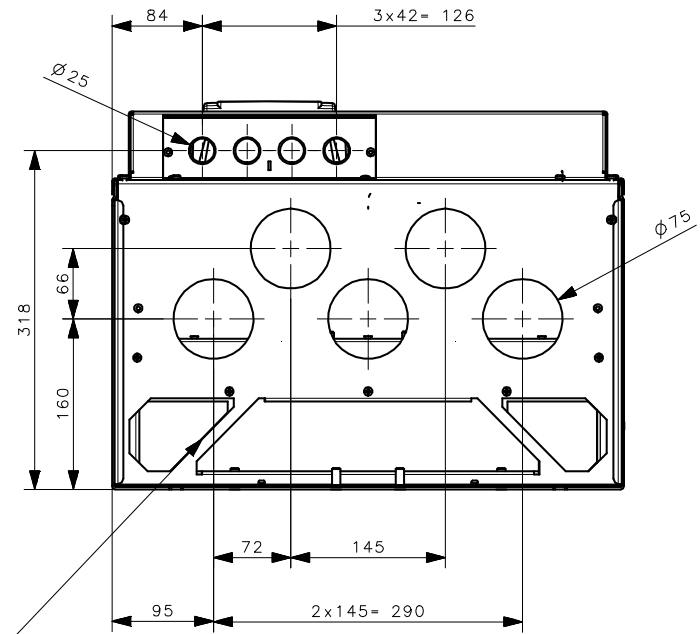
Must Comply to RoHS Directive 2011/65/EU and 2015/863/EU

All dimensions are in Millimeters Unspecified tolerance according to:		Projection	Scale	Size	Material:		
			1:6	A3			
					Finish:		
					Designation / Name		
					MR9_Dimension_drawing_IP21/54		
Replace					Drawing Number		
Designer	P. Kinnari 24.5.2009				70CMC00191	REV	D
Modifier	Sugan 15.4.2020				Model	Sheet	1 of 3
Confidential: Property of Danfoss and its subsidiaries. Not to be copied, handed over to or used by third party. Two- or three dimensional reproduction of content to be authorized by Danfoss Drives A/S							

Metric Openings



UL Openings

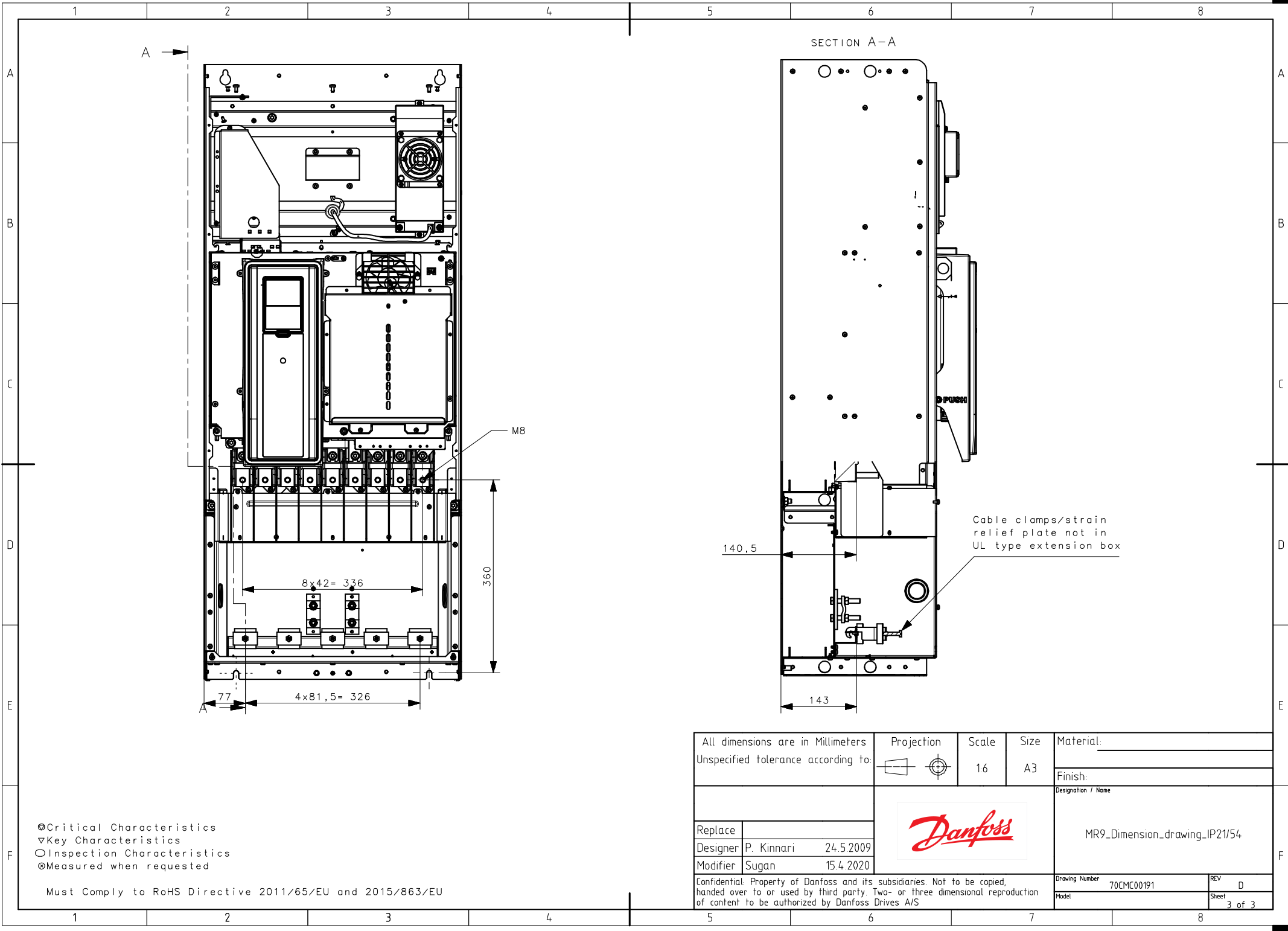


D

- ⊙ Critical Characteristics
- ▽ Key Characteristics
- Inspection Characteristics
- ⊗ Measured when requested

Must Comply to RoHS Directive 2011/65/EU and 2015/863/EU

All dimensions are in Millimeters Unspecified tolerance according to:		Projection 	Scale 1:1	Size A3	Material:
					Finish:
					Designation / Name MR9_Dimension_drawing_IP21/54
Replace					
Designer	P. Kinnari 24.5.2009				
Modifier	Sugan 15.4.2020				
Confidential: Property of Danfoss and its subsidiaries. Not to be copied, handed over to or used by third party. Two- or three dimensional reproduction of content to be authorized by Danfoss Drives A/S				Drawing Number 70CMC00191	REV D
				Model	Sheet 2 of 3



SECTION A-A

M8

Cable clamps/strain relief plate not in UL type extension box

- ⊙ Critical Characteristics
- ▽ Key Characteristics
- Inspection Characteristics
- ⊗ Measured when requested

Must Comply to RoHS Directive 2011/65/EU and 2015/863/EU

All dimensions are in Millimeters Unspecified tolerance according to:		Projection 	Scale 1:6	Size A3	Material:		
					Finish:		
					Designation / Name MR9_Dimension_drawing_IP21/54		
Replace					Drawing Number 70CMC00191		
Designer	P. Kinnari 24.5.2009				REV D		
Modifier	Sugan 15.4.2020				Sheet 3 of 3		
Confidential: Property of Danfoss and its subsidiaries. Not to be copied, handed over to or used by third party. Two- or three dimensional reproduction of content to be authorized by Danfoss Drives A/S							