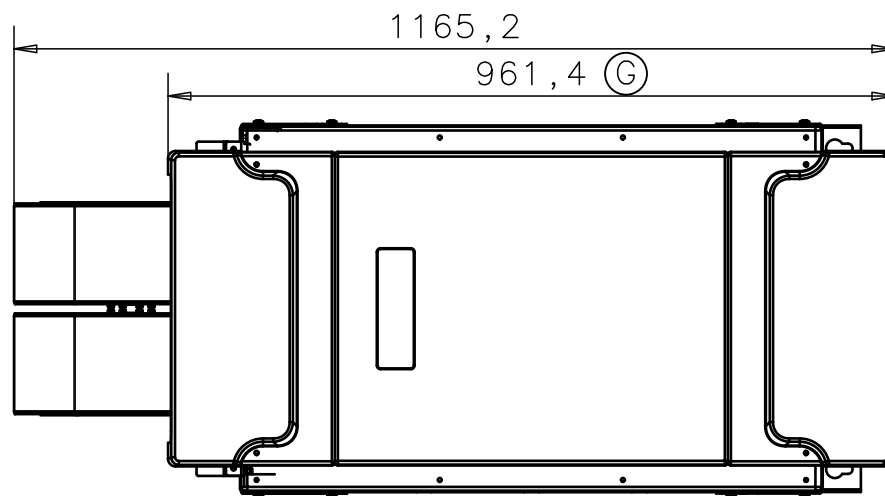
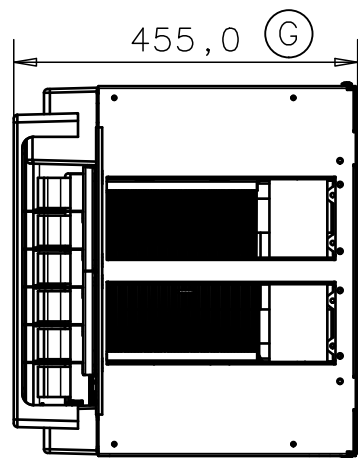
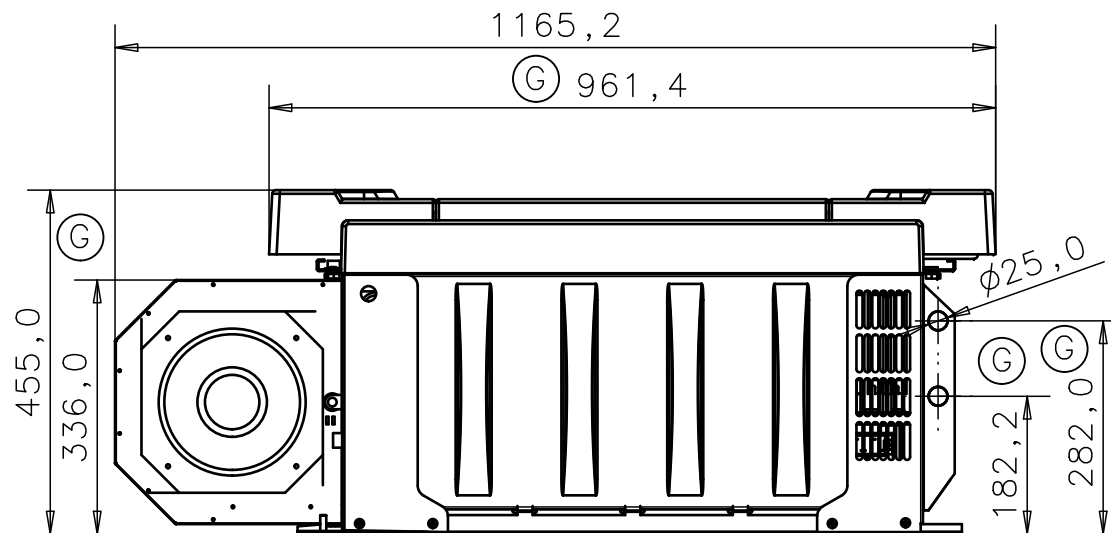
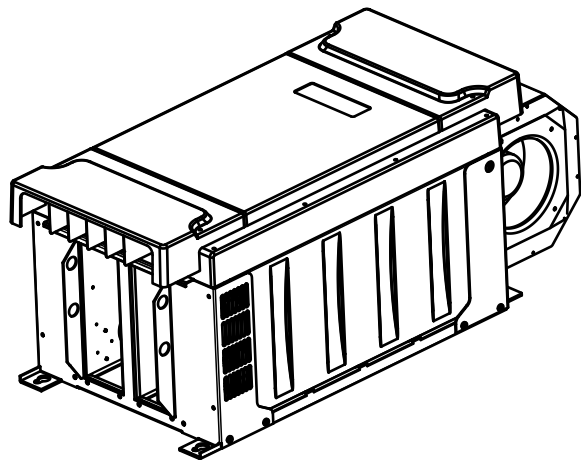


VACON OYj  
 Runsorintie 7 Tel.: +358 (0)201 2121  
 P.O. Box 25 Fax.: +358 (0)201 212207  
 65381 VAASA

DRAWN 5.3.2004 J.Aspimaa  
 APPROVED  
 SCALE 1:10 PROJ

NOTE FR10  
 NAME Dimensioning drawing

FILE SHEET 1/2  
 DRAWING NO. FR10900 REVISION G



VACON OYj

Runsorintie 7 Tel.: +358 (0)201 2121  
 P.O. Box 25 Fax.: +358 (0)201 212207  
 65381 VAASA

DRAWN 5.3.2004 J.Aspimaa

APPROVED

SCALE 1:10

PROJ



NOTE FR10

NAME

Dimensioning drawing

FILE

DRAWING NO

FR10900

SHEET

2/2

REVISION

G