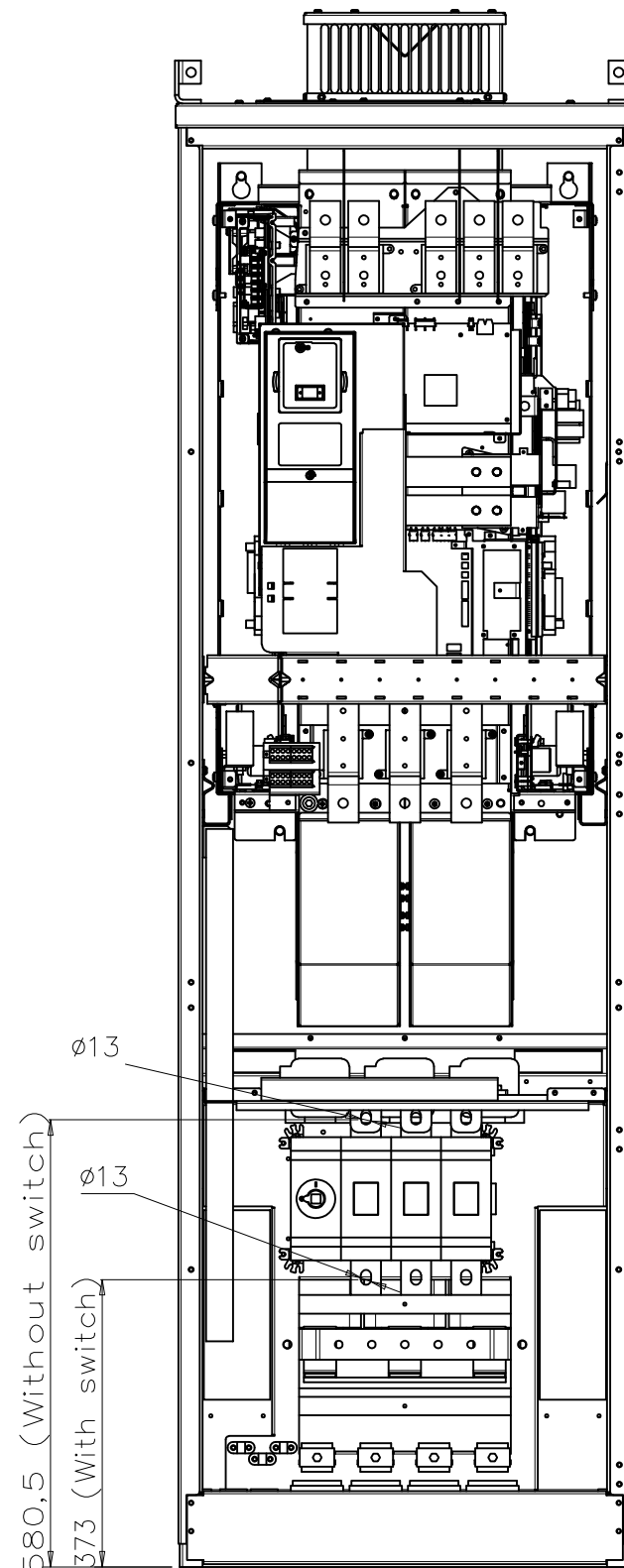
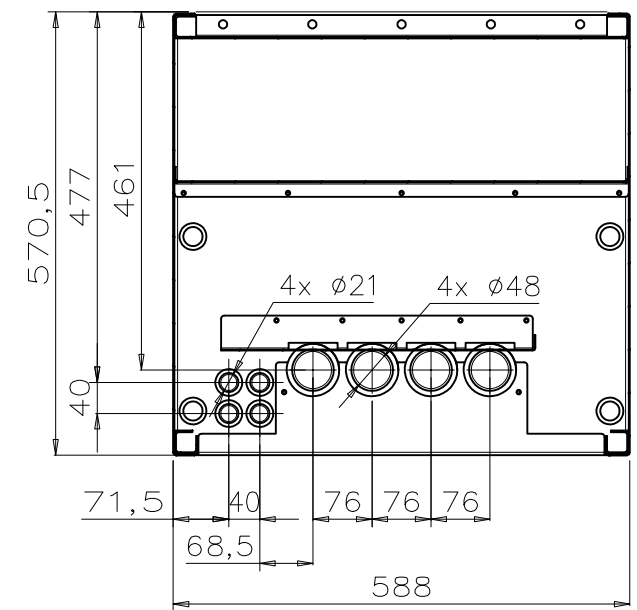


Switch: OT400U03



Switch: OT630E03



Section A-A, Cable entries

C) Terminal block support added and assembly updated. 20.9.2007/SHu

<b>VACON OYj</b> Runsorintie 7 Tel.: +358 (0)201 2121 P.O. Box 25 Fax.: +358 (0)201 212207 65381 VAASA	DRAWN 18.08.2006 Enmac/FST	NOTE FR10 Stand Alone	FILE	SHEET 1/1
	APPROVED	NAME Internal cabling dimensions FR10 IP21	DRAWING NO FR10640	REVISION C
SCALE	PROJ			