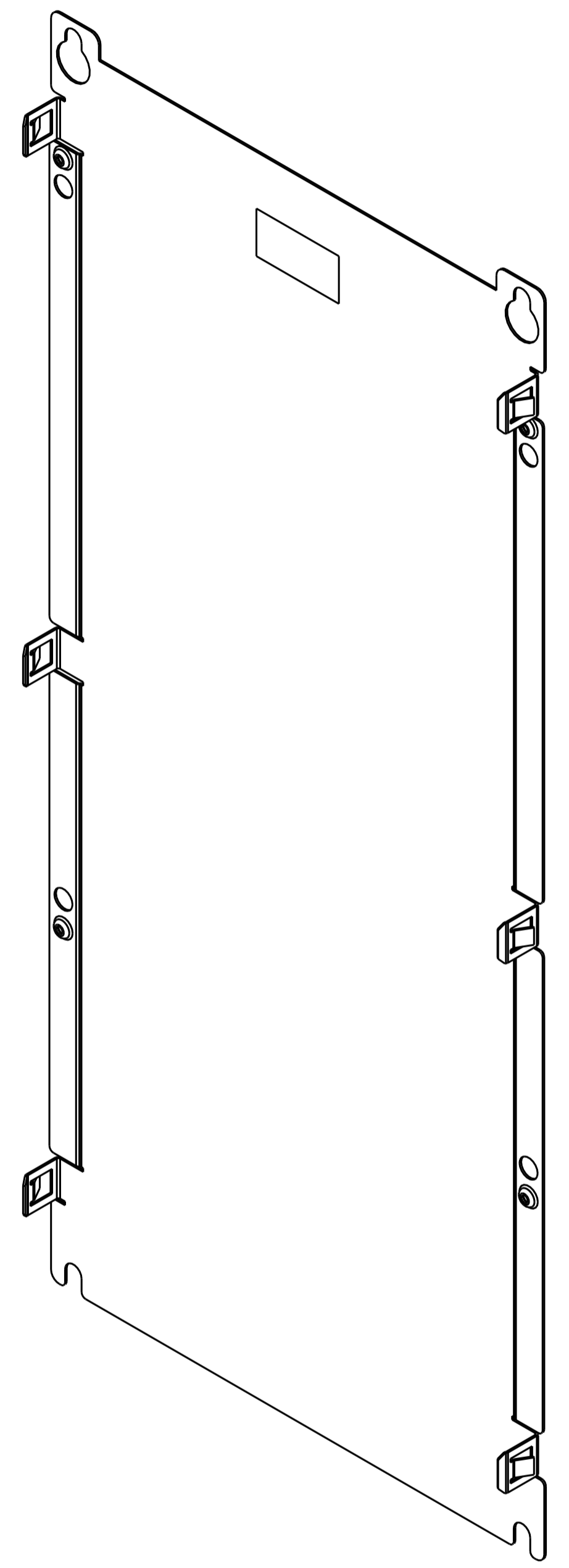
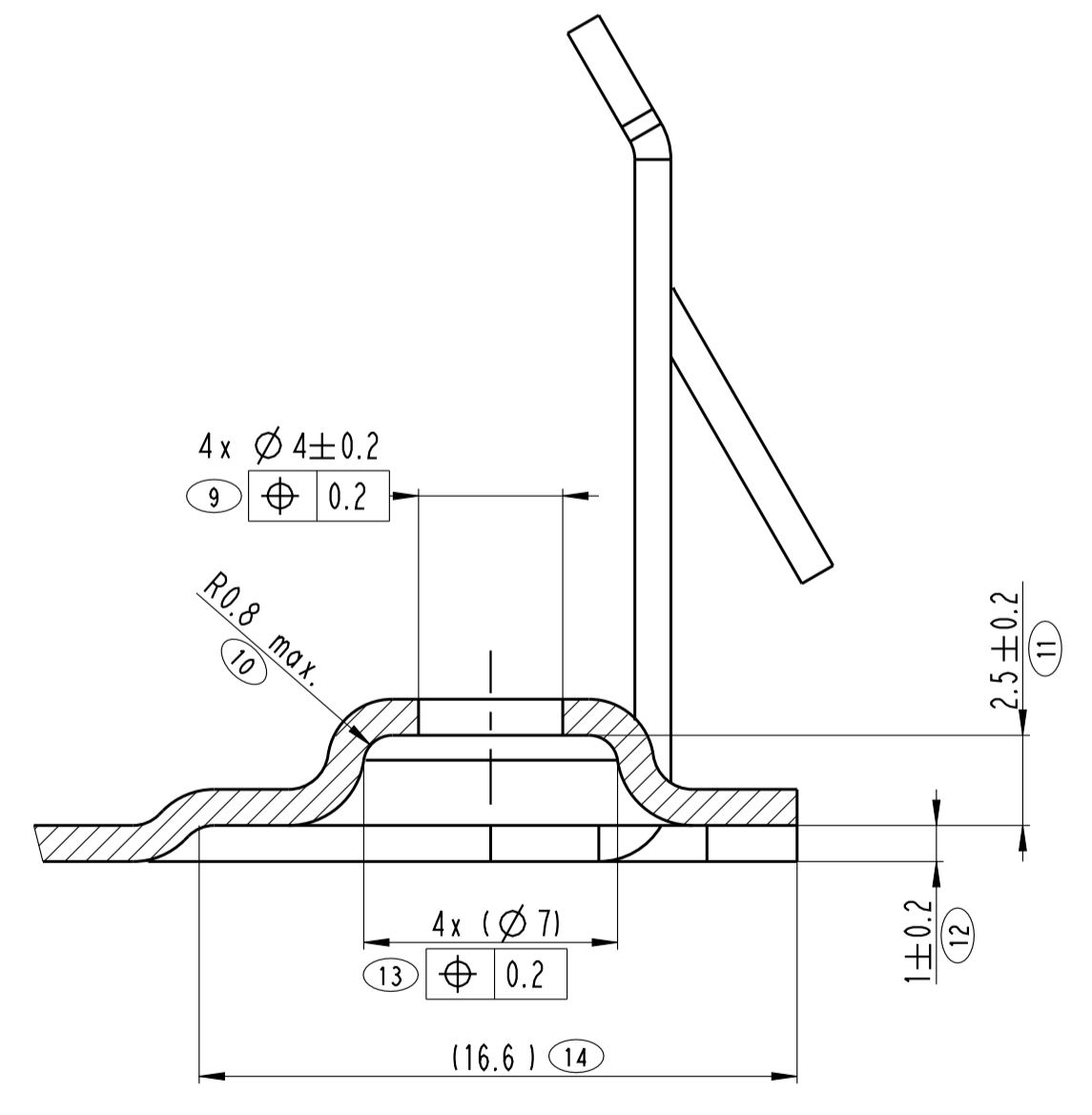
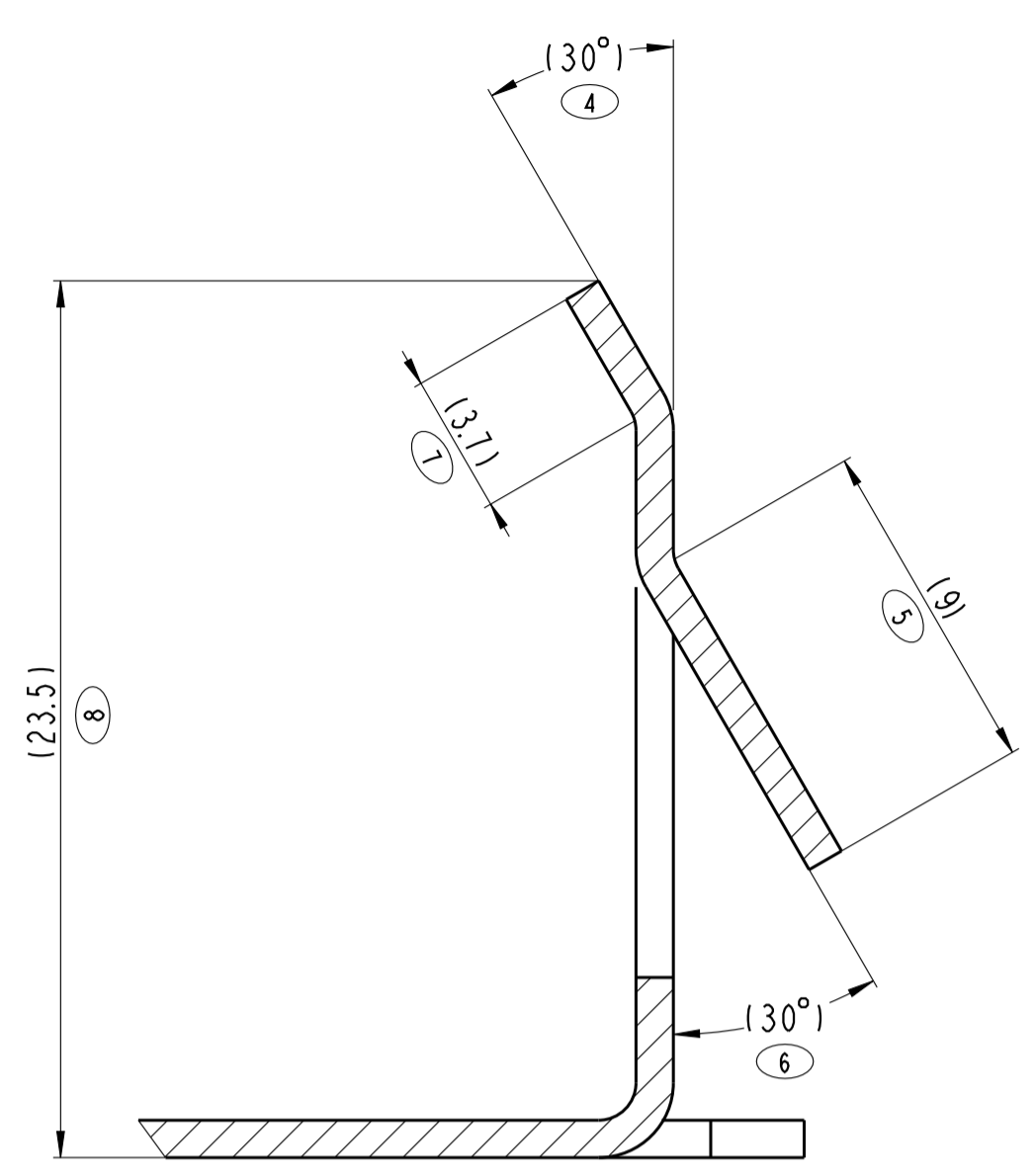
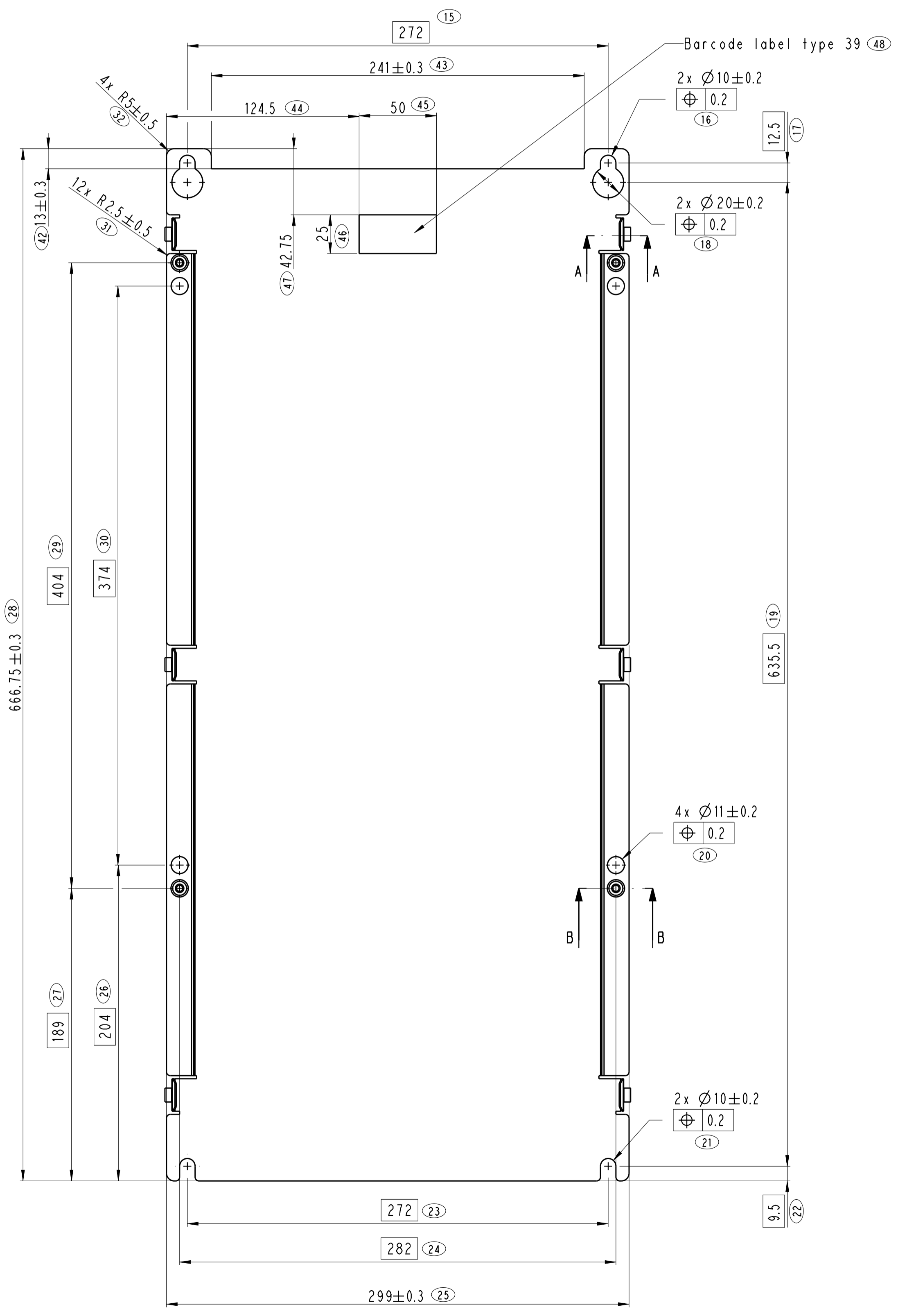
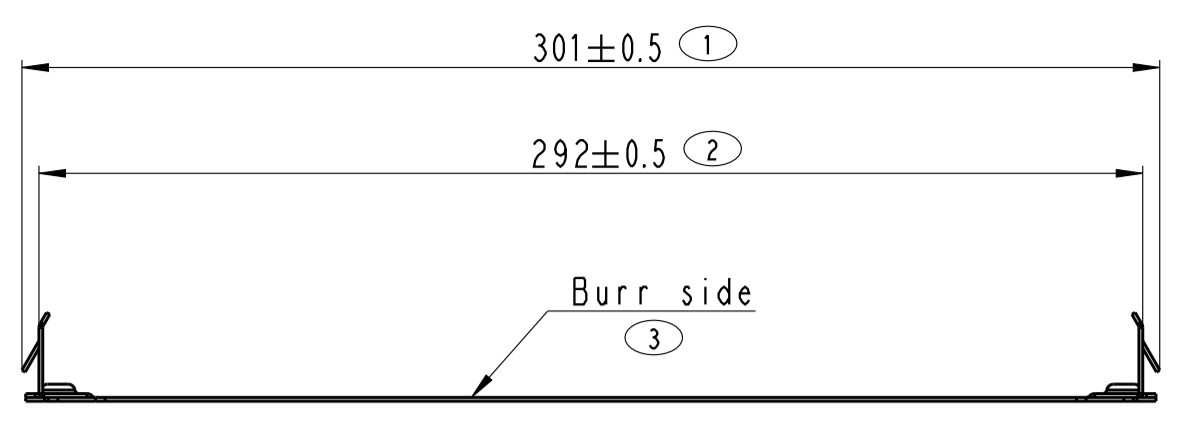


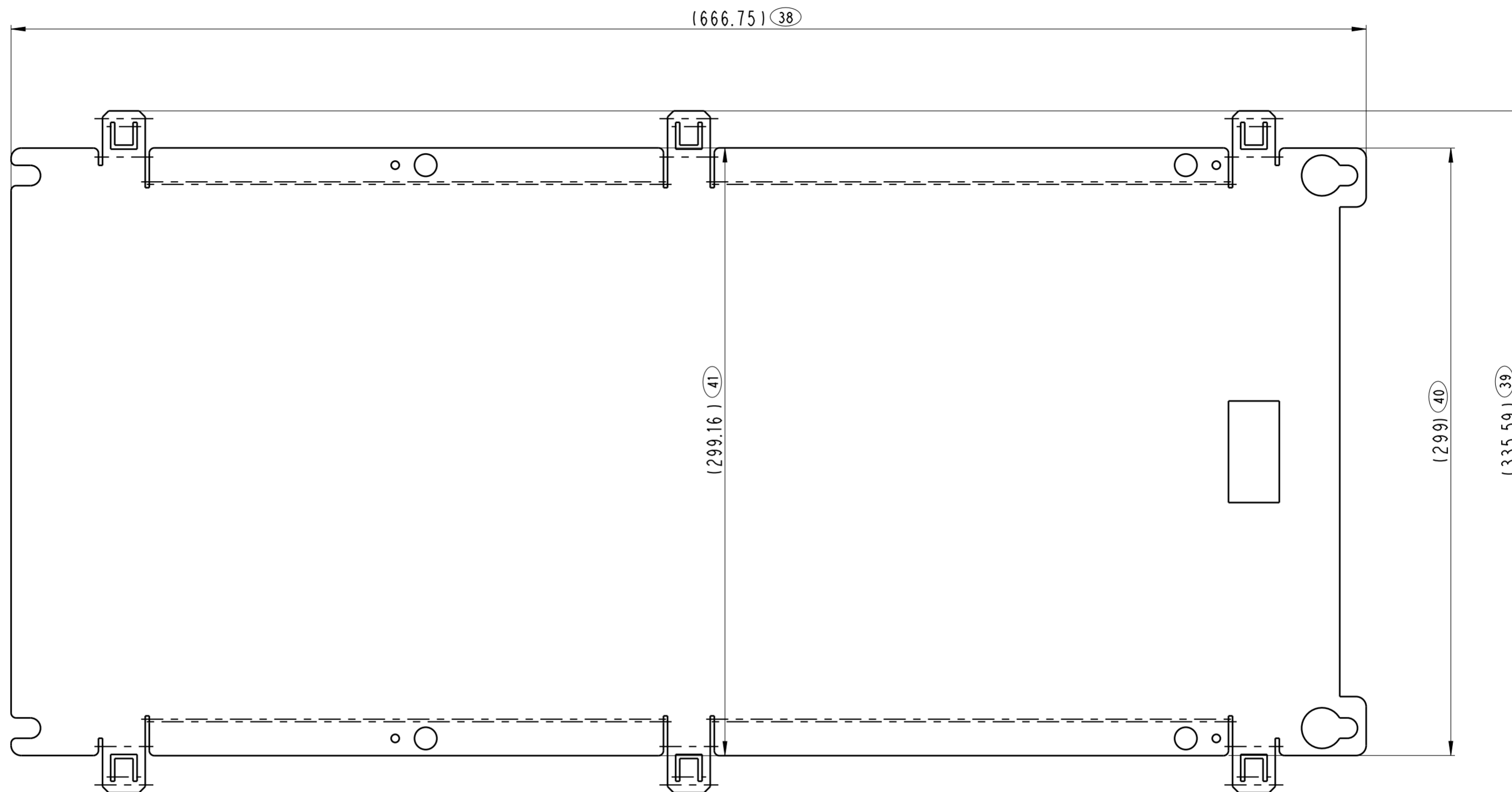
±0.2
33

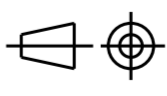



- 34 Bending radius R = 1
- 35 Not specified dimensions according to unfolded part
- 36 Part must be washed and degreased
- 37 Material specification: 1.0 mm Sheet EN 10327-DX51D+AZ150-N-A-C

Projection 	Scale / Paper size 1:2 / A1		Matr./Spec. See note
Last revised by Shan Zhao			Date 2010.05.20
Confidential: Property of Danfoss Drives A/S. Not to be handed over to, copied or used by third party. Two- or three dimensional reproduction of contents to be authorized by Danfoss Drives A/S.		DANFOSS DRIVES A/S	Designation Backplate C1
PDM controlled drawing. - Hard copy not valid without frozen date in ID stamp.		Part no. 130B3910	Sk. 1 of 2
		Rev. 004	

Model: 130B3910.PART



Projection 	Scale / Paper size 1:2 / A2	 DANFOSS DRIVES A/S	Matr./Spec. Danfoss standard
Last revised by T.Brokholm	Date 2006.08.28		Designation Backplate C1
Confidential: Property of Danfoss Drives A/S. Not to be handed over to, copied or used by third party. Two- or three dimensional reproduction of contents to be authorized by Danfoss Drives A/S.			Part no. 130B3910
PDM controlled drawing. - Hard copy not valid without frozen date in ID stamp.			Sh. 2 of 2
			Rev. 004

Model: 130B3910.PART