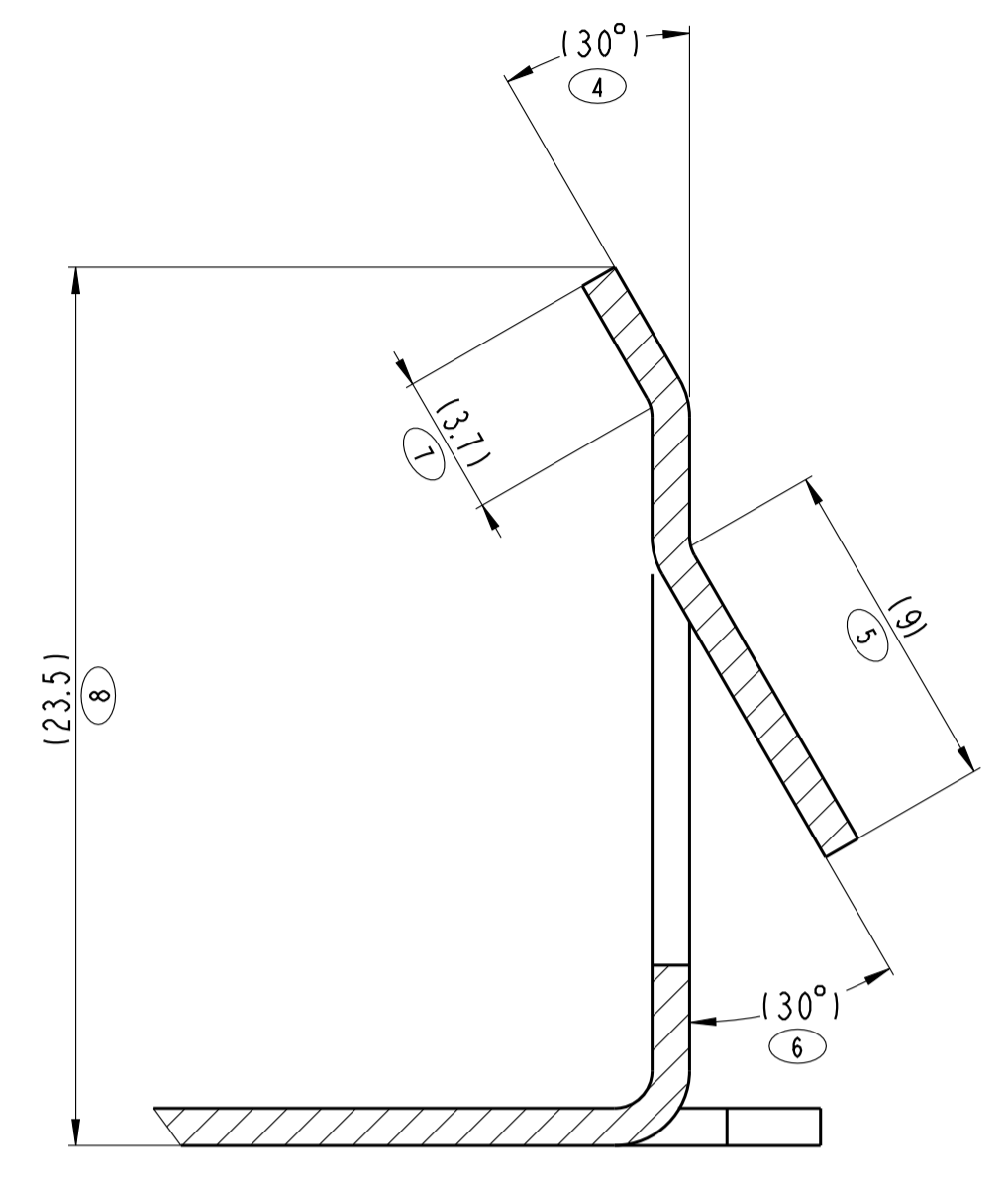
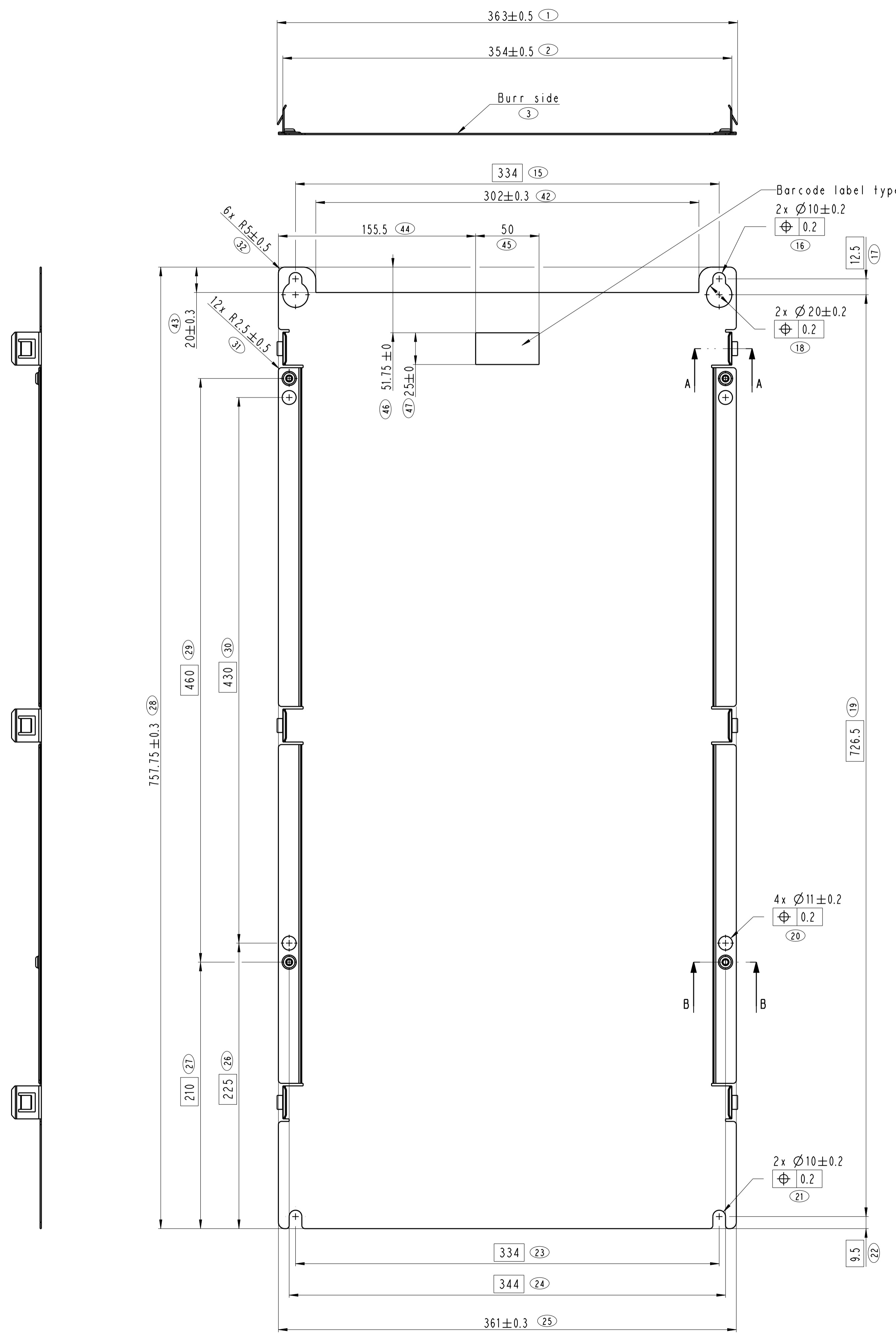
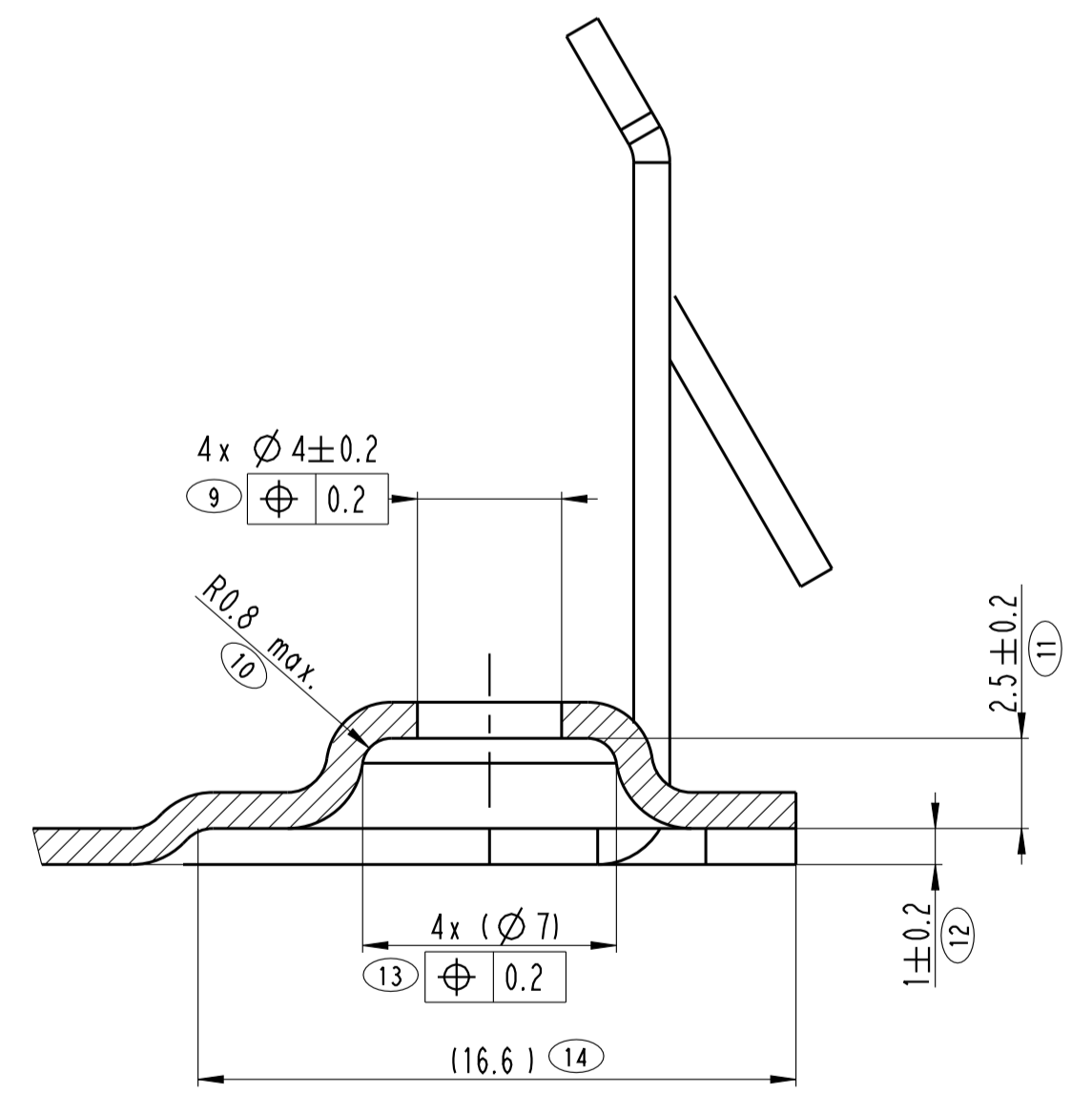


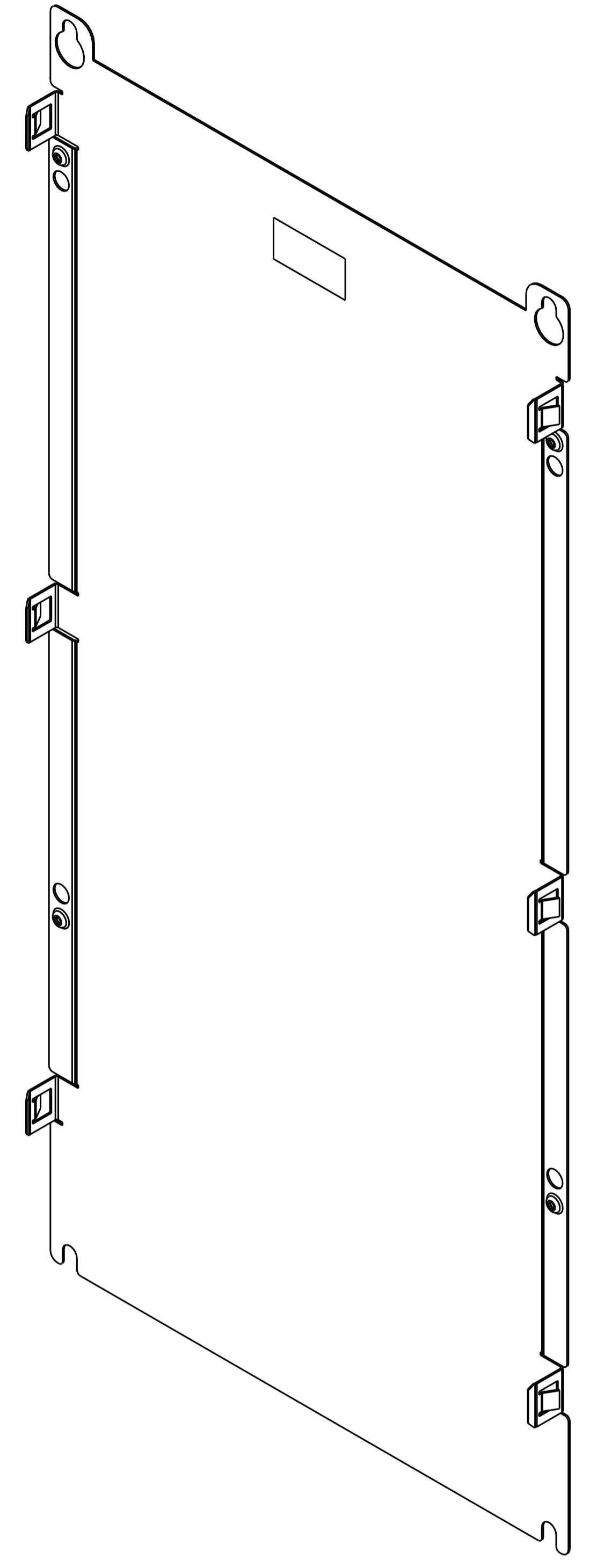
±0.2
33



SECTION A-A
SCALE 5:1



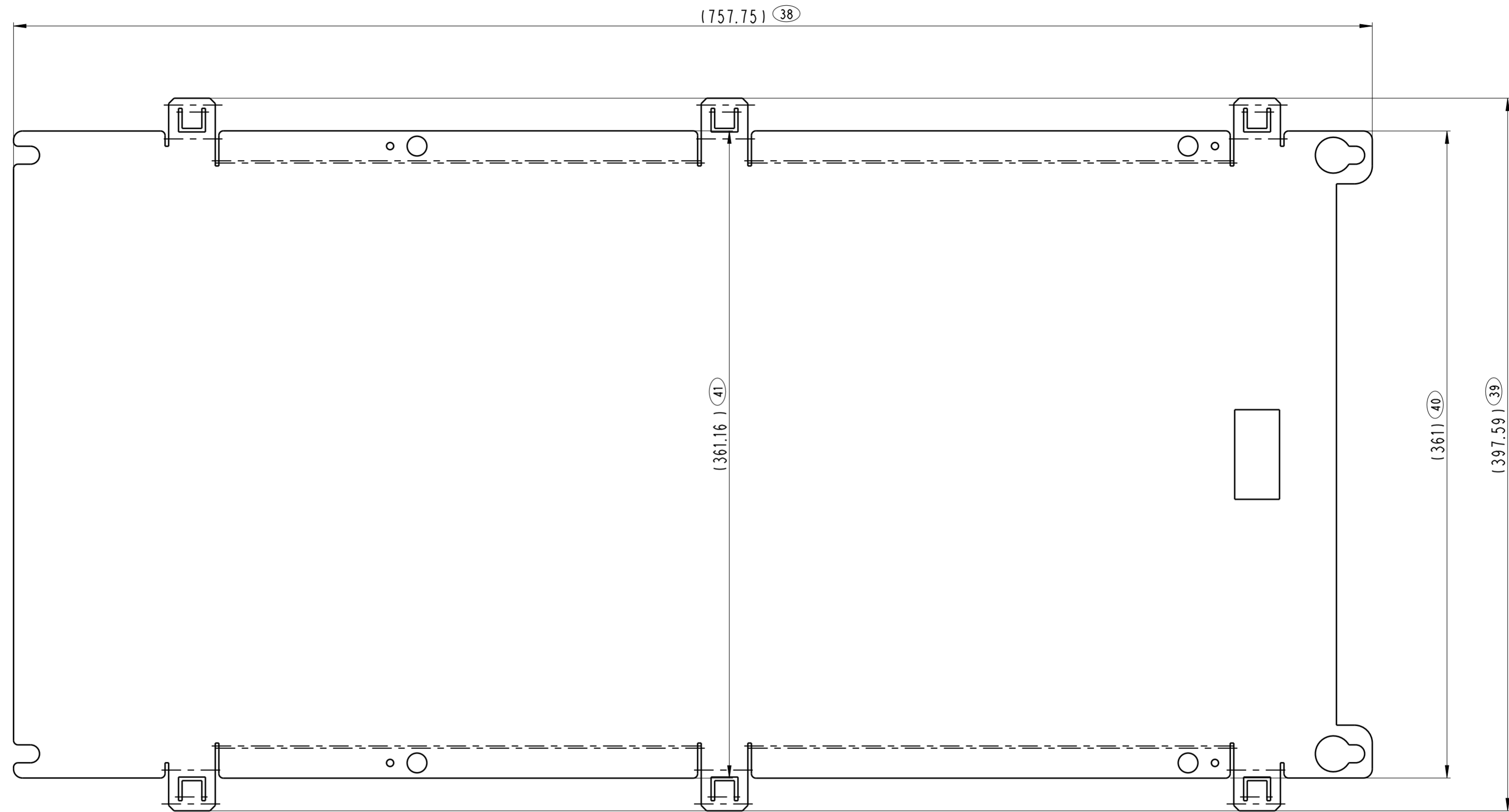
SECTION B-B
SCALE 5:1



- 34 Bending radius R = 1
- 35 Not specified dimensions according to unfolded part
- 36 Part must be washed and degreased
- 37 Material specification: 1.0 mm Sheet EN10215-DX51D+AZ150-A-C

Projection 1:2 / A1	Scale / Paper size 1:2 / A1		Matr./Spec. See note
Last revised by Shan Zhao Date 2010.05.20			Danfoss standard Designation Backplate C2
Confidential: Property of Danfoss Drives A/S. Not to be handed over to, copied or used by third party. Two- or three dimensional reproduction of contents to be authorized by Danfoss Drives A/S.			Part no. 130B3911 Sk. 1 of 2
PDM controlled drawing. - Hard copy not valid without frozen date in ID stamp.			Rev. 005

Model: 130B3911.PART



		Scale / Paper size 1:2 / A2		Matr./Spec. Danfoss standard	
Last revised by P. Holst	Date 2006.01.03	DANFOSS DRIVES A/S		Designation Backplate C2	
Confidential: Property of Danfoss Drives A/S. Not to be handed over to, copied or used by third party. Two- or three dimensional reproduction of contents to be authorized by Danfoss Drives A/S.			Part no. 130B3911	Sh. 2 of 2	
PDM controlled drawing. - Hard copy not valid without frozen date in ID stamp.			Rev. 005		

Model: 130B3911.PART