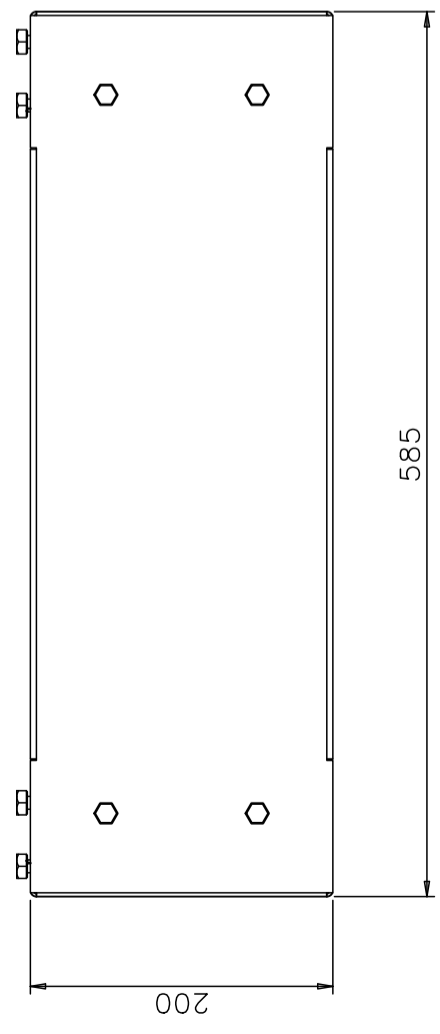
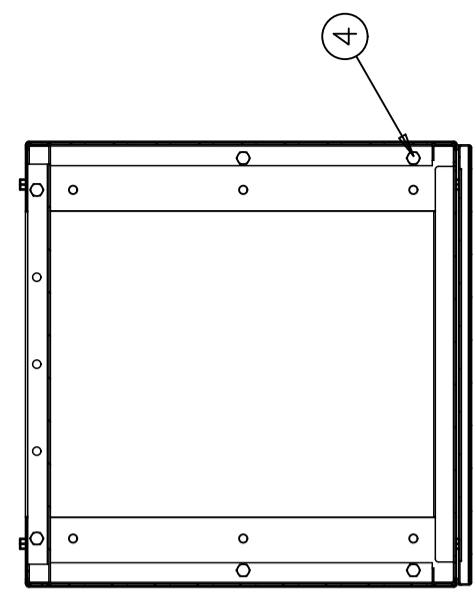
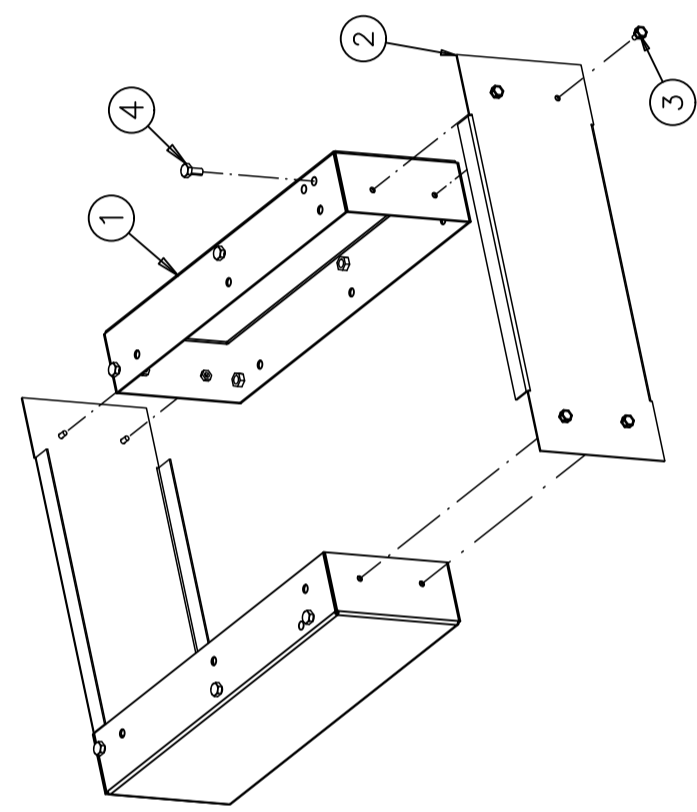
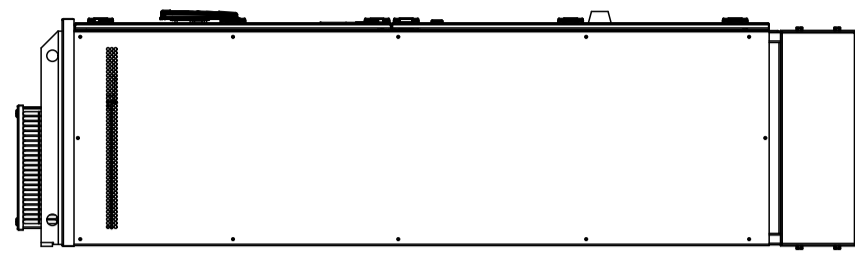
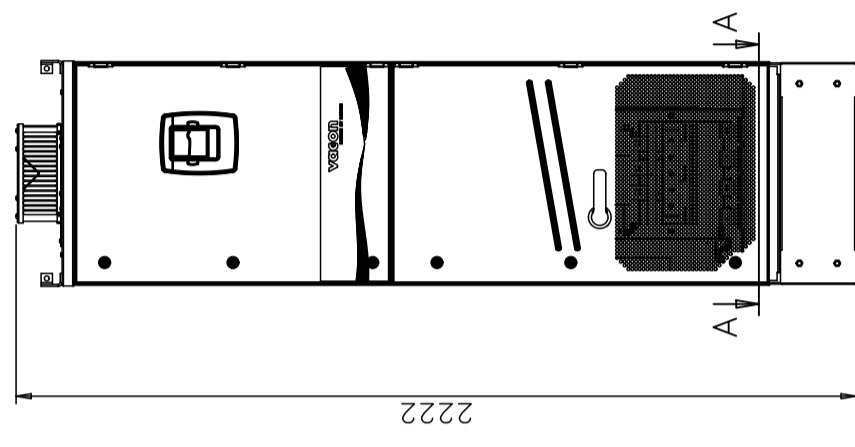


- Floor fixation use 6xØ11.
- Cabinet fixation use 6xM10 (part 4).



4	6	M10x20 DIN933	Hexagon screw	0.0
3	8	M6x12 DIN931	Hexagon screw	0.0
2	2	FR10679	Platform sole front	2.1
1	2	FR10678	Platform sole side	3.9
ItemQty		Part #	Name	Mass

DRAWN		19.10.2007	Emmac/SHu	NOTE	FR10 Stand alone	FILE	1/1	SHEET	1/1
APPROVED				NAME	Platform Sole	DRAWING NO	FR10680	REVISION	A
VACON OY J		Runsorintie 7 Tel.: +358 (0)201 2121		P.O. Box 25 Fax.: +358 (0)201 212207		65381 VAASA		SCALE 1:5 PROJ	