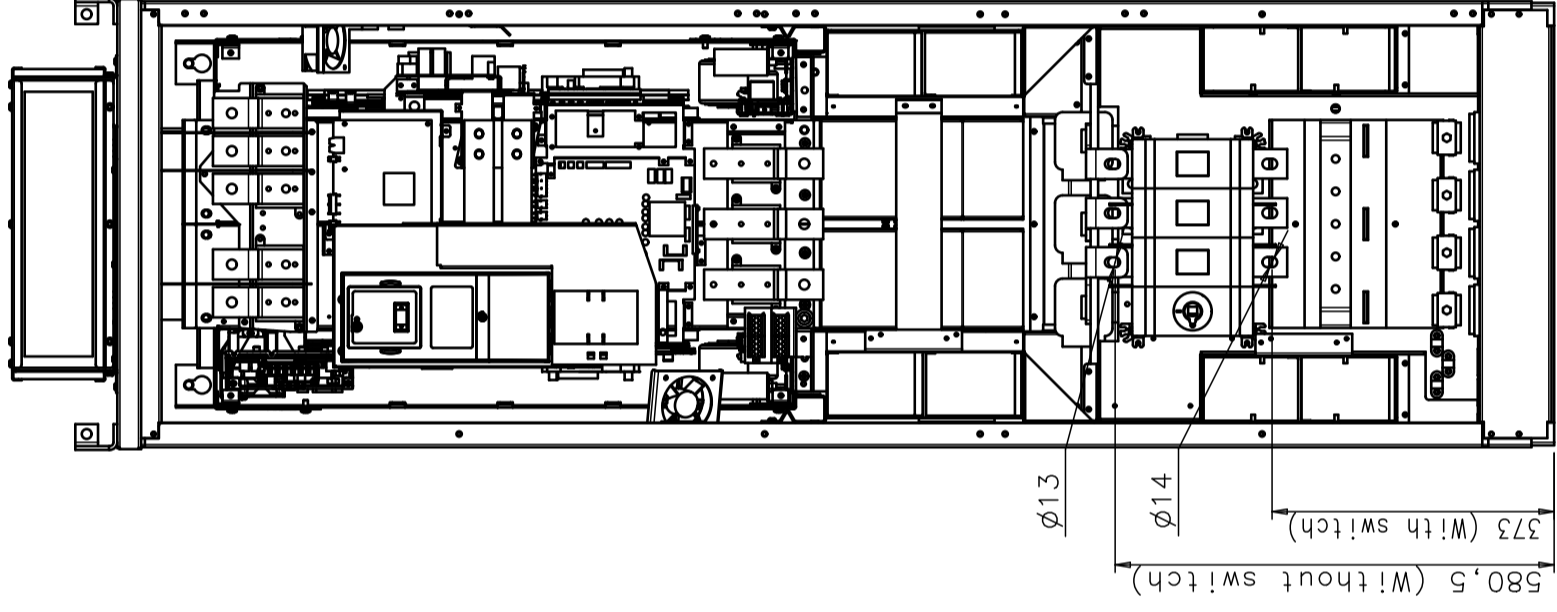
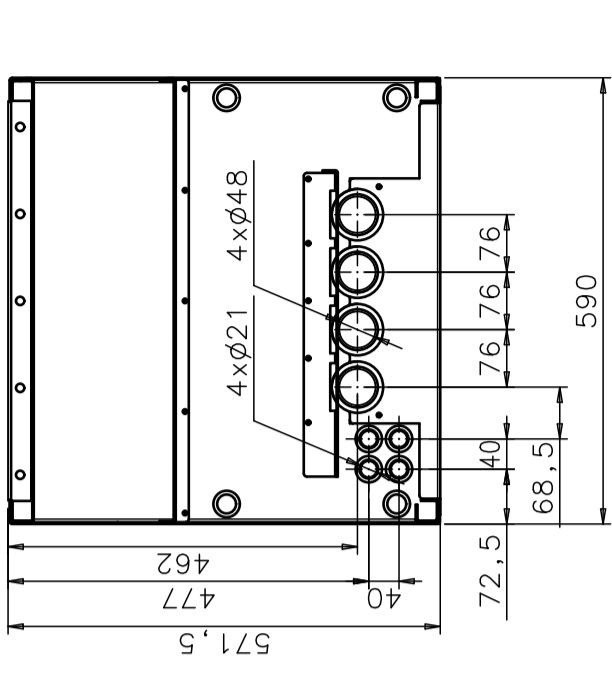


Switch: OT400U03



Switch: OT630E03



Section A-A, Cable entries

B) Switches changed. 9.3.2007/SHU

VACON OYJ Runsorintie 7 Tel.: +358 (0)201 2121 P.O. Box 25 Fax.: +358 (0)201 212207 65381 VAASA	DRAWN 21.08.2006 Enmac/FST	NOTE FR10 Stand Alone	FILE DRAWING NO FR10638	SHEET 1/1
APPROVED	NAME Internal cabling dimensions	REVISION B		
SCALE	PROJ FR10 IP54			