

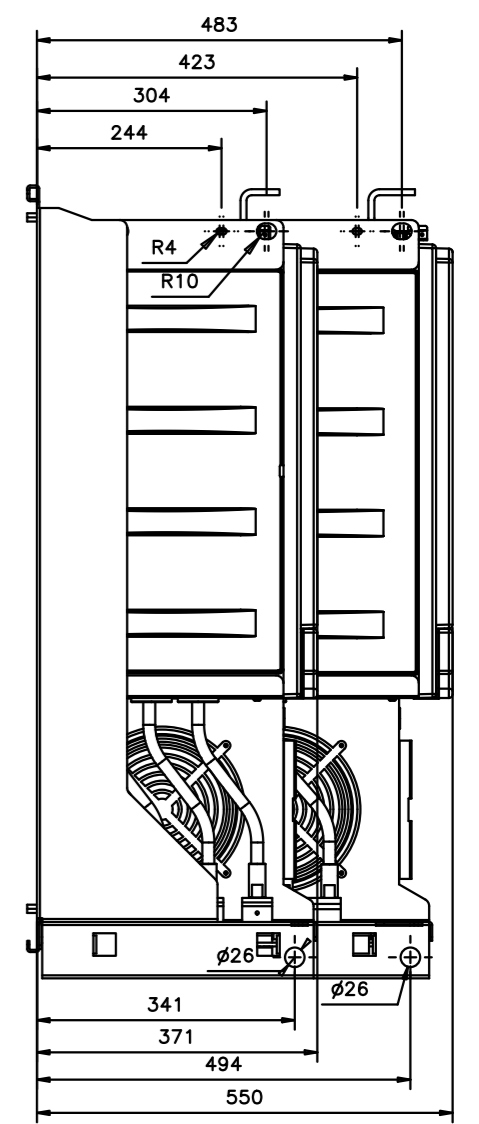
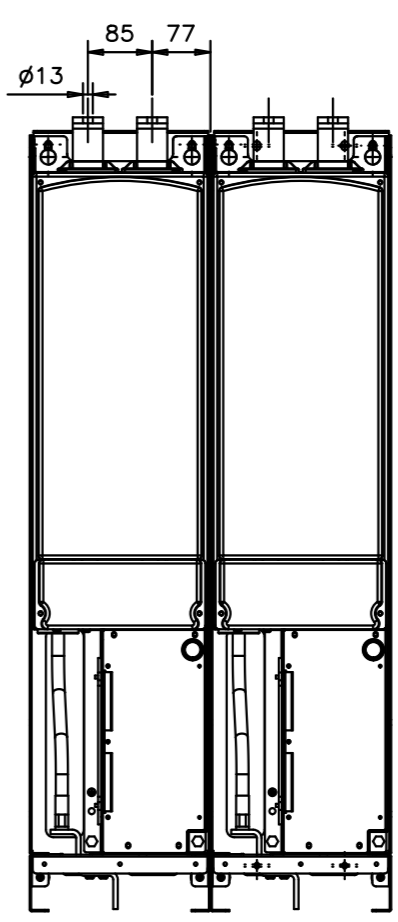
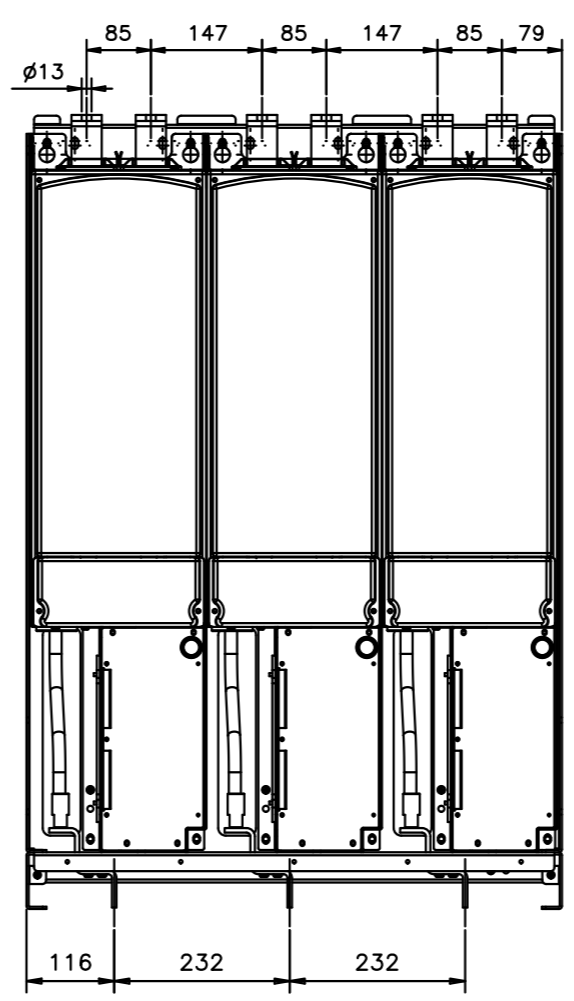
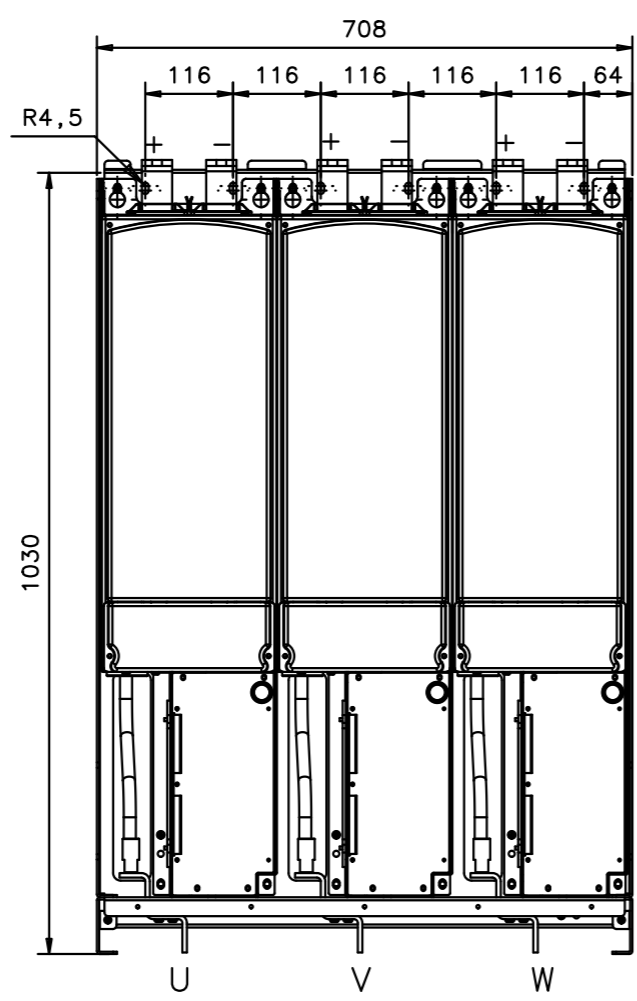
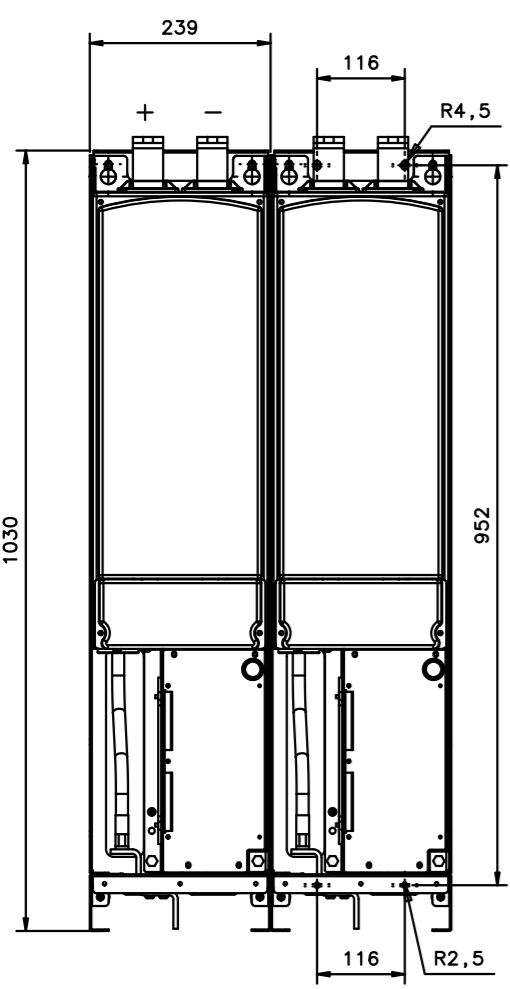
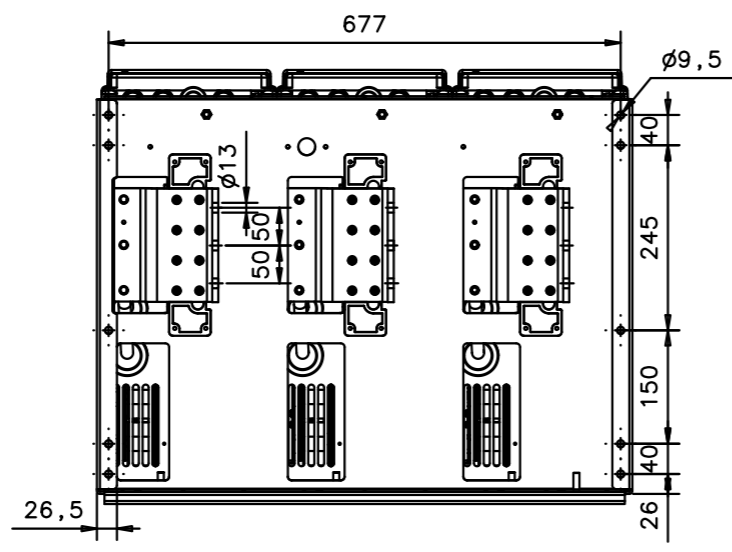
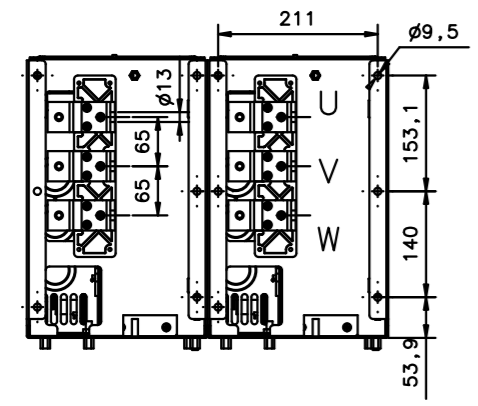
© Reproduction, use or disclosure to third party forbidden. All rights reserved.

REV1
REV2
REV3
REV4
REV5
REV6

NXN (F19) Modules: 2+2 pcs
INU (F113) Modules: 2 pcs

500V / 2150A
690V / 2250A

For more detailed dimensions see drawings
F109900 & F113901



VAGON

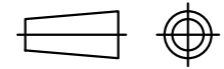
Material:
Finishing:

Product: FR14
Name: Dimensional drawing
Add. Info 1: Mass: NXN (F19) 67kg/drive
Add. Info 2: INU (F113) 302kg/drive

Designer/Date: S.Risku / 04.04.2012
Approved/Date: A.Nurmikoski

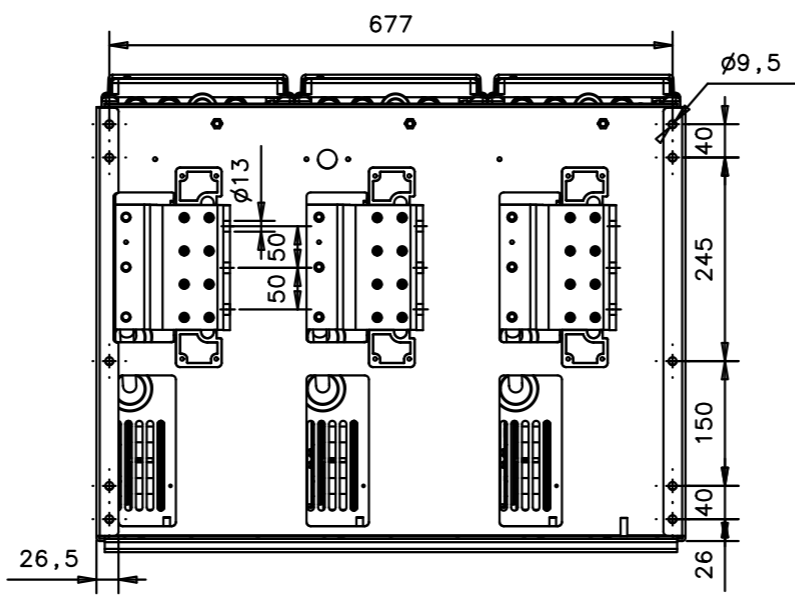
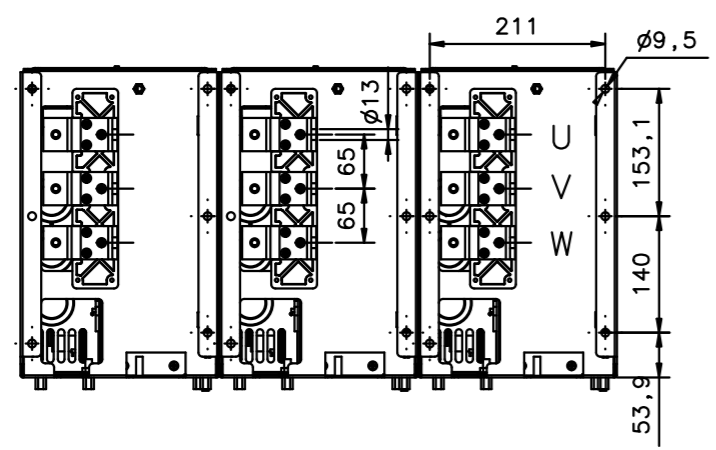
Gen.Tol:
Scale:
Doc. no.
TED05454

Sheet: A3
Page: 1/2
Revision
A



© Reproduction, use or disclosure to third party forbidden. All rights reserved.

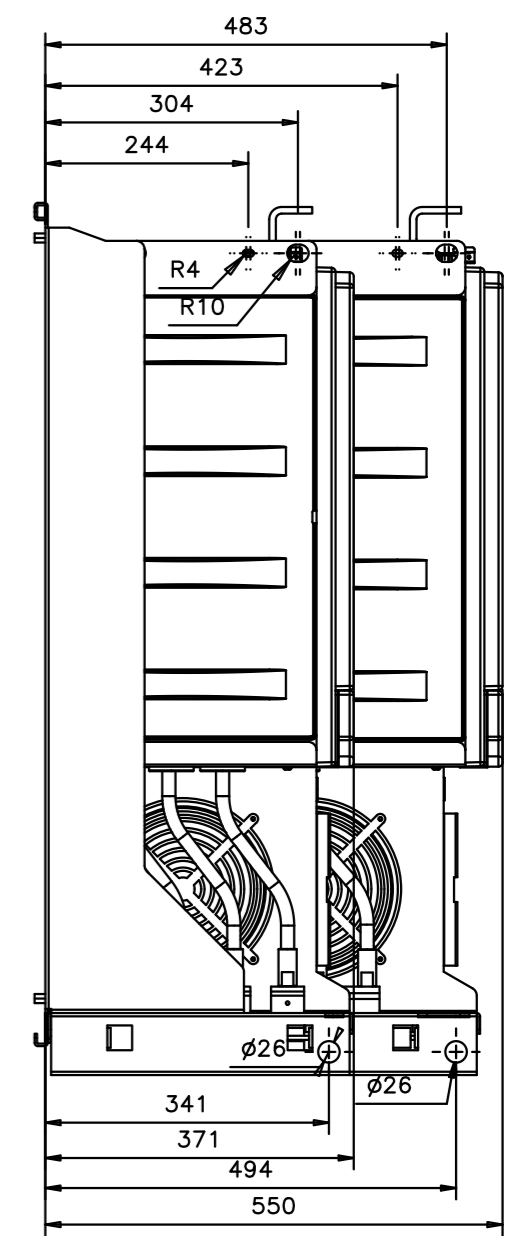
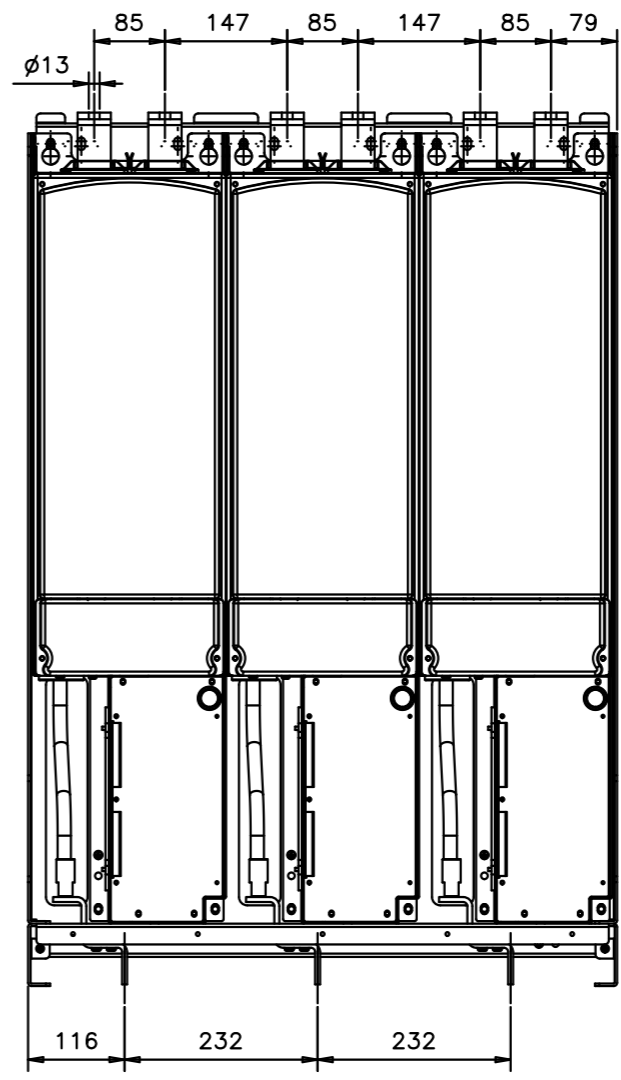
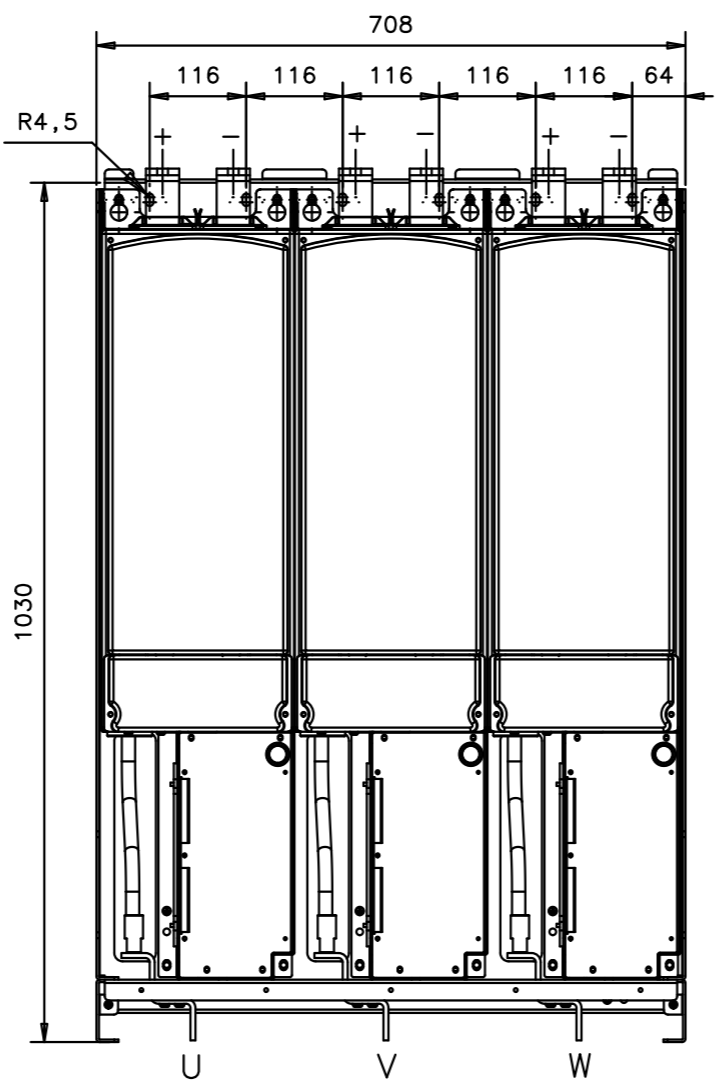
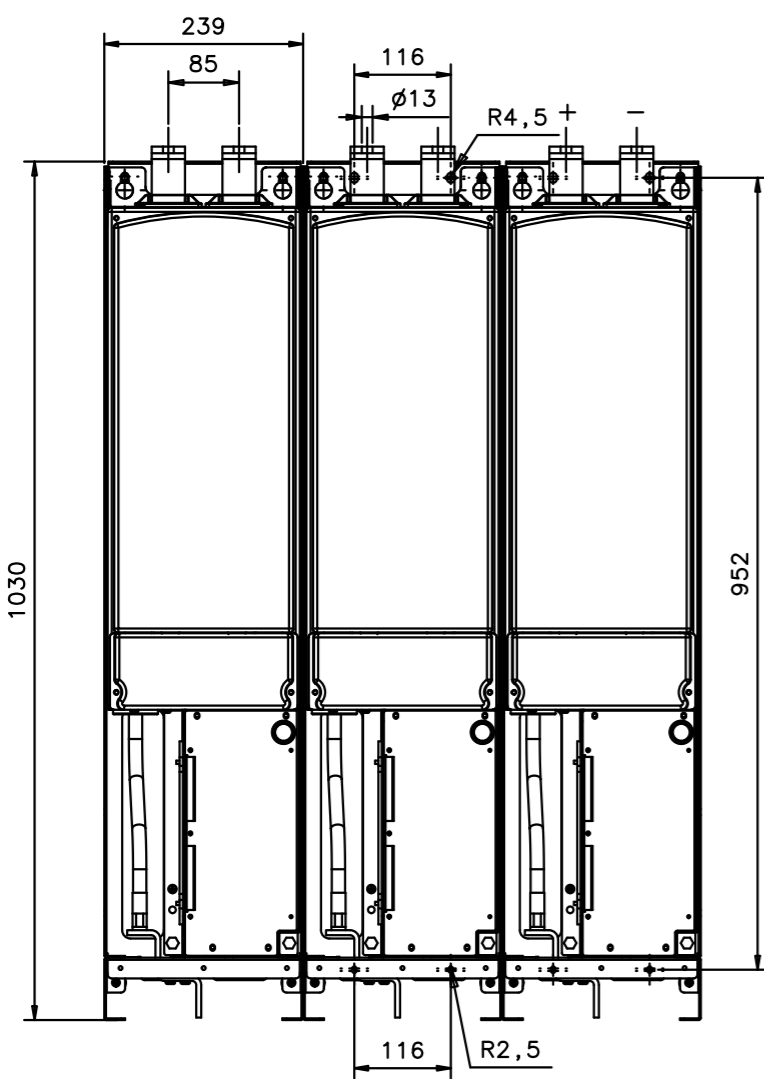
REV1
REV2
REV3
REV4
REV5
REV6



NXN (F19) Modules: 3 pcs
INU (F113) Modules: 2 pcs

690V / 1500A

For more detailed dimensions see drawings F109900 & F113901



VAGON

Material:
Finishing:

Product: FR14
Name: Dimensional drawing
Add. Info 1: Mass: NXN (F19) 67kg/drive
Add. Info 2: INU (F113) 302kg/drive

Designer/Date: S.Risku / 04.04.2012
Approved/Date: A.Nurmikoski

Gen.Tol:
Scale:
Doc. no. TED05454

Sheet: A3
Page: 2/2
Revision A

