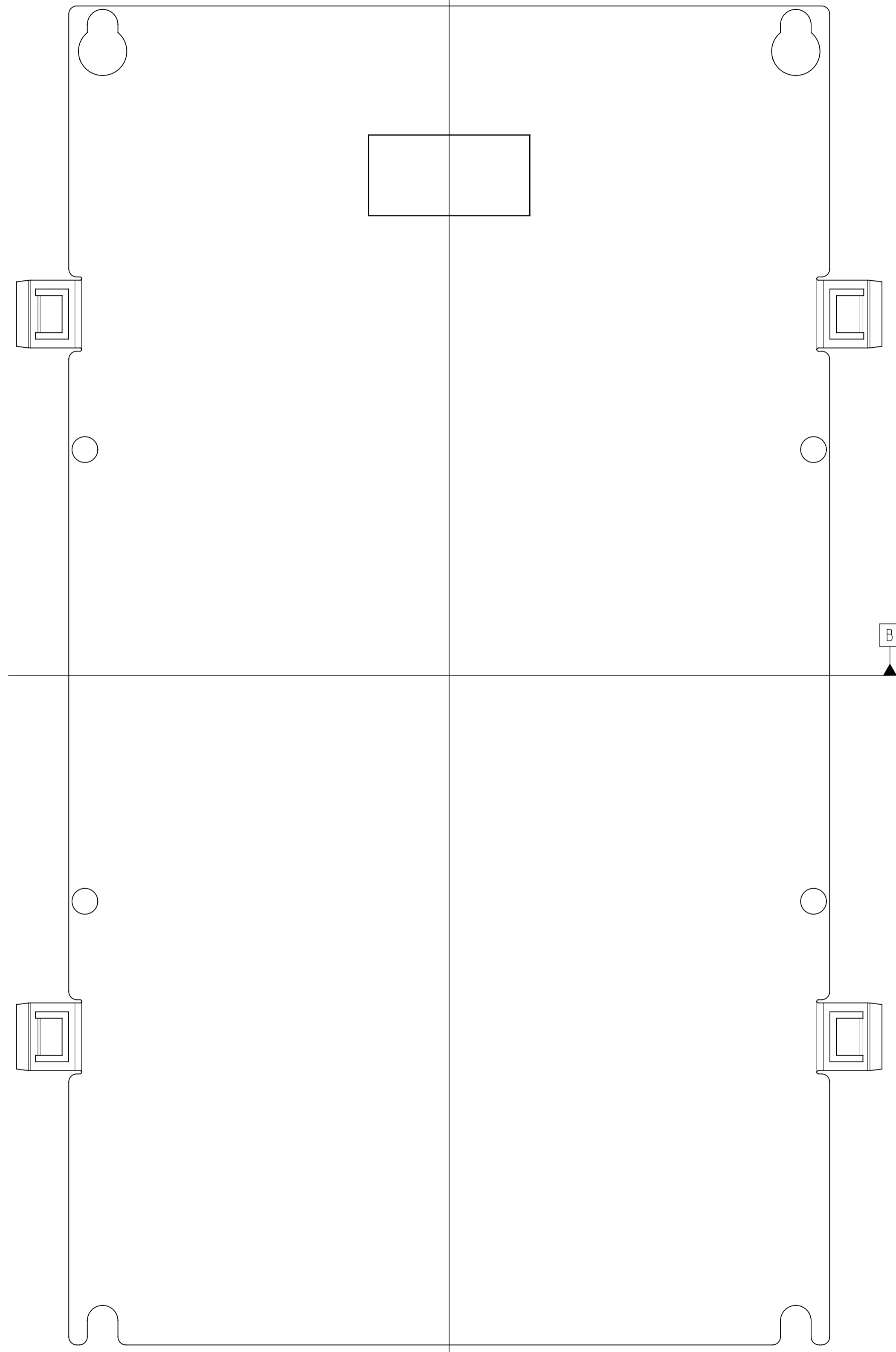
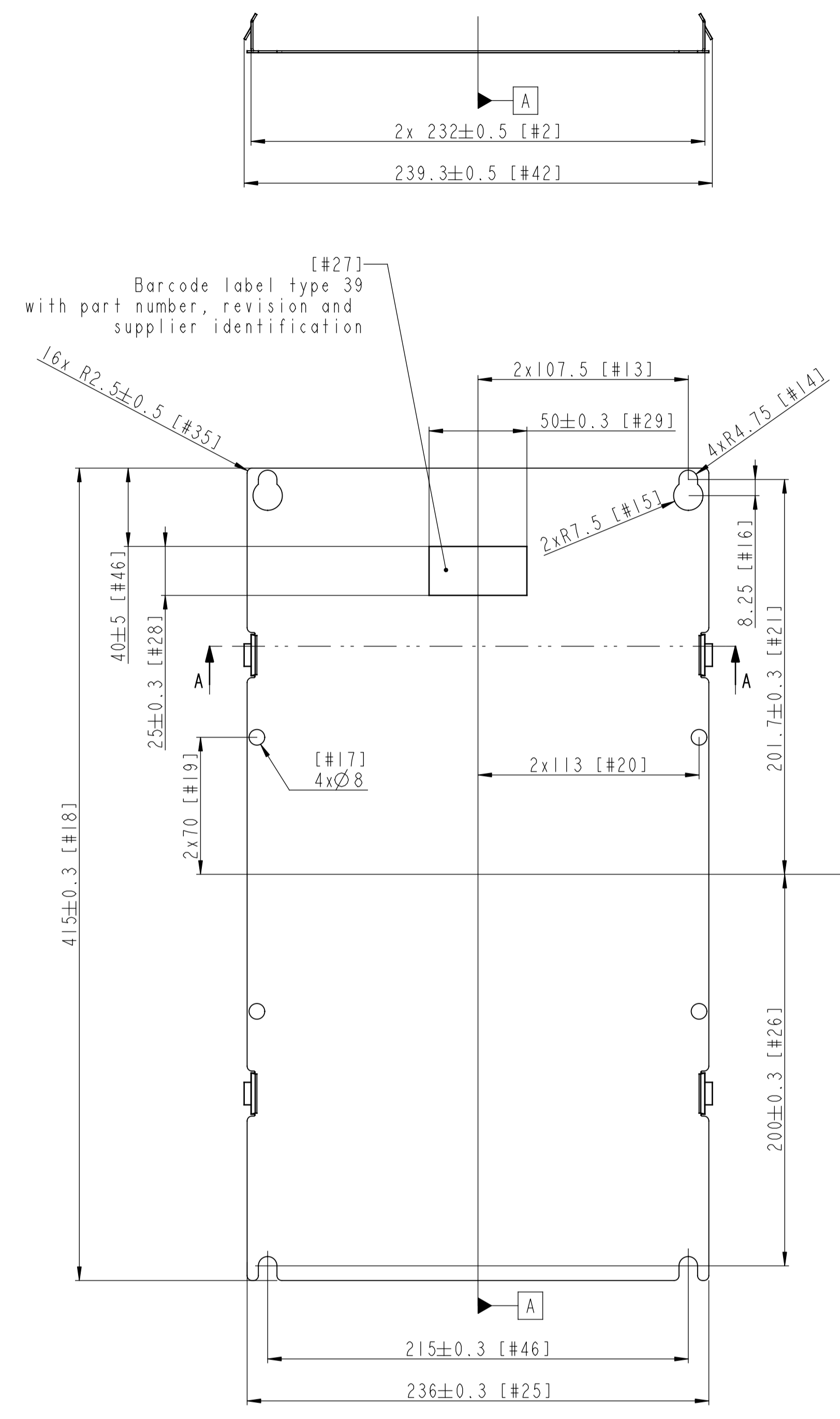


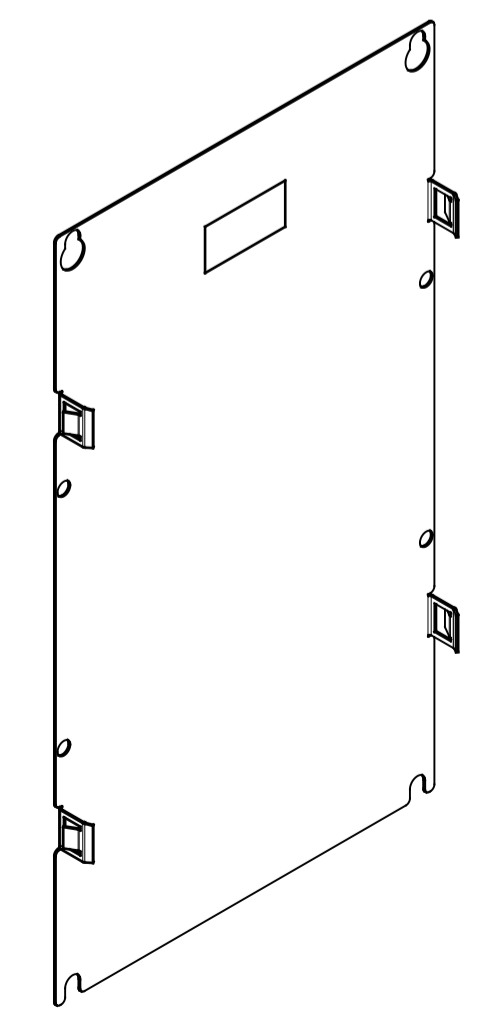
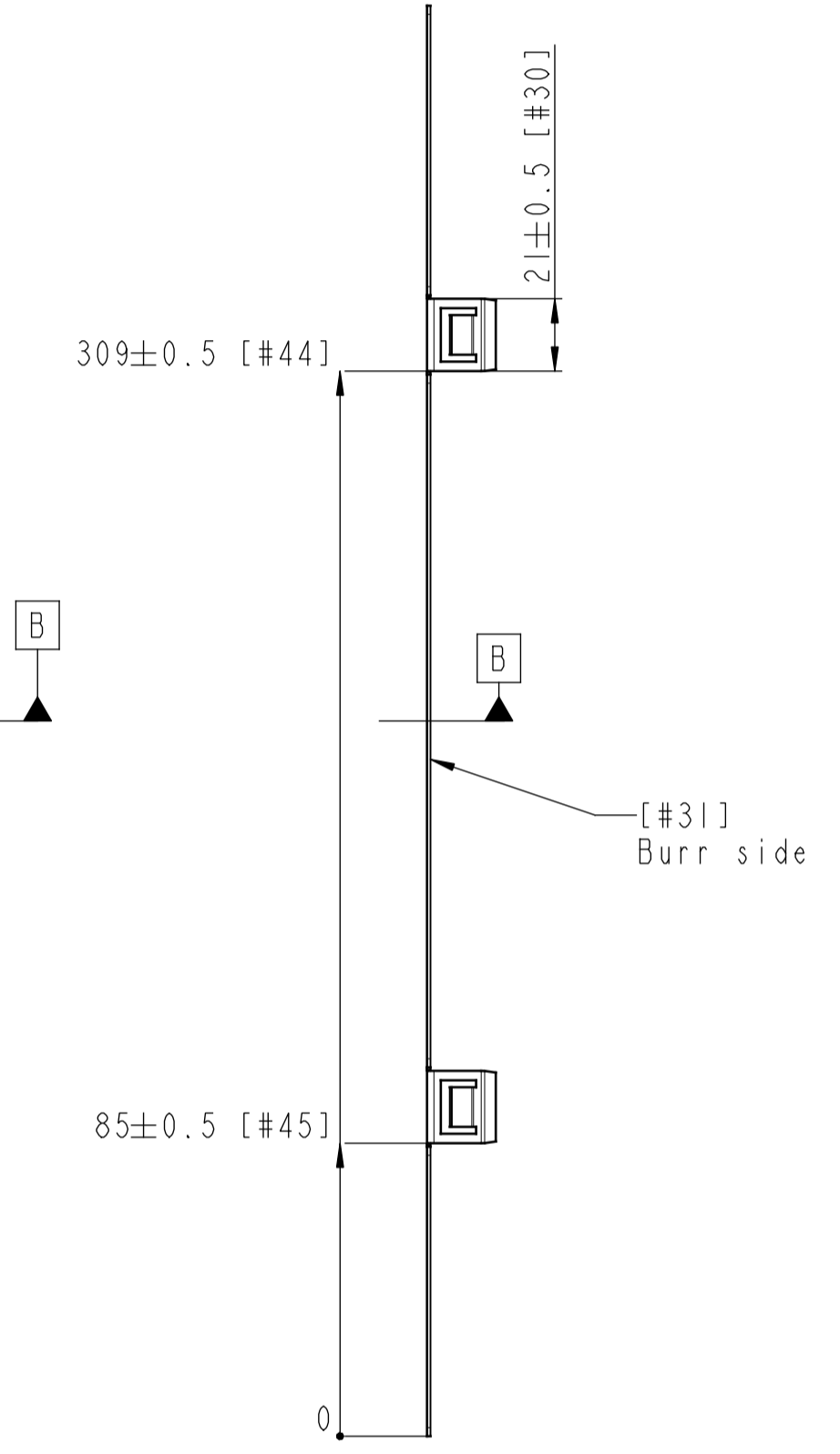
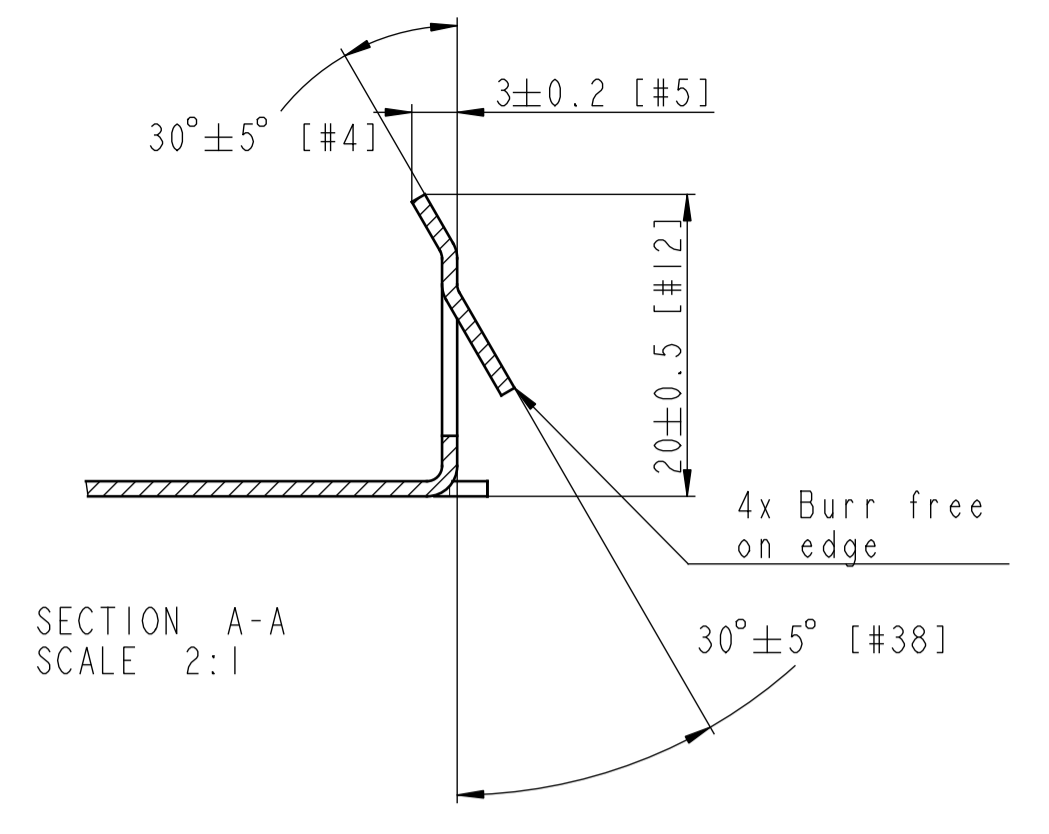
±0.2



SCALE 1:1

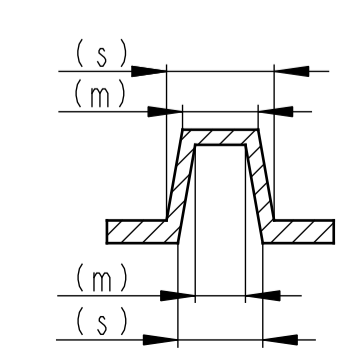


[#27]
Barcode label type 39
with part number, revision and
supplier identification



SCALE 3:10

[#20]
Material specification: 1mm Sheet in stainless steel - AISI: 304
Tolerance not specified: ±0.2
Part to be deburred



Projection	Scale / Paper size	Metr./Spec.
	1:2 / A1	See note
Last revised by		Danfoss standard
Date		Designation
H. Jessen 2015-01-26		Backplate
Confidential: Property of Danfoss Drives A/S. Not to be handed over to, copied or used by third party. Two- or three dimensional reproduction of contents to be authorized by Danfoss Drives A/S.		Part no.
PDM controlled drawing. - Hard copy not valid without frozen date in ID stamp.		130B3242
		1 of 1
		Rev. 006

Mod 1: 130B3242.FA01