

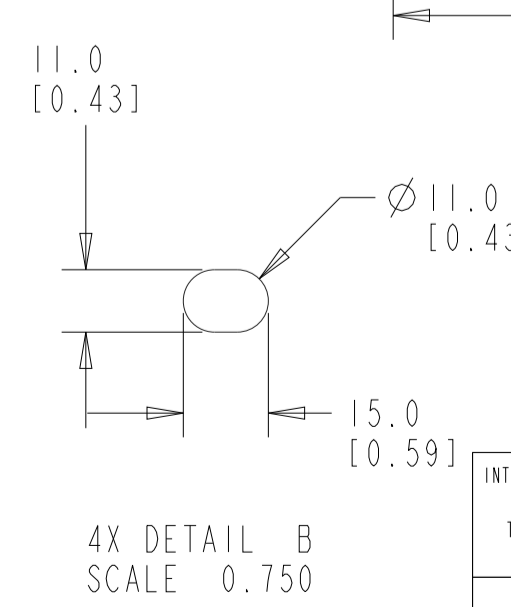
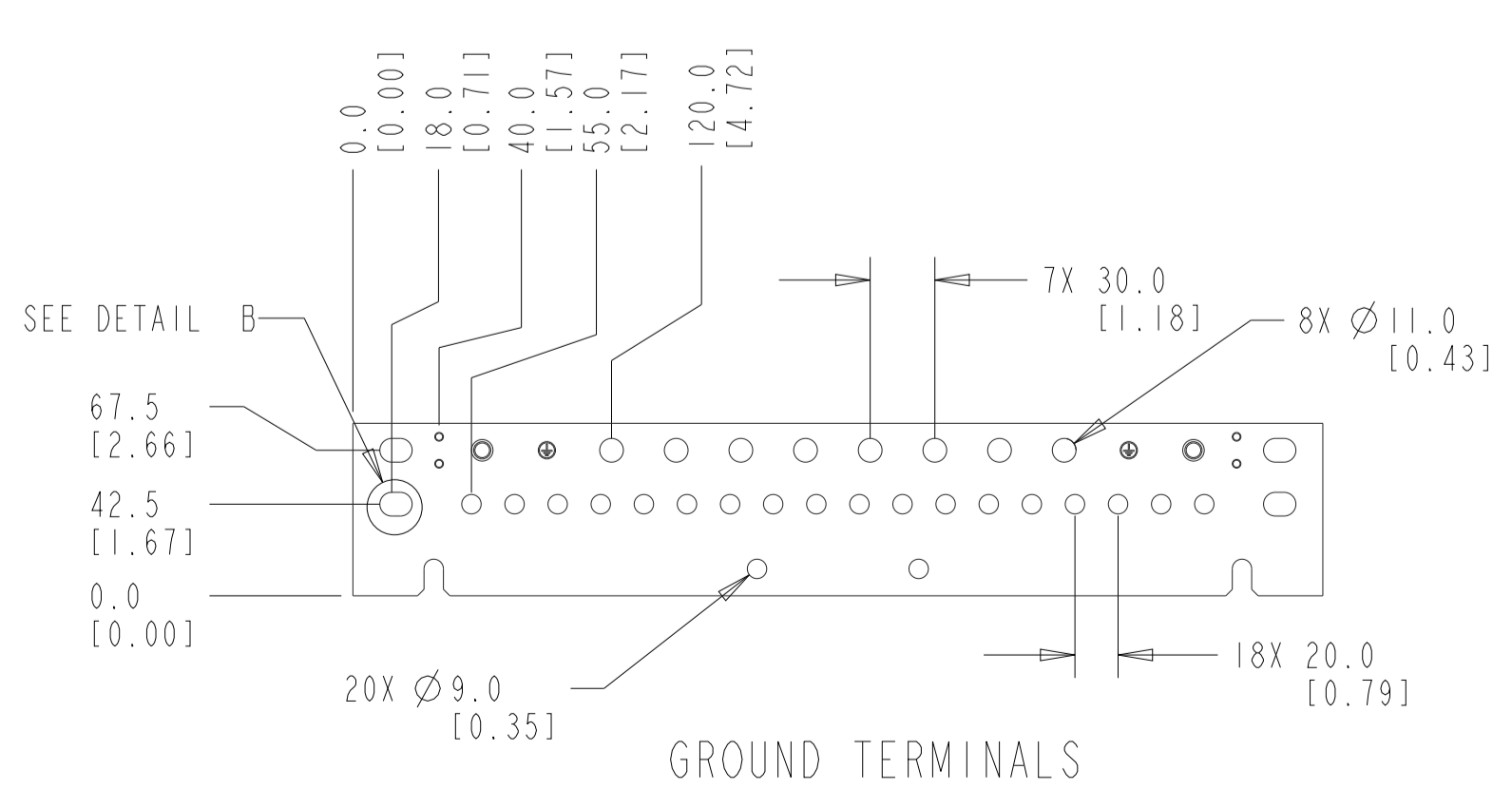
2155.5 [84.86]
2000.5 [78.76]

100.0 [3.94]

380.8 [14.99]
445.3 [17.531]
459.8 [18.10]
473.3 [18.63]
486.8 [19.16]
504.3 [19.85]
517.8 [20.38]
531.3 [20.92]

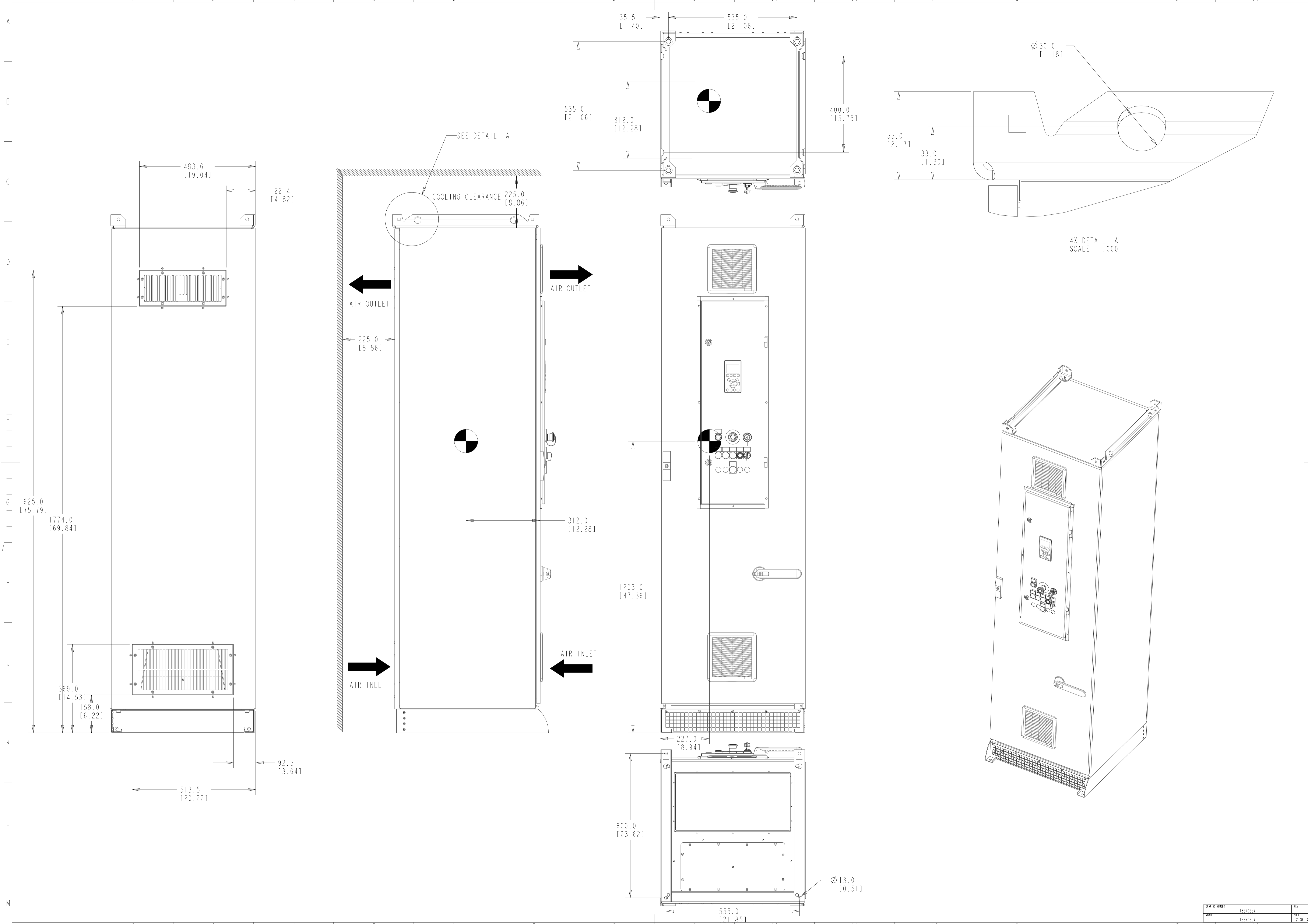
NOTE:
1. BACK CHANNEL COOLING: BACK IN BACK OUT
2. CABLE FEED: BOTTOM ENTRY & BOTTOM OUT
3. PLINTH HEIGHT CAN BE OF 100, 200, & 400mm HEIGHT.

CRITICAL CHARACTERISTICS
KEY CHARACTERISTICS
INSPECTION
MUST COMPLY TO ROHS DIRECTIVE 2011/65/EU

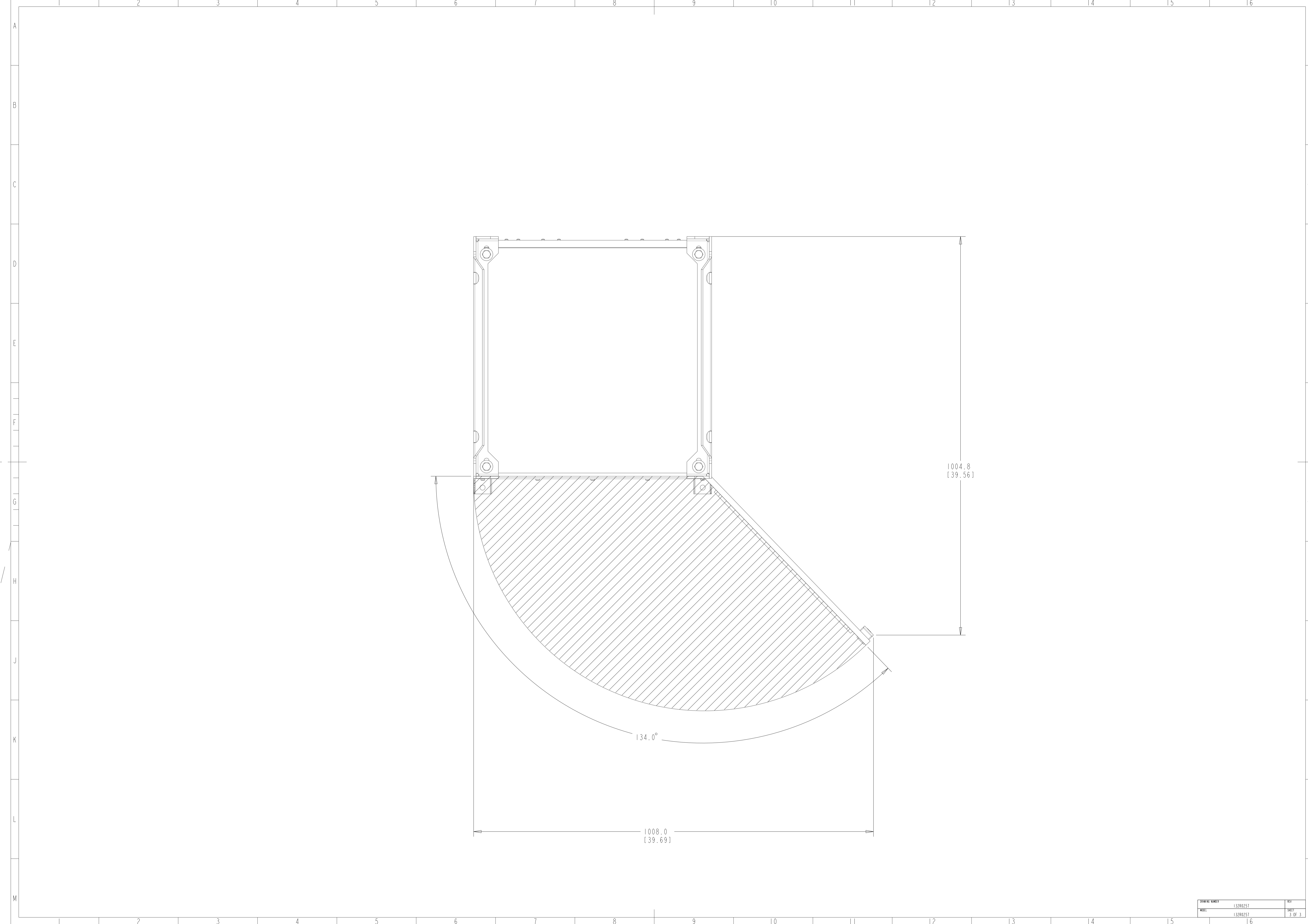


INTERPRET DIM. & TOL. PER ASME Y14.5M-1994 ALL DIMENSIONS ARE IN MILLIMETERS TOLERANCES UNLESS OTHERWISE SPECIFIED ±1.0 ±0.50 ±1.0		THIRD ANGLE PROJECTION	SCALE 0.150	SIZE A1	MATERIAL
— PDM CONTROLLED DRAWING — NOT VALID WITHOUT FROZEN DATE IN ID STAMP				FINISH	
CHANGED	SABARISH			MAY-21-2019	DESCRIPTION
DESIGNED	LAURI	MAY-07-2019	MCAD-PLV-D10H-IP54-DISCON		
CHECKED			DRAWING NUMBER		
CONFIDENTIAL: PROPERTY OF DANFOSS A/S NORBORG, DENMARK. NOT TO BE HANDED OVER TO BE COPIED OR BE USED BY A THIRD PARTY. TWO OR THREE DIMENSIONAL REPRODUCTION OF CONTENTS TO BE AUTHORIZED BY DANFOSS A/S.			132R0257	REV	002
			132R0257	SHEET	1 OF 3

INTERNAL INTERFACE CABLES ARE HIDDEN IN THE DRAWING FOR BETTER CLARITY



4X DETAIL A
SCALE 1.000



REVISION NUMBER	REV
132R0257	
132R0257	3 OF 3