

1. MAX AIRFLOW (BACKCHANNEL) - 7 M³/MIN (250 CFM)
2. MAX AIRFLOW (CABINET) - 1.7 M³/MIN (60 CFM)
3. MAX WEIGHT = 62 KG (135 LBS)
4. CENTER OF GRAVITY:
APPROXIMATE LOCATION ONLY, LOCATION MAY VARY BASED ON POWER RATING AND OPTIONS ORDERED.

INTERPRET DIM. & TOL. PER ASME Y14.5M-1994 ALL DIMENSIONS ARE IN MILLIMETERS TOLERANCES UNLESS OTHERWISE SPECIFIED .XX±0.4 .XX±0.2 ≤±0.5		THIRD ANGLE PROJECTION	SCALE 0.175	SIZE A2	MATERIAL
— PDM CONTROLLED DRAWING — NOT VALID WITHOUT FROZEN DATE IN ID STAMP			FINISH NA		
CHANGED	DESIGNED BC		03/14/19	DESCRIPTION INSTALLATION DRAWING, J8, IP20/CHASSIS	
CHECKED			DRAWING NUMBER 177R0694	REV 001	
CONFIDENTIAL: PROPERTY OF DANFOSS A/S NORDBORG, DENMARK. NOT TO BE HANDED OVER TO BE COPIED OR BE USED BY A THIRD PARTY. TWO OR THREE DIMENSIONAL REPRODUCTION OF CONTENTS TO BE AUTHORIZED BY DANFOSS A/S.					MODEL P454_D1_PRODUCTION
					SHEET 1 OF 3

Ⓢ CRITICAL CHARACTERISTICS
 ▽ KEY CHARACTERISTICS
 ○ INSPECTION
 MUST COMPLY TO ROHS DIRECTIVE 2011/65/EU

SECTION A-A
MAINS TERMINALS

SECTION B-B
MOTOR TERMINALS

MAINS TERMINAL

MOTOR TERMINAL

0 [0.0]
272 [10.7]

188 [7.4]
83 [3.3]
0 [0.0]

244 [9.6]
0 [0.0]

EARTHING / GROUNDING CONNECTIONS

0.0 [0]
10.4 [0]
0 [0.0]
59 [2.3]
145 [5.7]
182 [7.2]
3X M8X18 STUD WITH NUT

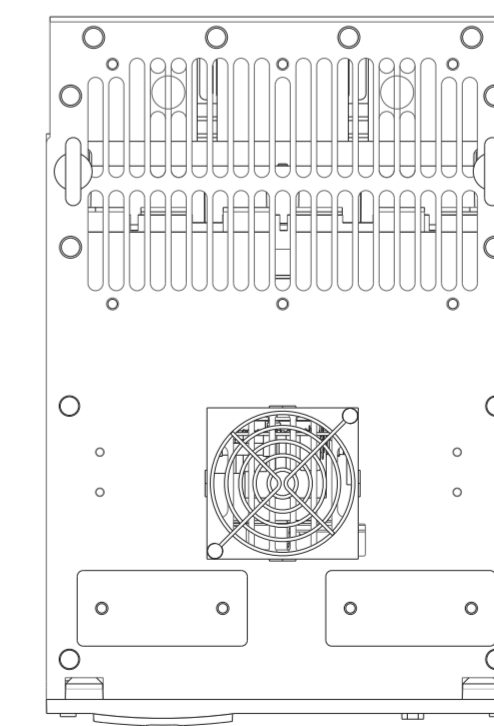
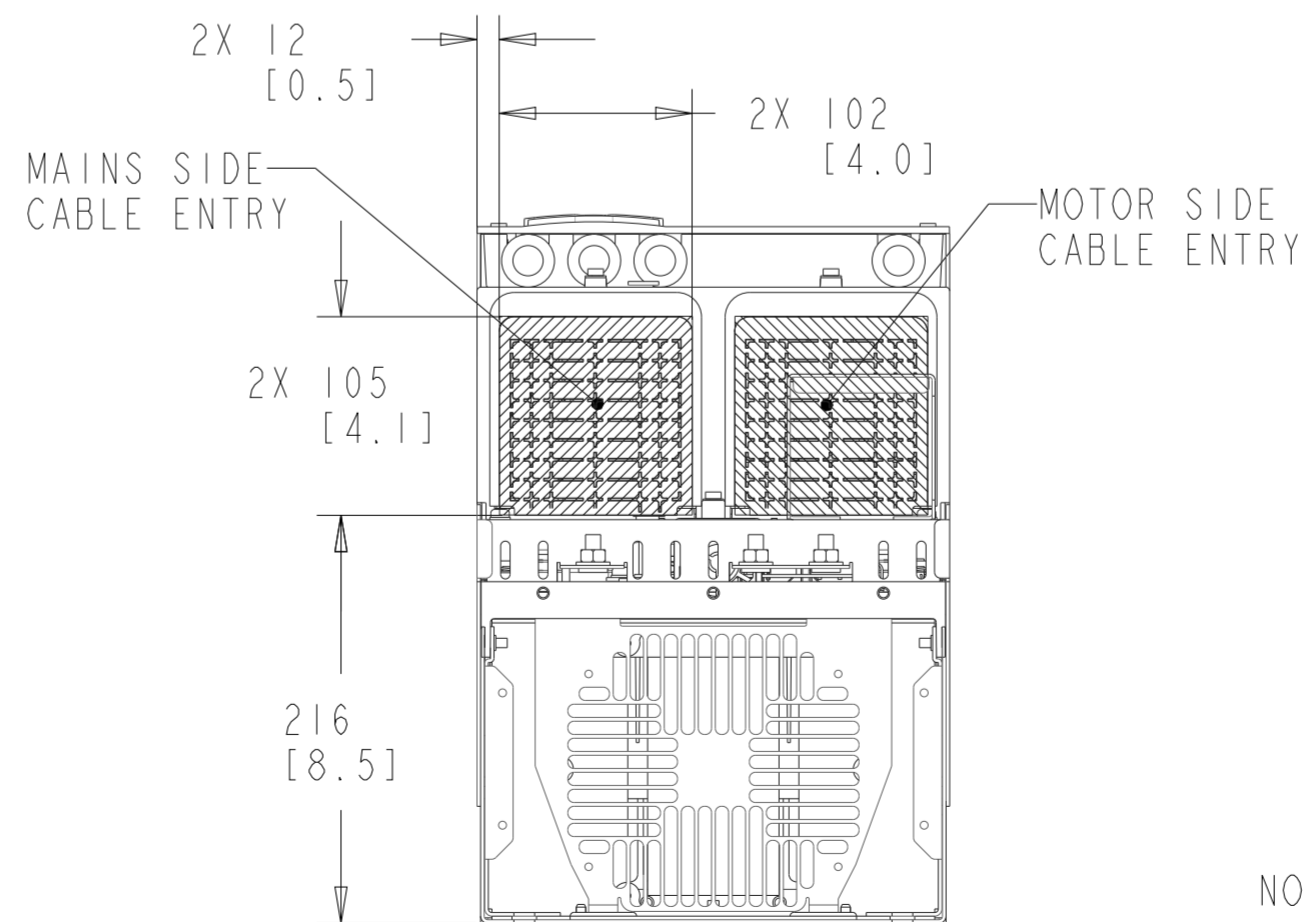
62 [2.4] (S)
145 [5.7] (U)
224 [8.8] (W)
23 [0.9] (R)
101 [4.0] (T)
184 [7.3] (V)

MAINS TERMINAL

MOTOR TERMINAL

M10
13 [0.5]
32 [1.3]

M10
13 [0.5]
32 [1.3]



NOTES:

1. PLACE CABLES THROUGH MARKED AREAS
2. 95MM² (3/0) MAX WIRE SIZE

DRAWING NUMBER	177R0694	REV	001
MODEL	P454_DI_PRODUCTION	SHEET	2 OF 3

THE TABLES BELOW MAY BE USED TO CONFIRM THE CORRECT FRAME SIZE AND DRAWING FOR A SPECIFIC DRIVE RATING (POWER AND VOLTAGE). THIS DRAWING IS FOR J8 FRAMES, THE TABLES BELOW IDENTIFY WHICH DRIVES ARE REPRESENTED BY THIS DRAWING.

THE TABLE BELOW CAN BE USED TO DETERMINE THE FRAME SIZE IF THE SPECIFIC MODEL/TYPECODE IS KNOWN.

KW RATED DRIVES				
KW NORMAL OVERLOAD	90	110	132	160
400V	J8	J8	J8	J8

PLATFORM	VOLTAGE	MODEL/TYPECODE	FRAME(IP20)
FC-361	T4	FC-361N90KT4	J8
		FC-361N110T4	
		FC-361N132T4	
		FC-361N160T4	

DRAWING NUMBER	177R0694	REV	001
MODEL	P454_D1_PRODUCTION	SHEET	3 OF 3