

MR11 IS A COMBINATION OF 2 MR9

All dimensions are in Millimeters Unspecified tolerance according to: [Tolerance]	Projection	Size	A3	Material: -	
		Thickness	-		Finish: -
	Mass	-	Kg		Description / Name
Other dimensions acc. to 3D-model				MR11 Dimension Drawing	
Replace	[Replace]				
Designer	Kishore 10-11-2021				
Modifier	[Modifier] [Modifier Date]				
Confidential: Property of Danfoss and its subsidiaries. Not to be copied, handed over to or used by third party. Two- or three dimensional reproduction of content to be authorized by Danfoss Drives A/S				Item Number DPD02221	
				REV AP1 Sheet 1 of 2	

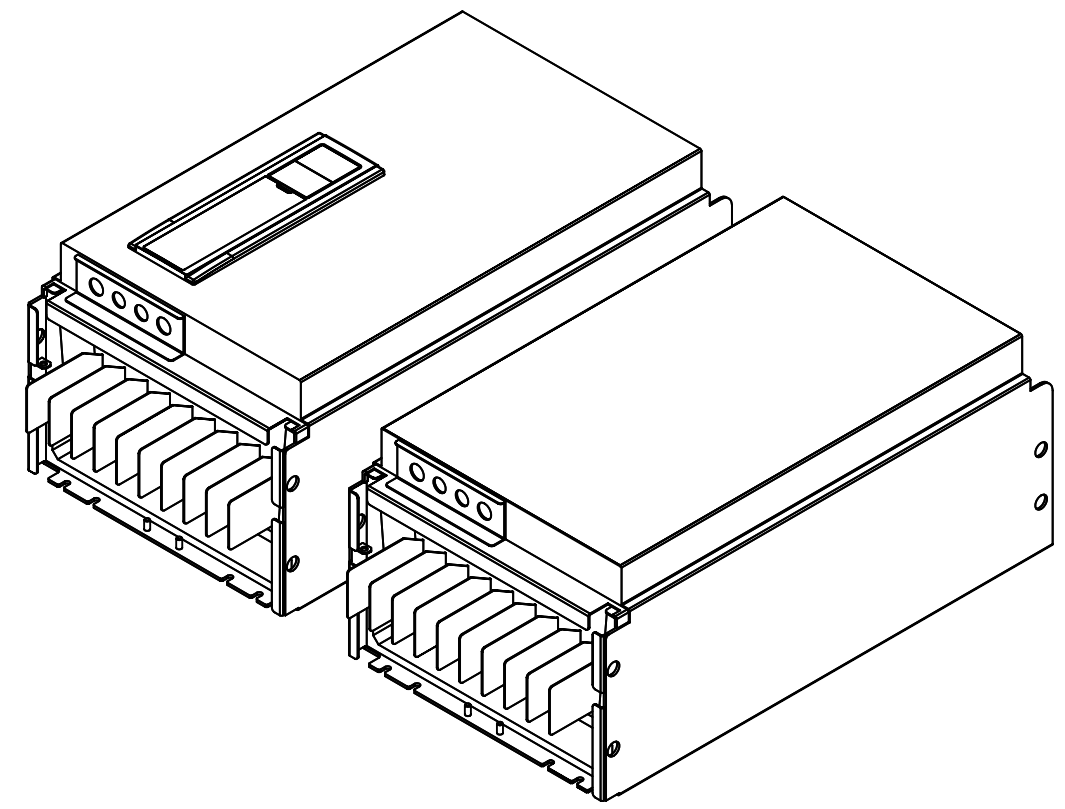
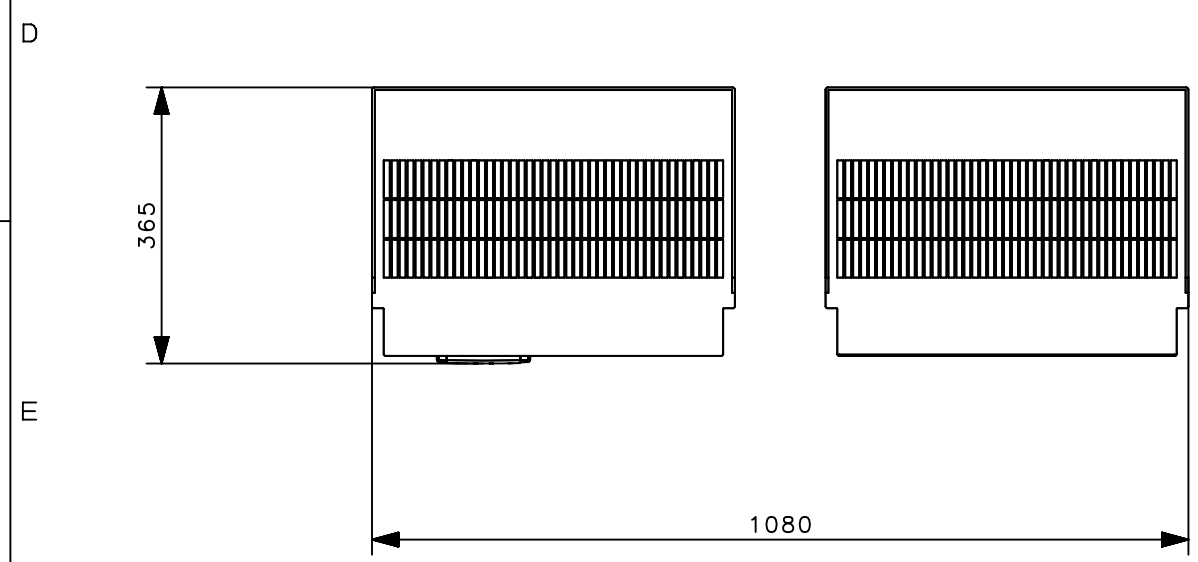
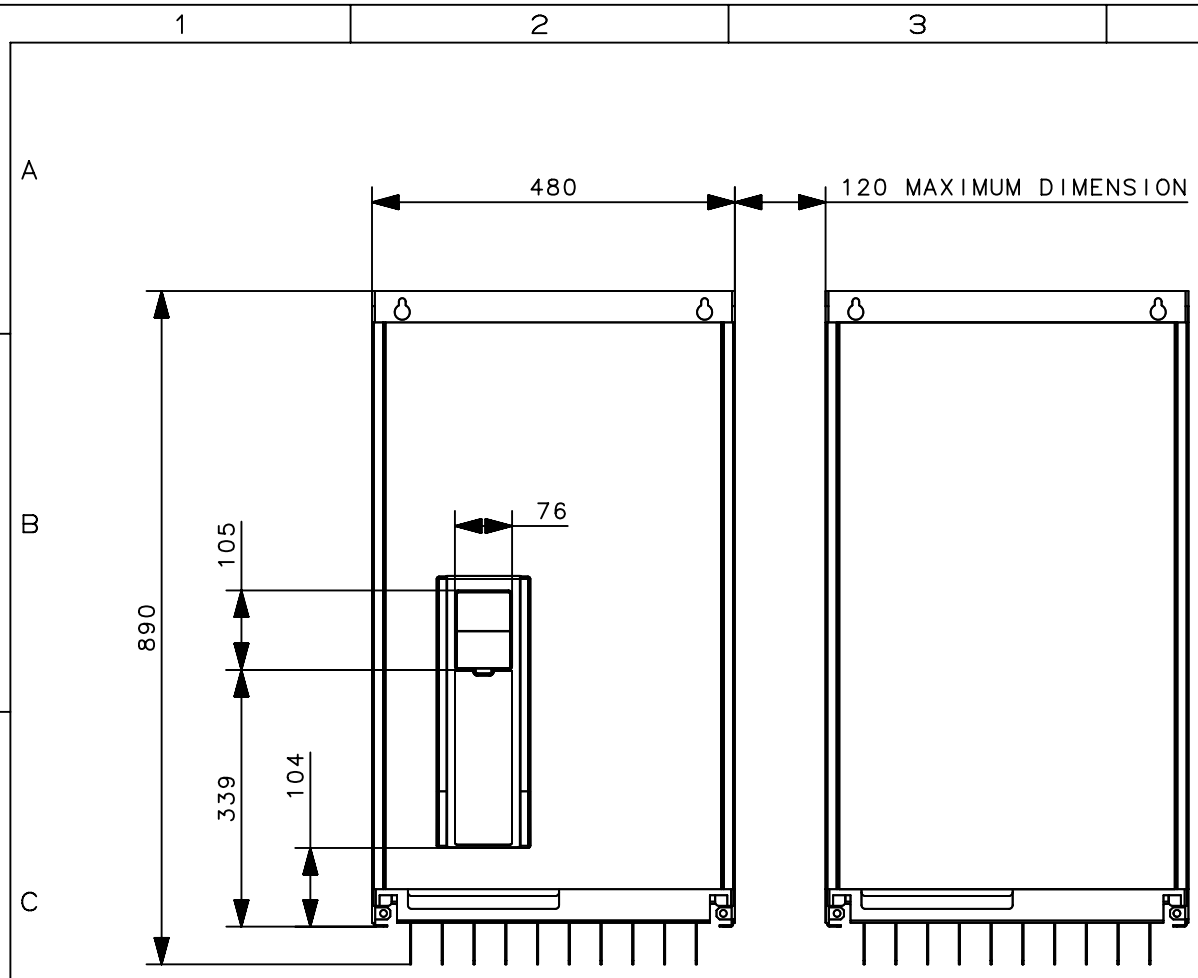
Changes Insert modifications here

1 2 3 4 5 6 7 8

A
B
C
D
E
F

A
B
C
D
E
F

1 2 3 4 5 6 7 8 A3



All dimensions are in Millimeters Unspecified tolerance according to: [Tolerance]		Projection	Size	A3	Material: -	
Other dimensions acc. to 3D-model			Thickness	-	Finish: -	
			Mass	- Kg	Description / Name	
Replace	[Replace]				MR11 DIMENSION DRAWING	
Designer	Kishore 10-11-2021					
Modifier	[Modifier] [Modifier Date]					
Confidential: Property of Danfoss and its subsidiaries. Not to be copied, handed over to or used by third party. Two- or three dimensional reproduction of content to be authorized by Danfoss Drives A/S					Item Number	REV
					DPD02221	AP1
						Sheet
						2 of 2

Changes | Insert modifications here

	1	2	3	4	5	6	7	8
A								
B								
C								
D								
E								
F								
	1	2	3	4	5	6	7	A3