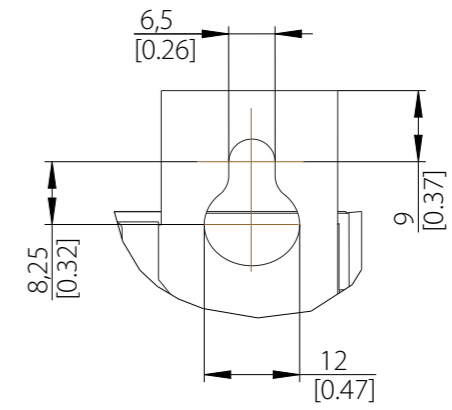
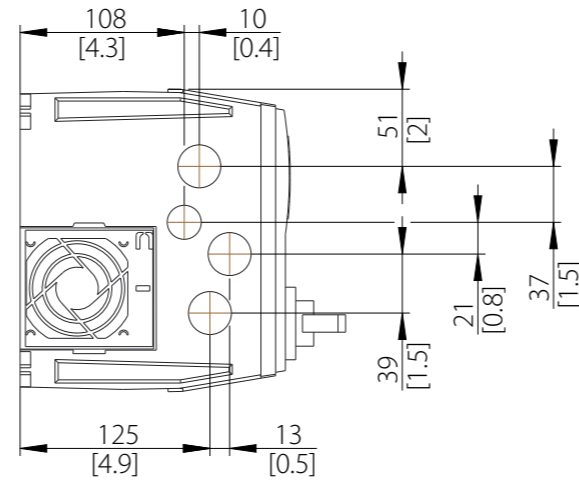
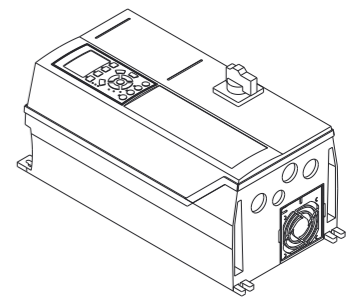
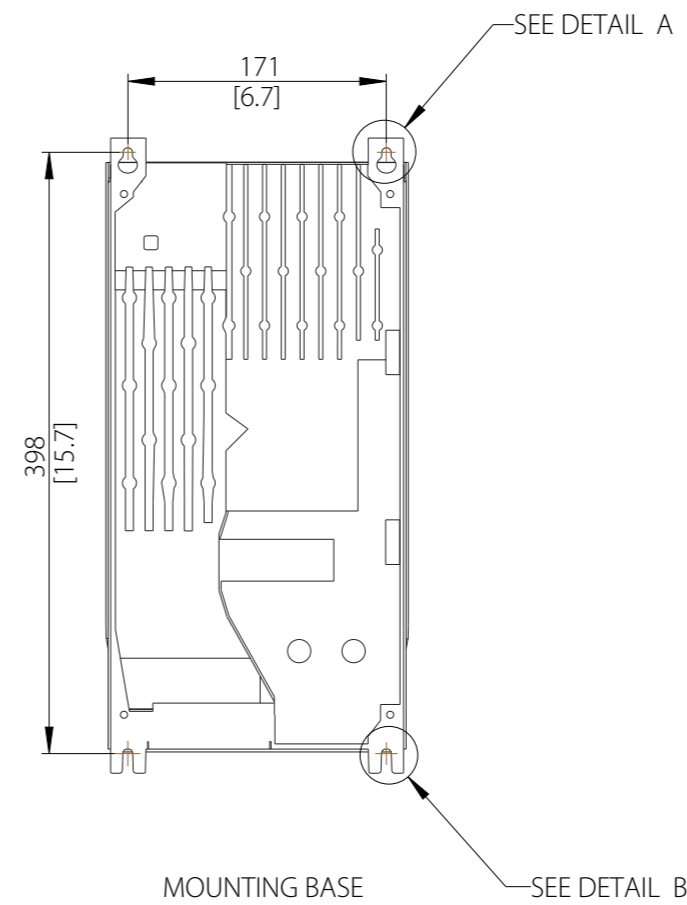
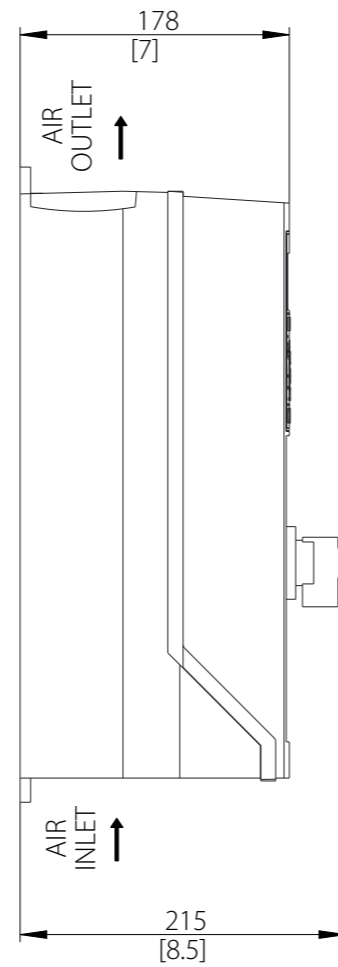
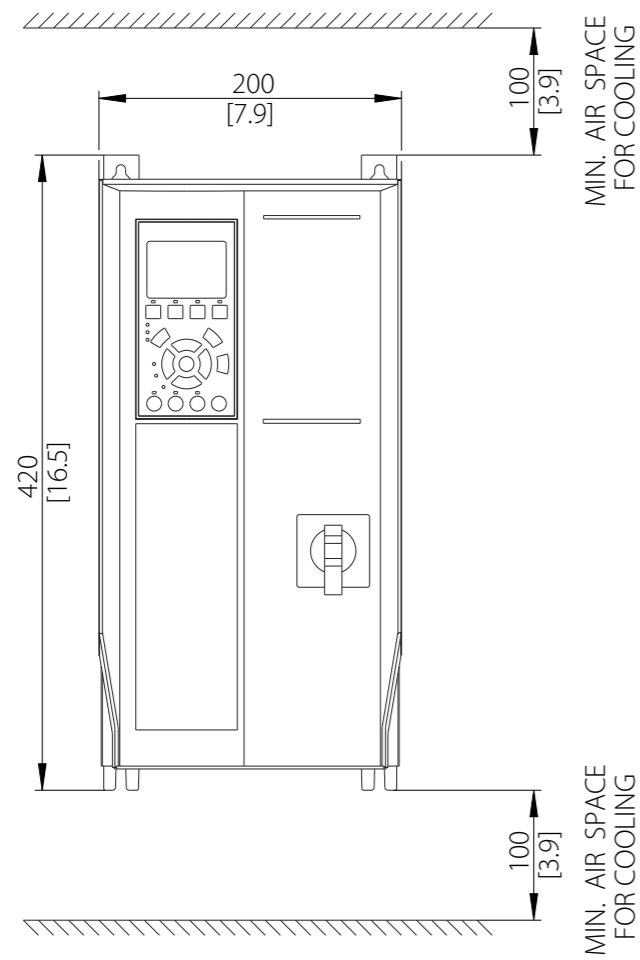


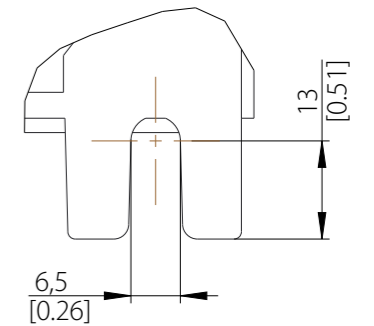
Type	Value
Max Weight	9.7 kg / 21.4 lb
IP Class	IP55/66
Nema Class	Type 12/4X



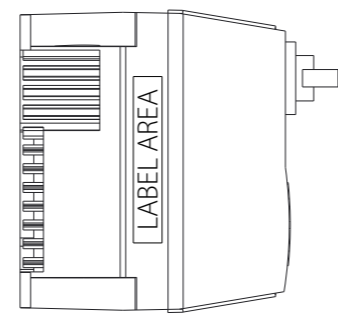
2x DETAIL A  
SCALE 1:1



SCALE 1:10



2x DETAIL B  
SCALE 1:1



UNLESS OTHERWISE SPECIFIED THE TOLERANCE IS $\pm 1$ MM [0.4 INCH]. ALL DIMENSIONS ARE IN MILLIMETERS [INCH]		FIRST ANGLE PROJECTION	SCALE 1:5	DRAWING SIZE A3	MATERIAL -	
					FINISH -	
					DESCRIPTION ENCLOSURE A4-SWITCH	
CHANGED					DRAWING NUMBER MCAD-FC-A4-IP55-66-W_SWITCH	REV 001
DESIGNED	Danfoss				MODEL MCAD-FC-A4-IP55-66-W_SWITCH	SHEET 1 OF 1
CHECKED	KISHORE	12-10-2020	PROPERTY OF DANFOSS A/S NORDBORG, DENMARK. TWO OR THREE DIMENSIONAL REPRODUCTION OF CONTENTS TO BE AUTHORIZED BY DANFOSS A/S.			

THIS DRAWING SHOWS THE MOST COMMON VERSION OF THIS PRODUCT VARIANT. SMALL DIFFERENCES MAY OCCUR DEPENDING ON THE FINAL PRODUCT CONFIGURATION.

CENTER OF GRAVITY: FOR REFERENCE ONLY, THE PRODUCT CONFIGURATION MAY INFLUENCE THE CG IN ALL THREE AXES.