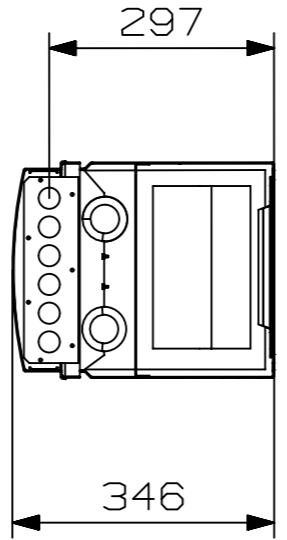
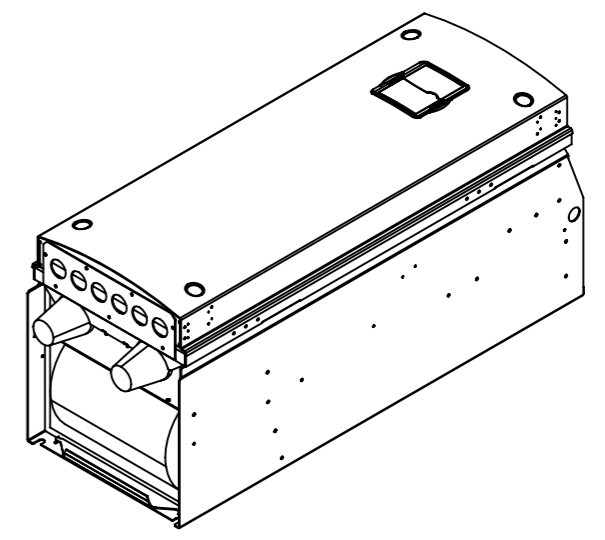
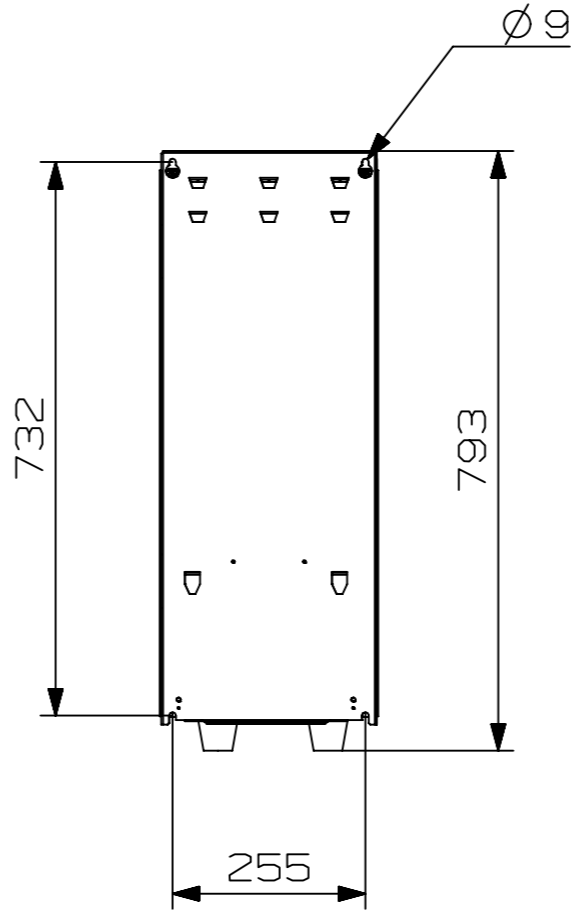
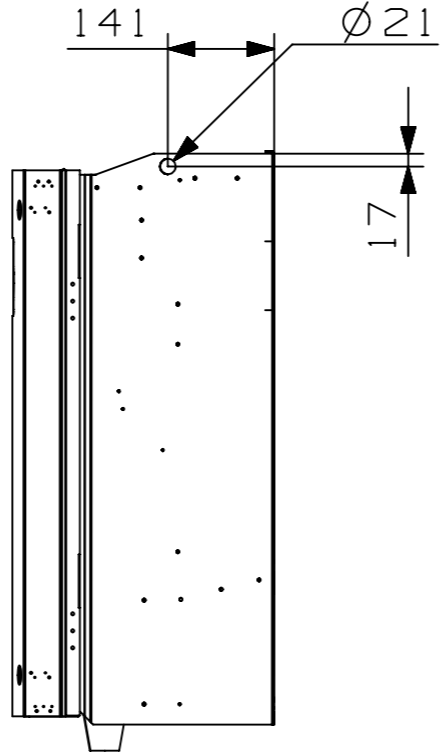
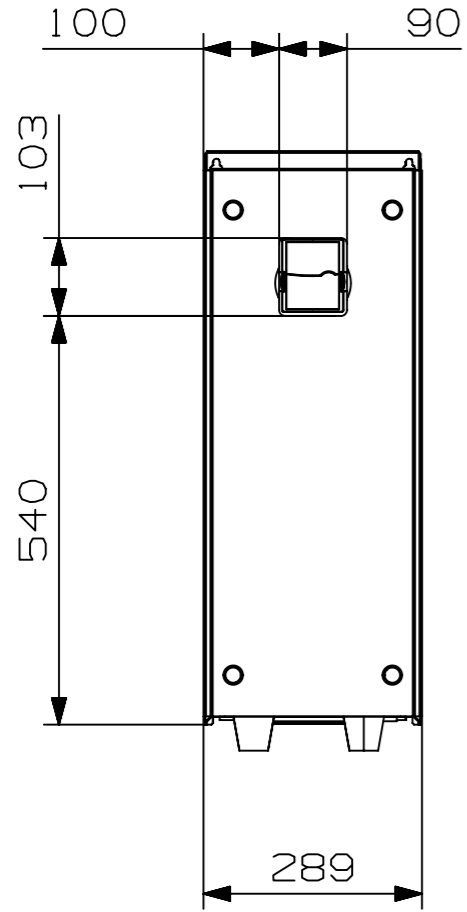


1 2 3 4 5 6 7 8

A
B
C
D
E
F



All dimensions are in Millimeters Unspecified tolerance according to: [Tolerance]	Projection 	Size	A3	Material: _____ Finish: _____
		Thickness	-	
		Mass	- Kg	
Other dimensions acc. to 3D-model				Description / Name FR8 DIMENSION DRAWING IP54
Replace	[Replace]			
Designer	KISHORE 21-Sep-2021			
Modifier	[Modifier] [Modifier Date]			
Confidential: Property of Danfoss and its subsidiaries. Not to be copied, handed over to or used by third party. Two- or three dimensional reproduction of content to be authorized by Danfoss Drives A/S				Item Number FR08901
				REV AP1 Sheet 1 of 1

Changes Insert modifications here

1 2 3 4 5 6 7 8