

additional informations:
 filter colour : zinc plated steel
 filter weight : 7,5kg

label:

MLT MOC 101 sine wave FILTER
 WWW.danfoss.com

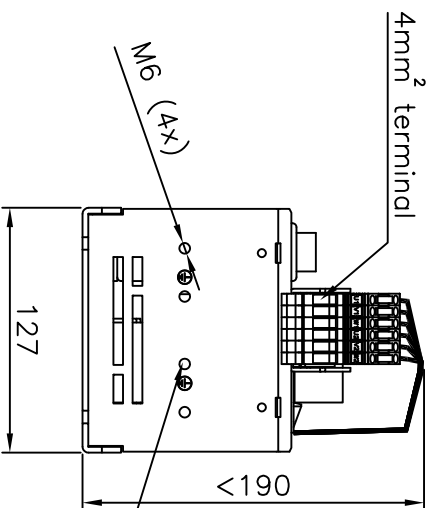
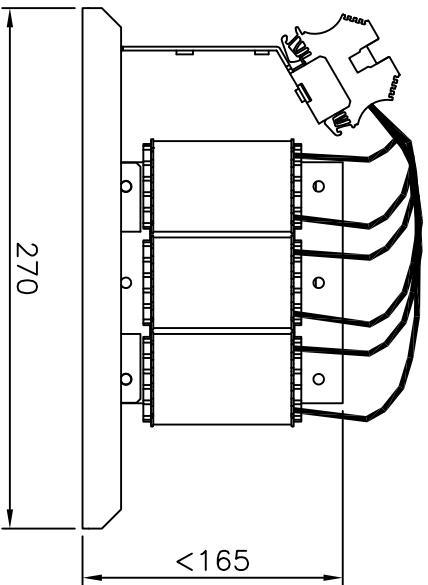
MADE IN GERMANY
 CIP-2 JUF
 3x 4,5A@50Hz - 4,0A@60Hz - 3,0A@100Hz
 Check/P00 Term. 45°C/115°F
 Weight: 7,5kg
 Terminal: 0,5-1,0mm
 only CU

130B735000159-186

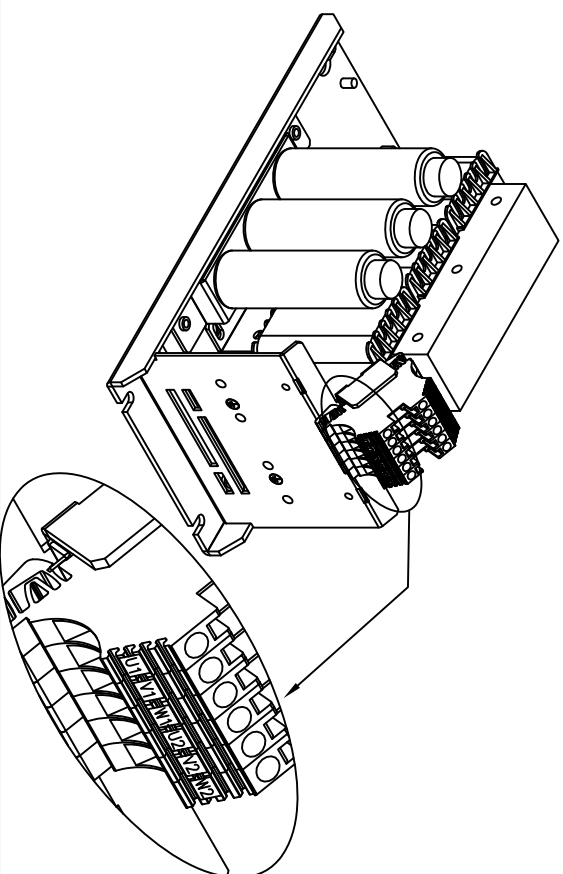
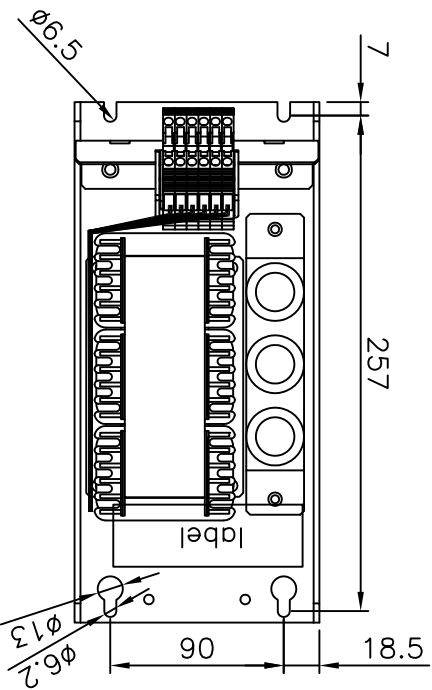
Use only with a Type 1 or Type 2 SPD overvoltage control device

E 230022 B 1201009 FA-Nr.: 000000
 Bild Code/Typ. H/CI Siebnummer
 Umriss/Ansicht

EN 61508 CE



2pcs earth screws M6x16
 (with lockwasher and washer)



- e|03.05.16| Schr./ Fle. | Typeable updated Danfoss Postaddress included
- d|21.06.15| Schr./ Fle. | Typeable updated
- c|17.11.14| Schr./ Fle. | Typeable updated
- b|13.08.13| KOR/Fle. | cabling updated
- a|11.10.12| KOR/ Lauer | screen connection plate added

date	name	amendment

Dimensions toleranced according to ISO 2768-m						
Tolerance class	0,5	from 3	from 6	from 30	from 120	from 400
	to 3	to 6	to 30	to 120	to 400	to 1000
m (middle)	±0.1	±0.1	±0.2	±0.3	±0.5	±0.8

drawn	21.05.12	Kornau	Kornau	scale	1:4	Dimensions B 1201009 sine wave filter 690V 4,5A - IP00
checked	21.05.12	Bremer	Bremer	format	A4	
	date	name	signature			

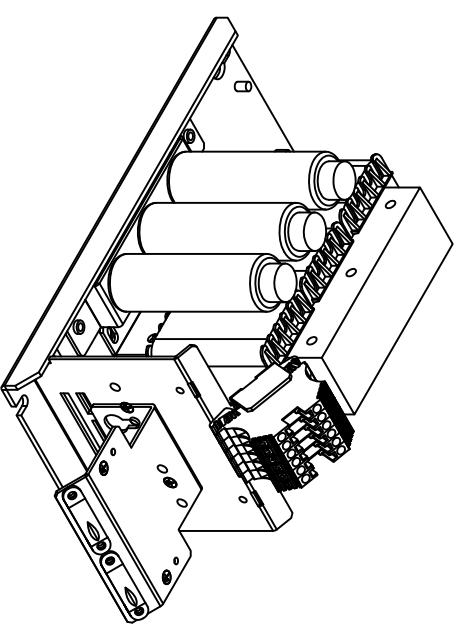
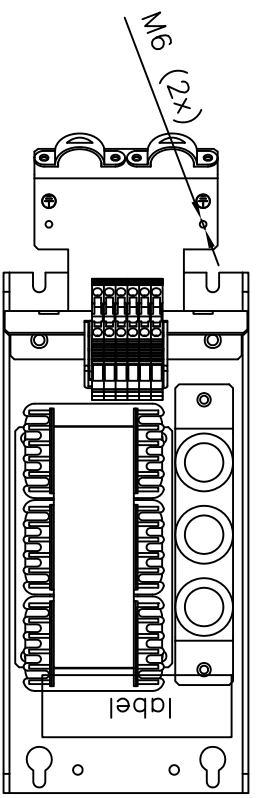
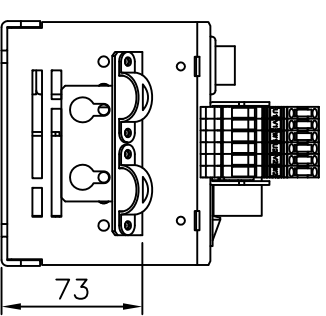
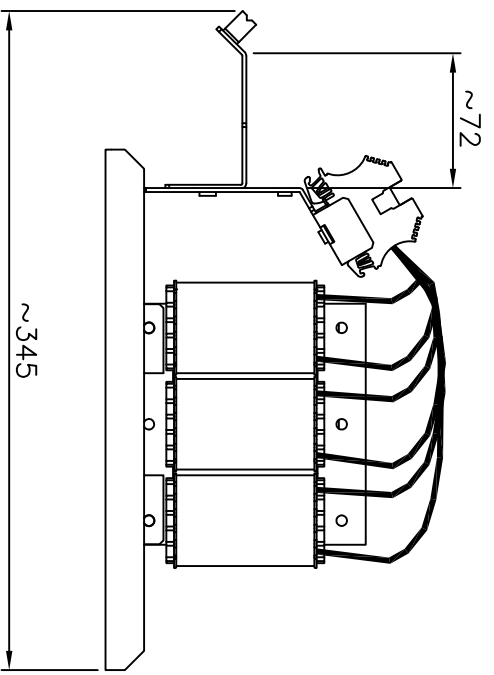
order number	130B7335	drawing number	Z791205006	modi.	e	sheet	1/2
--------------	----------	----------------	------------	-------	---	-------	-----

all dimensions mm

Please observe protection clause to ISO 16016

1 2 3 4 5 6 7 8

included accessories
(screen connection plate)



- e|03.05.16| Schr./ Fe. | Typelable updated Dantoss Postaddress included
- d|21.06.15| Schr./ Fe. | Typelable updated
- c|17.11.14| Schr./ Fe. | Typelable updated
- b|13.08.13| KOR/ Fe. | cabling updated
- a|11.10.12| KOR/ Lauer | screen connection plate added

date	name	amendment

Dimensions toleranced according to ISO 2768-m	
Tolerance class	0,5 to 3
m (middle)	±0.1

drawn	checked	date	name	signature	scale	format
21.05.12	21.05.12		Bremer	Bremer	1:4	A4

Dimensions B 1201009
sine wave filter 690V 4,5A – IP00

order number	drawing number	modi.	sheet
130B7335	Z791205006	e	2/2

Please observe protection clause to ISO 16016

