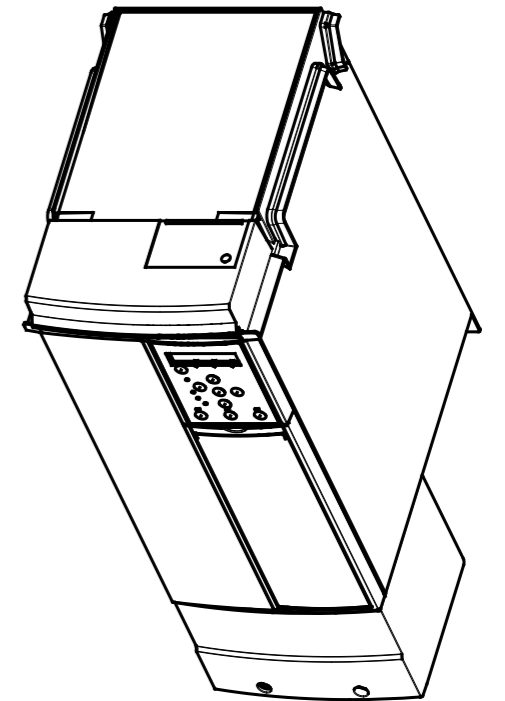
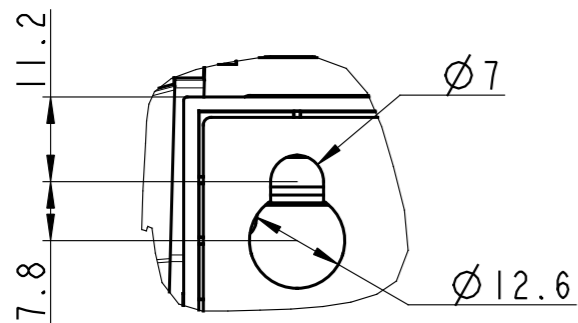


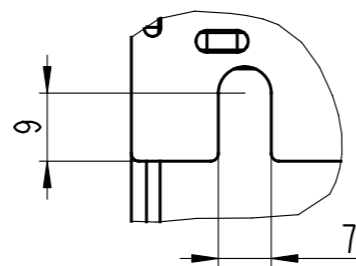
Mounting Base



SCALE 1:5



A(1:1)



B(1:1)

PDM controlled drawing. Hard copy not valid without frozen date in ID Stamp		Projection 	Scale 1:5	Size A3	Material _____
Replace Designer					Designation / Name  H5-1p21_outline
2012-11-22					No. H5-1P21_OUTLINE
Confidential: Property of Danfoss Power Electronics A/S, Graasten, Denmark. Not to be handed over to, copied or used by third party. Two- or three dimensional reproduction of contents to be authorized by Danfoss Power Electronics A/S.					

Model: H5-1P21\_OUTLINE.PART