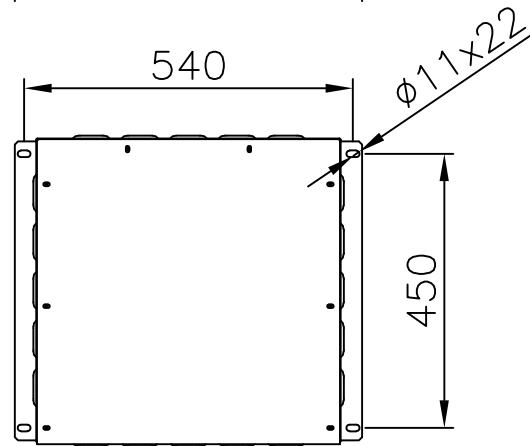
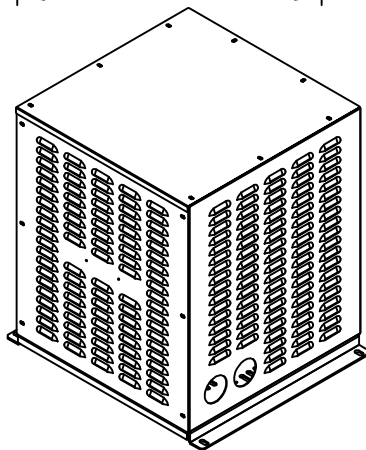
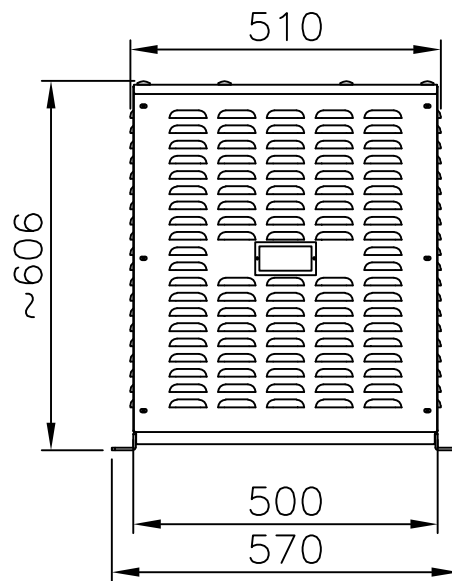
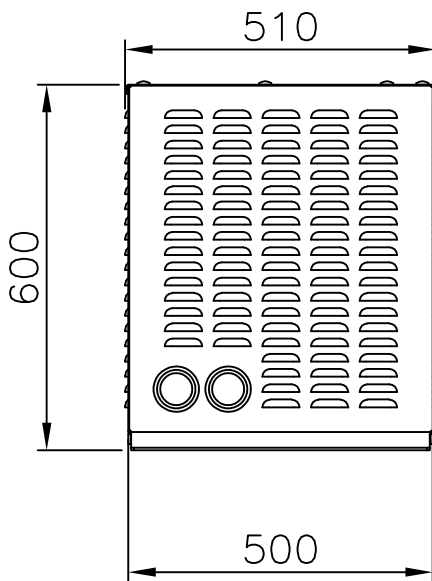
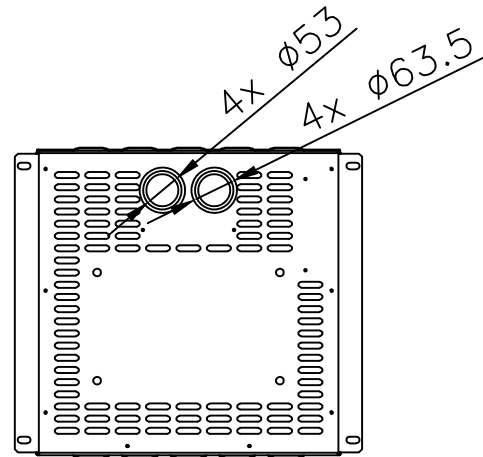


additional informations:

filter colour : RAL7001  
 filter weight : 154kg

label:

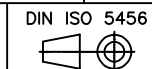
<b>VLT</b> MCC 101 sine wave FILTER		Danfoss A/S, 6430 Nordborg, Denmark	
www.danfoss.com			
TIC: MCC101A 1151 7L23B	S/N: 000167-186	MADE IN GERMANY	L=310µH
P/N: 130B9029		C <sub>v</sub> =33µF	
3x 525-690V - 50/60Hz (max. 100Hz)		f <sub>sw</sub> =3kHz	
3x 115A@50Hz 109A@60Hz 86A@100Hz		P <sub>loss</sub> =750W	
NEMA 1F23 Tamb. 45°C/113°F		Weight: 154kg	
*130B9029000167-186*		Tightening torque terminal: 6,0-12,0Nm only CU	
Use only with a type 1 or type 2 SPD overvoltage control device			
E 219022 Ind. Cont. Eq. 1HD1 Um=690V	B 1002053.1 see manual for UL-requirements	FA-Nr.: 000000	EN 61558



c	08.05.16	Schr./Fle.	typelabel updated, Danfoss Postaddress included
b	21.06.15	Schr./Fle.	typelabel updated
a	10.11.14	Schr./Fle.	typelabel updated
	date	name	amendment

drawn	13.12.13	Kornau	Kornau	scale
checked	13.12.13	Denecke	Denecke	1:10
	date	name	signature	formate
				A4

Dimensions B 1002053.1  
 sine-wave filter 690V 115A – IP23s



all dimensions mm

order number	drawing number	modi.	sheet
130B9029	Z791312007	c	1/1

Please observe protection clause to ISO 16016