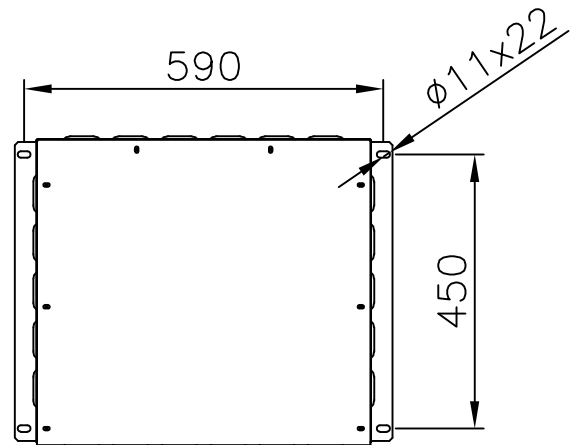
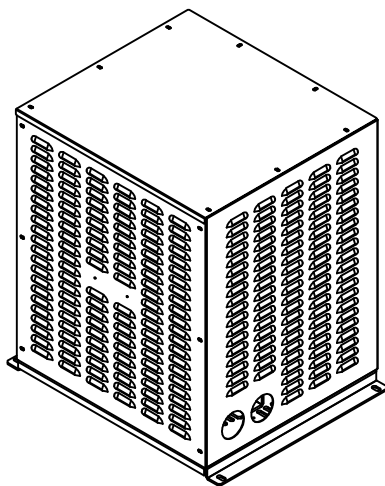
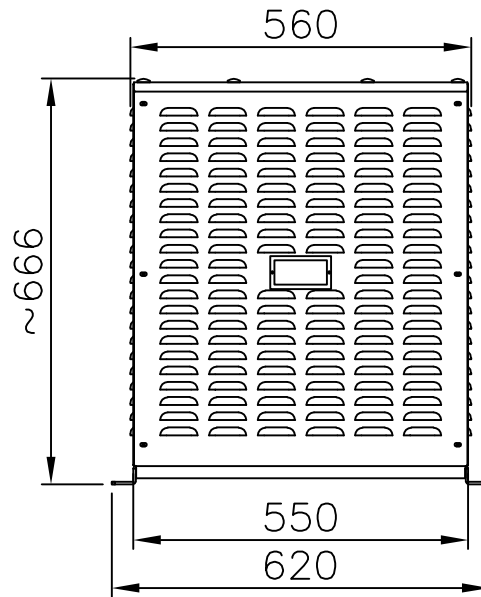
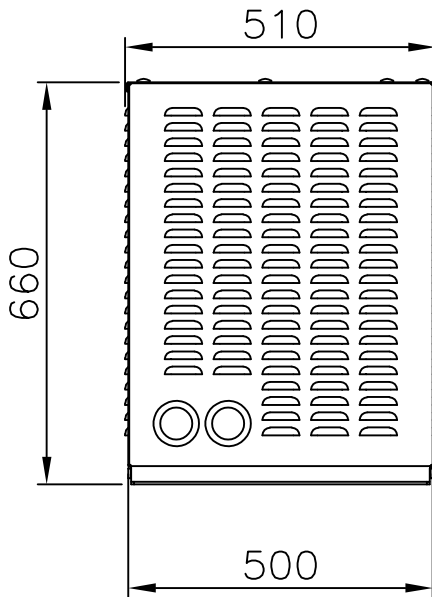
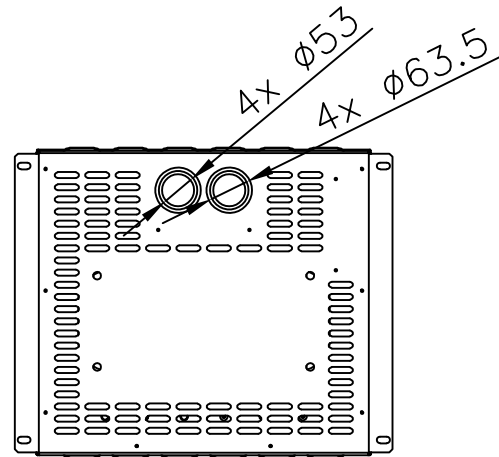


additional informations:

filter colour : RAL7001
 filter weight : 192kg

label:

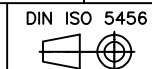
VLT MCC 101 sine wave FILTER		Danfoss A/S, 6430 Nordborg, Denmark	
www.danfoss.com		MADE IN GERMANY	
T/C: MCC101A165TL23B	S/N: 000167-186	L: 765µH	
P/N: 130B9042		Cy=66µF	
3x 525-690V - 50/60Hz (max.100Hz)		fsw=2KHz	
3x 165A@50Hz 156A@60Hz 124A@100Hz		Floss: 1100W	
NEMA 1IP23 Tamb: 45°C/113°F		Weight: 192kg	
130B9042000167-186		Tightening torque	terminal: 18Nm
Use only with a type 1 or type 2 SPD overvoltage control device			
E 219022 Ind. Contr. Eq. 1HD1 Umaks=600V	B 1002054.1 See manual for UL-requirements	FA-Nr: 000000	EN 61558



c	08.05.16	Schr./Fle.	typelabel updated, Danfoss Postaddress included
b	21.06.15	Schr./Fle.	typelabel updated
a	17.11.14	Schr./Fle.	typelabel updated
	date	name	amendment

drawn	13.12.13	Kornau	Kornau	scale
checked	13.12.13	Denecke	Denecke	1:10
	date	name	signature	formate
				A4

Dimensions B 1002054.1
 sine-wave filter 690V 165A – IP23s



all dimensions mm

order number	drawing number	modi.	sheet
130B9042	Z791312008	c	1/1

Please observe protection clause to ISO 16016