

additional informations:
 filter colour : zinc plated steel
 filter weight : 11,2kg

label:

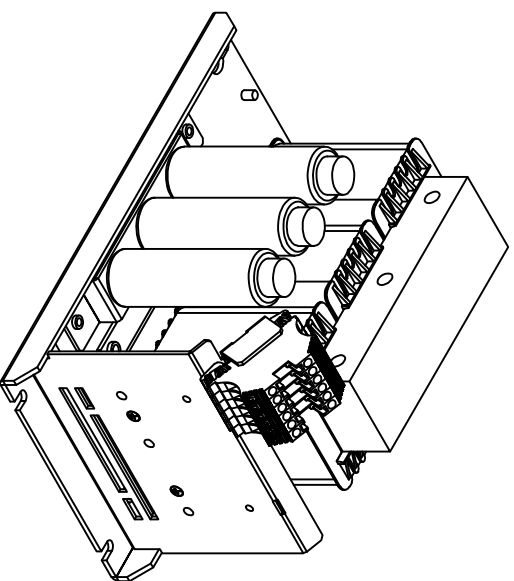
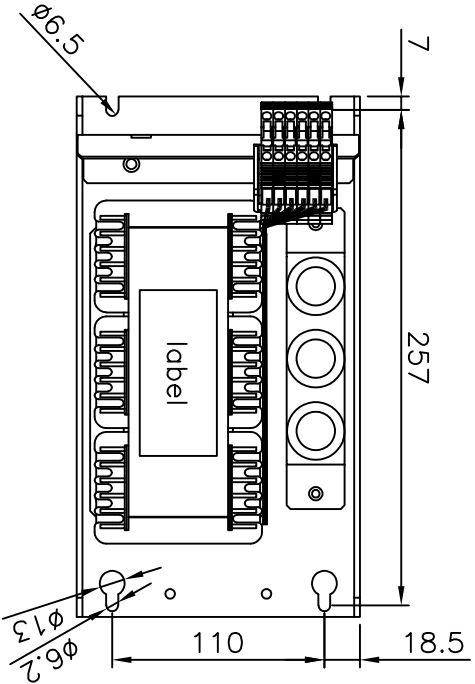
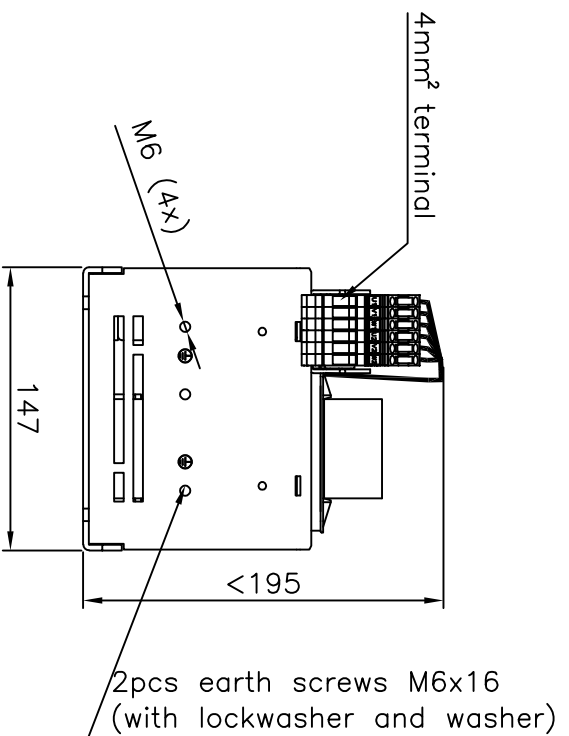
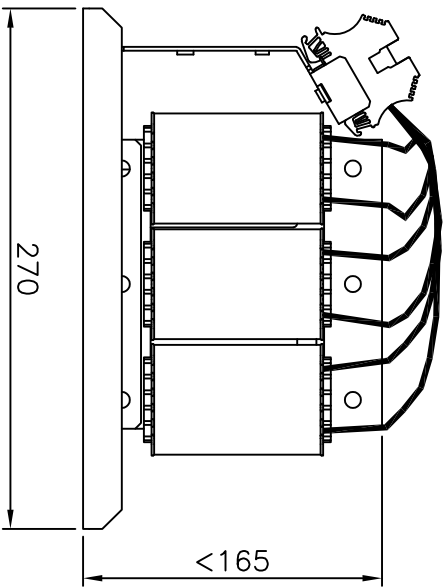
VLT MCC 101 sine wave FILTER
 www.danfoss.com Danfoss A/S 8450 Nordborg Denmark

T/C: MCC101A10K1TE00B S/N: 000106-188
 P/N: 130B7289
 3x 10A@60Hz 9A@50Hz / 7A@10Hz
 Chassis/POD T/air: 45°C/113°F
 131857289001158-135

MADE IN GERMANY
 L48 11PF
 1.2mV
 1000Hz
 P/loss: 104W
 Weight: 11.2kg
 Tightening torque
 terminal: 0.5Nm
 term. cap: 0.1µF

Use only with a type 1 or type 2 SPD overvoltage control device

E 21002 End Cont. Eq. 11ED B1121247 F.A.M.: 003000 EN 61558
 UL US Underwriters Laboratories



d 04.05.16	Schr./File	typelable updated, Danfoss Postaddress included
c 20.06.15	Schr./File	typelable updated
b 17.11.14	Schr./File	typelable updated
a 13.08.13	Kor./File.	cabling updated
date	name	amendment

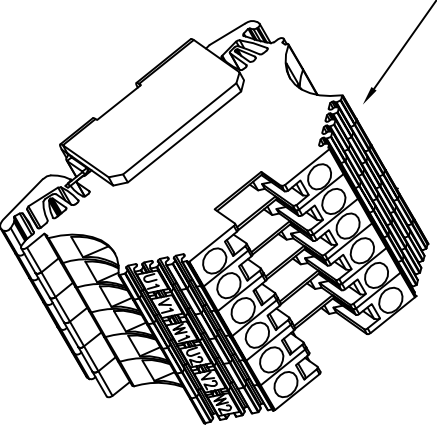
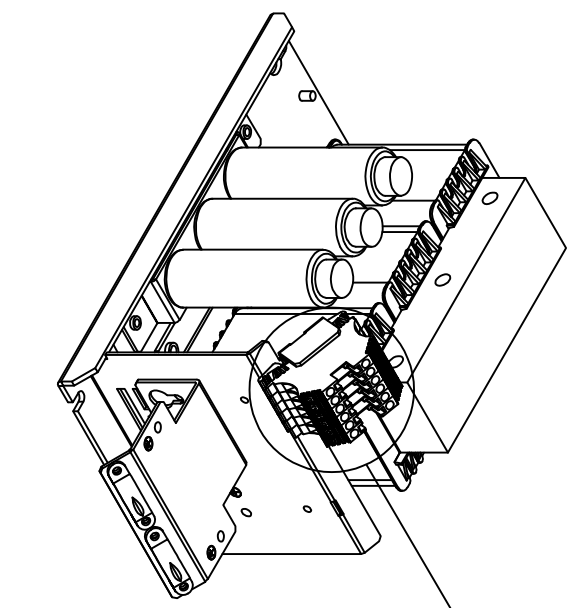
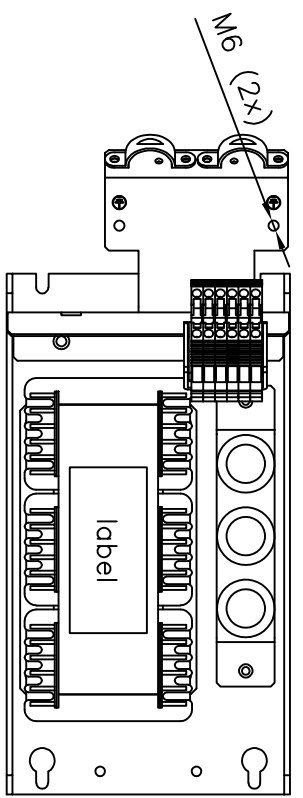
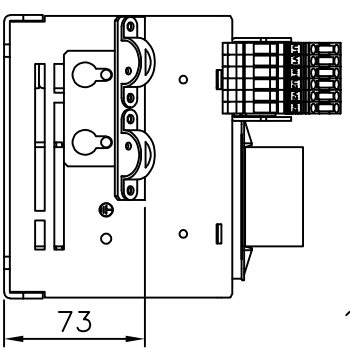
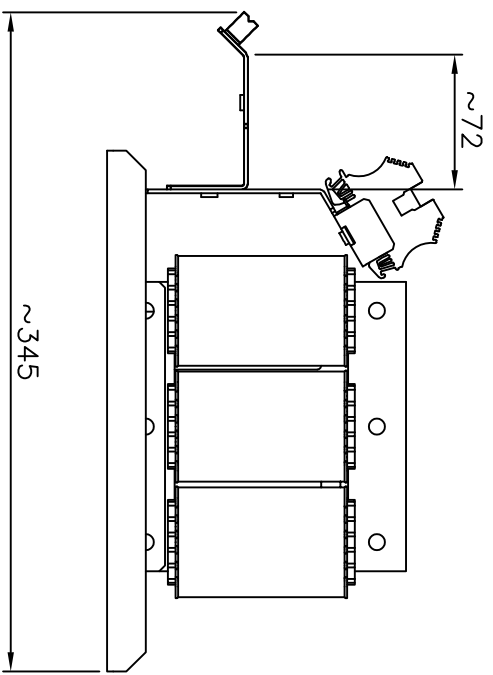
Dimensions toleranced according to ISO 2768-m						
Tolerance class	0.5 to 3	from 3 to 6	from 6 to 30	from 30 to 120	from 120 to 400	from 400 to 1000
	m (middle)	±0.1	±0.1	±0.2	±0.3	±0.5

drawn	19.02.13	Korrau	Korrau	scale	1:4
checked	19.02.13	Bremer	Bremer	format	A4
date			signature		

DIN ISO 5456
 All dimensions mm

Dimensions B 1212047
 sine wave filter 690V 10A – IP00
 order number 130B7289
 drawing number Z791302003
 mod.: d
 sheet 1/2
 Please observe protection clause to ISO 16016

included accessories
(screen connection plate)



d 04.05.16	Schr./File	type/label updated, Dantross Postaddress included
c 20.06.15	Schr./File	type/label updated
b 17.11.14	Schr./File	type/label updated
a 13.08.13	Kor./File.	cabling updated
date	name	amendment

Dimensions toleranced according to ISO 2768-m						
Tolerance class	0.5 to 3	from 3 to 6	from 6 to 30	from 30 to 120	from 120 to 400	from 400 to 1000
m (middle)	±0.1	±0.1	±0.2	±0.3	±0.5	±0.8

drawn	19.02.13	Korrau	Korrau	scale	1:4
checked	19.02.13	Bremer	Bremer	format	A4
date		name	signature		

Dimensions B 1212047
sine wave filter 690V 10A – IP00

order number	130B7289	drawing number	Z791302003	mod.	d	sheet	2/2
--------------	----------	----------------	------------	------	---	-------	-----

DIN ISO 5456
all dimensions mm

Please observe protection clause to ISO 16016